

SF-5EP1N8A9LDL - Coupler connector



1605510

<https://www.phoenixcontact.com/in/products/1605510>

Please be informed that the data shown in this PDF document is generated from our Online Catalog. Please find the complete data in the user documentation. Our General Terms of Use for Downloads are valid.



Coupler connector, straight long, for standard and SPEEDCON interlock, M23, number of positions: 5+PE, type of contact: Pin, shielded: yes, degree of protection: IP67, cable diameter range: 7.5 mm ... 18 mm, Compatible with mating connectors with SPEEDCON or M23 standard knurled nuts, number of positions: 6, connection method: Crimp connection, series: SF, Alternative product in accordance with RoHS II without Exemption 6c (Pb <0.1%) item no.: 1241902

Your advantages

- Consistent EMC protection for reliable connection solutions in the industrial environment
- Crimping connection: vibration- and temperature-resistant assembly
- Flexible use: reliably connect cable diameters of 7.5 mm ... 18 mm

Commercial Data

Item number	1605510
Packing unit	1 pc
Minimum order quantity	1 pc
Sales Key	ABR
Product Key	ABRCBC
Catalog Page	Page 155 (C-2-2019)
GTIN	4046356253246
Weight per Piece (including packing)	117.2 g
Weight per Piece (excluding packing)	55.05 g
Customs tariff number	85366990
Country of origin	DE

SF-5EP1N8A9LDL - Coupler connector



1605510

<https://www.phoenixcontact.com/in/products/1605510>

Technical Data

Notes

Order information:	Order crimp contacts 6 x Ø 2 mm separately
--------------------	--

Safety note

Safety note	WARNING: The connectors may not be plugged in or disconnected under load. Ignoring the warning or improper use may damage persons and/or property.
	• WARNING: Commission properly functioning products only. The products must be regularly inspected for damage. Decommission defective products immediately. Replace damaged products. Repairs are not possible.
	• WARNING: Only electrically qualified personnel may install and operate the product. They must observe the following safety notes. The qualified personnel must be familiar with the basics of electrical engineering. They must be able to recognize and prevent danger. The relevant symbol on the packaging indicates that only personnel familiar with electrical engineering are allowed to install and operate the product.
	• The products are suitable for applications in plant, controller, and electrical device engineering.
	• When operating the connectors in outdoor applications, they must be separately protected against environmental influences.
	• Assembled products may not be manipulated or improperly opened.
	• Only use mating connectors that are specified in the technical data of the standards listed (e.g. the ones listed in the product accessories online at phoenixcontact.com/products).
	• When using the product in direct connection with third-party manufacturers, the user is responsible.
	• For operating voltages > 50 V AC, conductive connector housings must be grounded
	• Ensure that the protective or functional ground has been properly connected.
	• VDE 0100/1.97 § 411.1.3.2 and DIN EN 60 204/11.98 § 14.1.3 are applicable when combining several circuits in a cable and/or connector
	• Only use tools recommended by Phoenix Contact
	• The installation notes/Design In documents online on the download page at phoenixcontact.com/products must be observed for this product.
	• Operate the connector only when it is fully plugged in and interlocked.

SF-5EP1N8A9LDL - Coupler connector



1605510

<https://www.phoenixcontact.com/in/products/1605510>

warnings (e.g. DIN EN ISO 13732-1:2008-12).

Product properties

Product type	Circular connector (cable-side)
Number of positions	6
Connection profile	5+PE
Application	Power
Locking type	for standard and SPEEDCON interlock
Series	SF
Shielded	yes
Coding	N
Thread type	M23

Material specifications

Seal material	FPM
Housing material	Turned parts: copper zinc alloy (CuZn), die-cast parts: zinc (GD-Zn)
Insulator material	PA 6.6
Gasket and O-ring material	FPM
Housing material	Metal

Connection data

Conductor connection

Connection method	Crimp connection
-------------------	------------------

Electrical properties

Contact

Contact diameter	2 mm
Max. current	30 A
Nominal voltage U_N	630 V
Overvoltage category	III
Degree of pollution	3
Rated surge voltage	6 kV

Contact

Contact diameter	2 mm
Overvoltage category	III
Degree of pollution	3
Rated surge voltage	6 kV

Connector

Type	straight long
------	---------------

Cable/line

External cable diameter	7.5 mm ... 18 mm
-------------------------	------------------

SF-5EP1N8A9LDL - Coupler connector



1605510

<https://www.phoenixcontact.com/in/products/1605510>

Environmental and real-life conditions

Ambient conditions

Degree of protection	IP67
Ambient temperature (operation)	-40 °C ... 125 °C
Altitude	3000 m

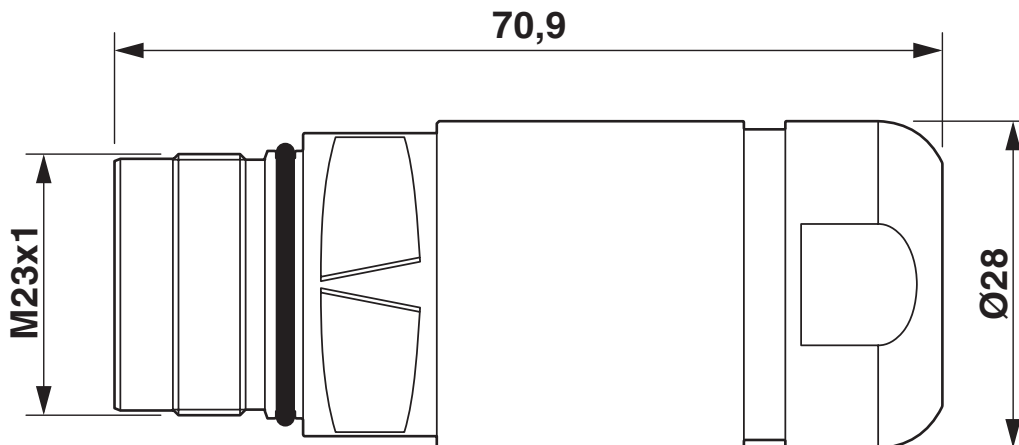
SF-5EP1N8A9LDL - Coupler connector

1605510

<https://www.phoenixcontact.com/in/products/1605510>

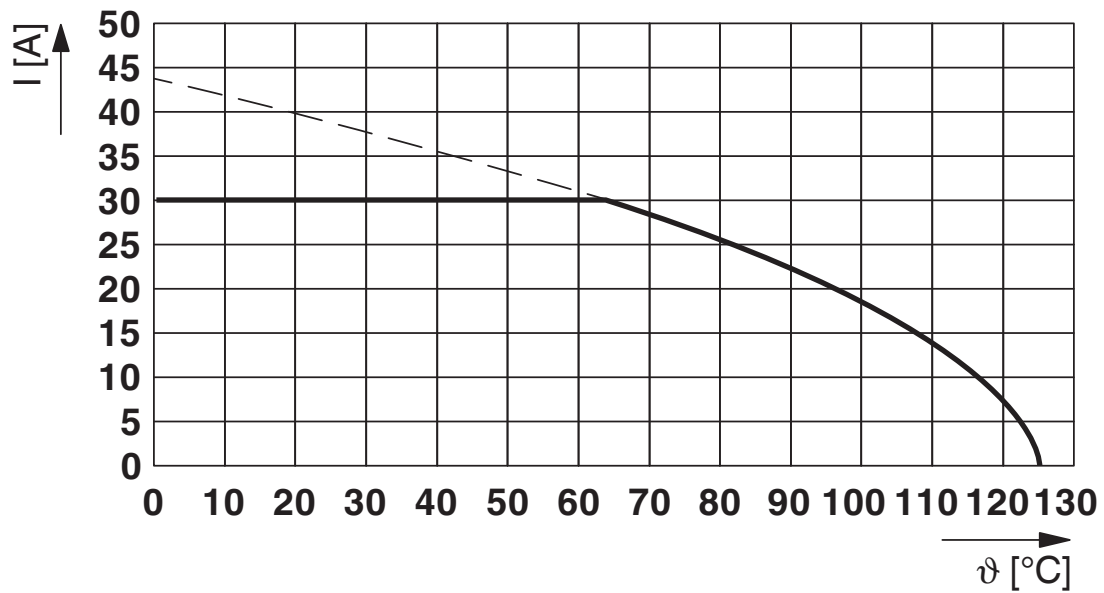
Drawings

Dimensional drawing



Dimensional drawing

Diagram

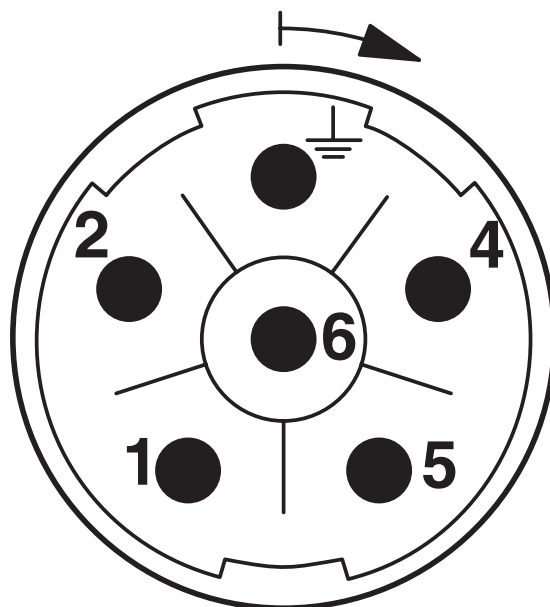


SF-5EP1N8A9LDL - Coupler connector

1605510

<https://www.phoenixcontact.com/in/products/1605510>

Schematic diagram



Connector pin assignment

SF-5EP1N8A9LDL - Coupler connector




1605510

<https://www.phoenixcontact.com/in/products/1605510>

Approvals

 cUL Recognized Approval ID: E153698-20041116				
	Nominal Voltage U_N	Nominal Current I_N	Cross Section AWG	Cross Section mm^2
	600 V	18 A	- 12	-

 UL Recognized Approval ID: E153698-20041116				
	Nominal Voltage U_N	Nominal Current I_N	Cross Section AWG	Cross Section mm^2
	600 V	27 A	- 12	-

 EAC Approval ID: B.01687				

SF-5EP1N8A9LDL - Coupler connector



1605510

<https://www.phoenixcontact.com/in/products/1605510>

Classifications

ECLASS

ECLASS-11.0	27440102
ECLASS-12.0	27440116
ECLASS-13.0	27440116

ETIM

ETIM 8.0	EC002635
----------	----------

UNSPSC

UNSPSC 21.0	39121400
-------------	----------

SF-5EP1N8A9LDL - Coupler connector



1605510

<https://www.phoenixcontact.com/in/products/1605510>

Environmental Product Compliance

REACH SVHC	Lead 7439-92-1
China RoHS	Environmentally Friendly Use Period = 50 years
	For information on hazardous substances, refer to the manufacturer's declaration available under "Downloads"

SF-5EP1N8A9LDL - Coupler connector

1605510

<https://www.phoenixcontact.com/in/products/1605510>

Accessories

SF-7RP2000 - Crimp contact

1605646

<https://www.phoenixcontact.com/in/products/1605646>



Crimp contact, Pin, turned, Single contact, contact diameter: 2 mm, crimp range: 0.14 mm² ... 0.25 mm², Alternative product in accordance with RoHS II without Exemption 6c (Pb <0.1%) item no.: 1241951

SF-7PP2000 - Crimp contact

1605634

<https://www.phoenixcontact.com/in/products/1605634>



Crimp contact, Pin, turned, Single contact, contact diameter: 2 mm, crimp range: 0.25 mm² ... 1 mm², Alternative product in accordance with RoHS II without Exemption 6c (Pb <0.1%) item no.: 1241951

SF-5EP1N8A9LDL - Coupler connector

1605510

<https://www.phoenixcontact.com/in/products/1605510>

SF-20KP004 - Crimp contact

1607376

<https://www.phoenixcontact.com/in/products/1607376>



Crimp contact, Pin, turned, contact diameter: 2 mm, crimp range: 0.75 mm² ... 1.5 mm², Alternative product in accordance with RoHS II without Exemption 6c (Pb <0.1%) item no.: 1241953

SF-7QP2000 - Crimp contact

1605639

<https://www.phoenixcontact.com/in/products/1605639>



Crimp contact, Pin, turned, Single contact, contact diameter: 2 mm, crimp range: 1 mm² ... 2.5 mm², Alternative product in accordance with RoHS II without Exemption 6c (Pb <0.1%) item no.: 1241953

SF-5EP1N8A9LDL - Coupler connector

1605510

<https://www.phoenixcontact.com/in/products/1605510>



SF-7MP2000 - Crimp contact

1605626

<https://www.phoenixcontact.com/in/products/1605626>



Crimp contact, Pin, turned, Single contact, contact diameter: 2 mm, crimp range: 4 mm² ... 4 mm², Alternative product in accordance with RoHS II without Exemption 6c (Pb <0.1%) item no.: 1241948

SF-Z0019 - Protective cap

1607449

<https://www.phoenixcontact.com/in/products/1607449>



Plastic protection cap, with eye, IP40 for connectors with M23 external thread, RF, SF series

SF-5EP1N8A9LDL - Coupler connector

1605510

<https://www.phoenixcontact.com/in/products/1605510>



RC-Z2059 - Protective cap

1604225

<https://www.phoenixcontact.com/in/products/1604225>

Plastic protection cap for connectors with M23 external thread



RC-Z2469 - Protective cap

1611797

<https://www.phoenixcontact.com/in/products/1611797>

Plastic protection cap, antistatic, for RF, SF, CA, RC series connectors, with M23 external thread



SF-5EP1N8A9LDL - Coupler connector

1605510

<https://www.phoenixcontact.com/in/products/1605510>

SC-Z2319 - Metal protective cap

1605456

<https://www.phoenixcontact.com/in/products/1605456>

Metal protection cap for power connectors with M23 external thread



SC-Z2320 - Metal protective cap

1605457

<https://www.phoenixcontact.com/in/products/1605457>

Metal protection cap with steel wire for power connectors with M23 external thread



SF-5EP1N8A9LDL - Coupler connector

1605510

<https://www.phoenixcontact.com/in/products/1605510>

SF-Z0064 - Color-coding

1620585

<https://www.phoenixcontact.com/in/products/1620585>

Color-coding, color: green



SF-Z0065 - Color-coding

1620586

<https://www.phoenixcontact.com/in/products/1620586>

Color-coding, color: orange



SF-5EP1N8A9LDL - Coupler connector

1605510

<https://www.phoenixcontact.com/in/products/1605510>



SF-Z0066 - Color-coding

1620587

<https://www.phoenixcontact.com/in/products/1620587>

Color-coding, color: black



SF-Z0068 - Square mounting flange

1620927

<https://www.phoenixcontact.com/in/products/1620927>



Square mounting flange, 4xM3, flange dimensions: 38 mm x 38 mm, series: SF, Alternative product in accordance with RoHS II without Exemption 6c (Pb <0.1%) item no.: 1244326

Phoenix Contact 2023 © - all rights reserved
<https://www.phoenixcontact.com>

PHOENIX CONTACT (I) Pvt. Ltd.
A-58/2, Okhla Industrial Area, Phase - II, New Delhi-110 020

+91.1275.71420
info@phoenixcontact.co.in