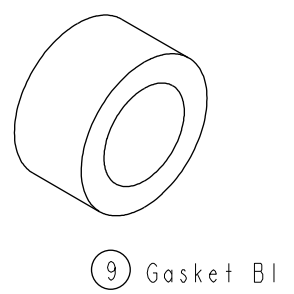
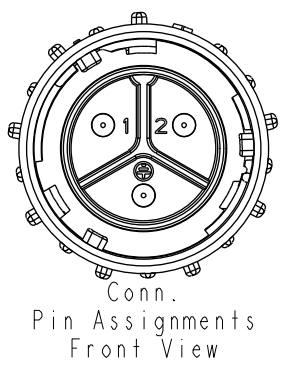
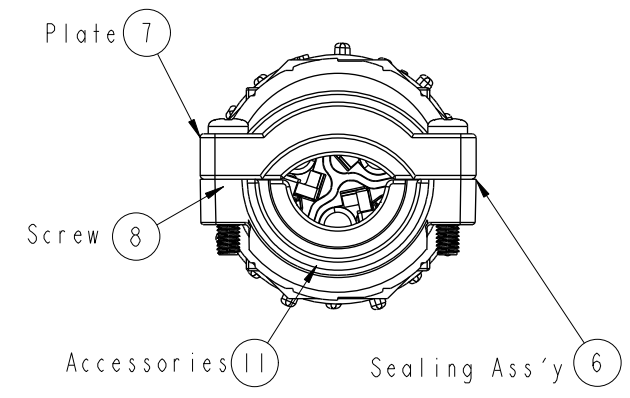
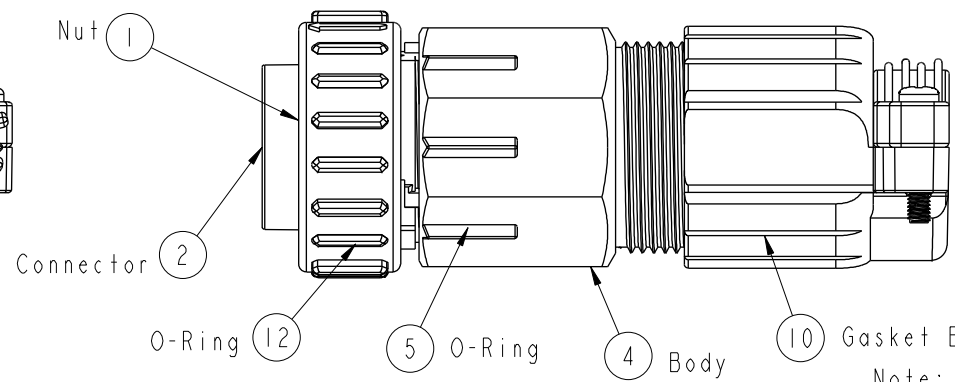
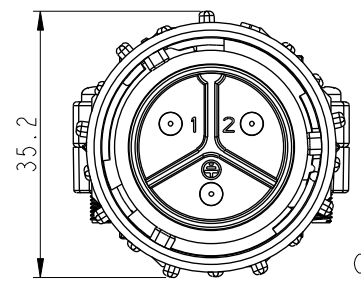
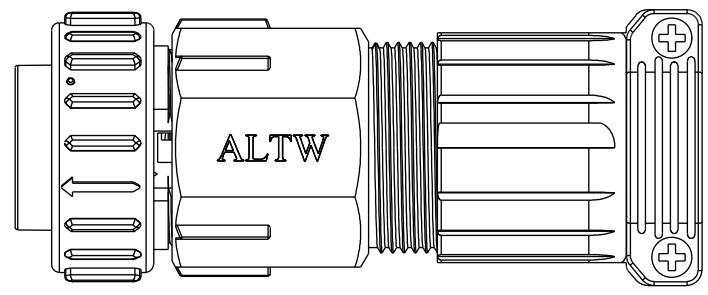
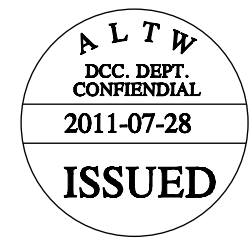
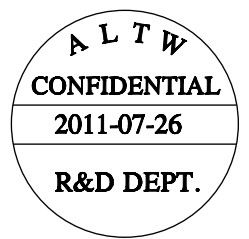


THIS DOCUMENT IS SUBJECT TO CHANGE WITHOUT NOTICE. IT IS CONFIDENTIAL AND A PROPERTY OF LTW. DISCLOSURE TO THIRD PARTY HAS TO BE AUTHORIZED BY LTW.

| | | | | |
|------|---------|------------|------|---------------------------|
| REV. | ECN NO. | DATE | SIGN | DESCRIPTION |
| A | | 2011-05-12 | Ann | SAM-PWR-C0814 TO NEW ITEM |



- Note:
- * (QC)important Dimension To Check.
 - * Waterproof Rate : IP67
 - * Connector: PPE , Black
 - * Female Pin:Copper Alloy,Tin Plated
 - * Current Rating: 30A(Max.)
 - * Rated Voltage:300V
 - * Recommended Gauge: 8awg~14awg
 - * Lock Nut: PPE , Black
 - * O-Ring & Gasket:Silicone , Gary
 - * Cable OD Max: B1:∅10~∅14.5mm
B2:∅14.5~∅19mm
 - * Screw of Salt Spray Test : 720 hours.
 - * Accessories:PP ,Black, Use for Cable OD 10~14mm
 - * One Set assembled and Gasket (B1) in one PE Bag.

| | | | | | |
|-----------|------------|----------|--------------------------------------|----------------|---------------------|
| UNIT:mm | | | TITLE POWER CONNECTOR CABLE ASS'Y | | |
| TOLERANCE | .X ±0.25 | .XX ±0.1 | SCALE 1:1 | SIZE A4 | SHEET 1 OF 1 |
| ANGLES | .XXX ±0.05 | ±1° | REV. A | WC-REV. A.1 | QC: Inspection item |

Amphenol LTW
安費諾亮泰企業股份有限公司

| | | |
|-------------------------------|----------------------|--------------------|
| ITEM NO. PWL-03BFMA-TL7001 | DRAWN BY Ann | DATE 2011-07-26 |
| DWG NO. PWL-03BFMA-TL7001 | CHECKED BY Doreen | DATE 2011-07-26 |
| CUSTOMER ALTW | APPROVED BY Kevin | DATE 2011-07-26 |