

# Product datasheet

Specifications



Monolithic tower lights, Easy Harmony XVG, 60mm, red, flashing light, buzzer, short aluminium tube mounting and L bracket, IP23, 24V AC/DC

XVGB1SFA

## Main

Range Of Product	Easy Harmony XVG
Product Or Component Type	Complete pre-wired monolithic tower light
Beacon Or Indicator Bank Unit Type	1 illuminated unit
Material	PC (UL94 V-2): globe
Mounting Diameter	60 mm
Component Name	XVG
Device Mounting	Tube with L bracket
Light Source	LED flashing
Light Block Color	Red
Indicator Bank Base Type	Base with integrated buzzer

## Complementary

Rated Supply Voltage	24 V AC/DC
Cable Cross Section	0.33 mm <sup>2</sup>
Discrete Output Type	PNP and NPN
[Uimp] Rated Impulse Withstand Voltage	0.5 kV
Current Consumption	104 mA
Noise Level	85 dB
Power Consumption In W	2.9 W
Fundamental Frequency	2.64 kHz
Net Weight	0.34 kg

## Environment

Product Certifications	CE EAC
Ambient Air Temperature For Storage	-35...70 °C
Ambient Air Temperature For Operation	-10...50 °C
Electrical Shock Protection Class	Class II
Ip Degree Of Protection	IP23

## Packing Units

<b>Unit Type Of Package 1</b>	PCE
<b>Number Of Units In Package 1</b>	1
<b>Package 1 Height</b>	13.82 cm
<b>Package 1 Width</b>	8.0 cm
<b>Package 1 Length</b>	41.38 cm
<b>Package 1 Weight</b>	510.0 g
<b>Unit Type Of Package 2</b>	S06
<b>Number Of Units In Package 2</b>	30
<b>Package 2 Height</b>	73.5 cm
<b>Package 2 Width</b>	60.0 cm
<b>Package 2 Length</b>	80.0 cm
<b>Package 2 Weight</b>	25.66 kg

## Contractual warranty

<b>Warranty</b>	18 months
-----------------	-----------

## Sustainability

**Green Premium™ label** is Schneider Electric's commitment to delivering products with best-in-class environmental performance. Green Premium promises compliance with the latest regulations, transparency on environmental impacts, as well as circular and low-CO<sub>2</sub> products.

**Guide to assessing product sustainability** is a white paper that clarifies global eco-label standards and how to interpret environmental declarations.

[Learn more about Green Premium >](#)

[Guide to assess a product's sustainability >](#)



Transparency RoHS/REACH

## Well-being performance

Mercury Free

RoHS Exemption Information Yes

## Certifications & Standards

Reach Regulation [REACH Declaration](#)

Eu RoHS Directive Pro-active compliance (Product out of EU RoHS legal scope)

China RoHS Regulation [China RoHS declaration](#)

Environmental Disclosure [Product Environmental Profile](#)

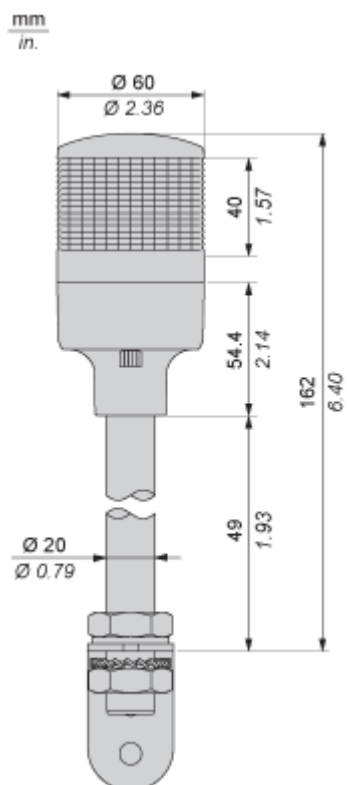
Weee The product must be disposed on European Union markets following specific waste collection and never end up in rubbish bins

Circularity Profile [End of Life Information](#)

Dimensions Drawings

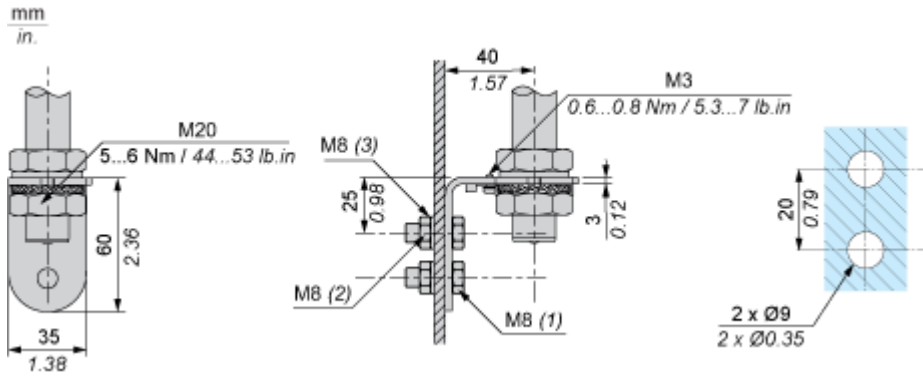
Dimensions

---



Mounting and Clearance

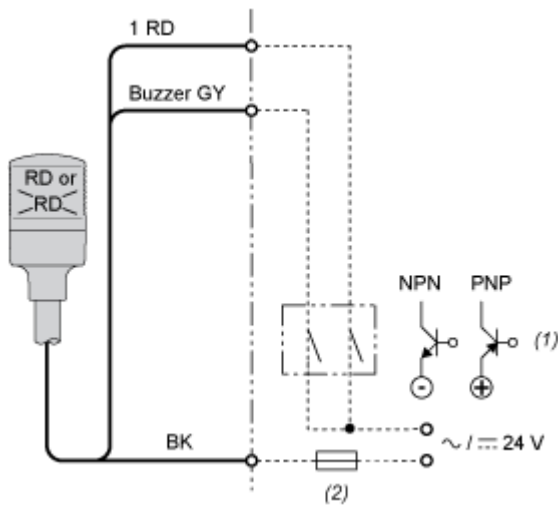
Mounting



- (1) Thickness +10 mm/0.39 in
- (2) Hexagon Nut
- (3) Washer

Connections and Schema

Wiring



(1) "ON" for lighting and/or applying continuous sound.

(2) Fuse (rated current: 0.5 A)

RD : Red

GY : Grey

BK : Black