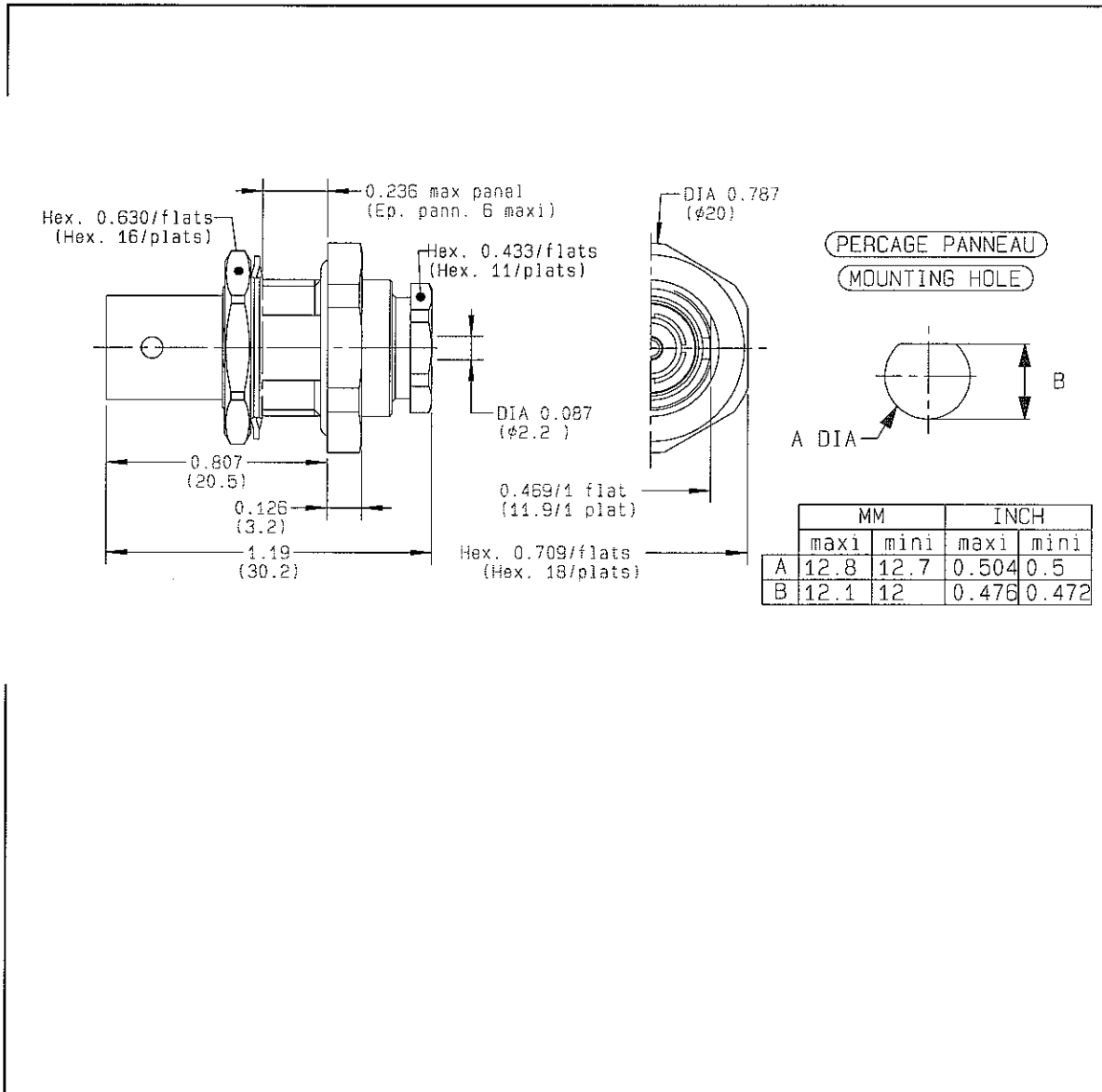


STRAIGHT BULKHEAD JACK PANEL SEAL

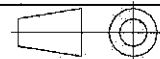
REAR MOUNT CLAMP TYPE - CABLE 2/50 S

R141.323.000

Series : BNC



All dimensions are in mm.



COMPONENTS	MATERIALS	PLATING (µm)
BODY	BRASS	NICKEL 2
CENTER CONTACT	BERYLLIUM COPPER	GOLD 0.5 OVER NICKEL 2
OUTER CONTACT	-	-
INSULATOR	PTFE	-
GASKET	SILICONE RUBBER	-
OTHERS PARTS	BRASS	NICKEL 2
-	-	-
-	-	-

Issue : 0523 C

In the effort to improve our products, we reserve the right to make changes judged to be necessary.



STRAIGHT BULKHEAD JACK PANEL SEAL

REAR MOUNT CLAMP TYPE - CABLE 2/50 S

R141.323.000

Series : BNC

PACKAGING

Standard	Unit	Other
100	'W' option	Contact us

SPECIFICATION

ELECTRICAL CHARACTERISTICS

Impedance		50 Ω
Frequency		0-4 GHz
VSWR	1.59 +	0.000 x F(GHz) Maxi
Insertion loss		.115 √F(GHz) dB Maxi
RF leakage	- (AD - F(GHz)) dB Maxi
Voltage rating		335 Veff Maxi
Dielectric withstanding voltage		1000 Veff mini
Insulation resistance		5000 MΩ mini

CABLE ASSEMBLY

Stripping	a	b	c	d	e	f
mm	4.00	2.00	9.00	3.00	5.00	0.00

Assembly instruction : **Clamp 01**

Recommended cable(s)

RG 178
RG 196
RG 178 LC
KX 21
3M

Characteristics indicated on this data sheet are those that can be achieved with the highest performance cable. Intrinsic limitations of the cable may diminish the performance of the assembly

Cable retention

- pull off **58** N mini
- torque - N.cm

MECHANICAL CHARACTERISTICS

Center contact retention

Axial force – Mating end	27 N mini
Axial force – Opposite end	27 N mini
Torque	NA N.cm mini

Recommended torque

Mating	NA N.cm
Panel nut	370 N.cm
Clamp nut	150 N.cm
A/F clamp nut	11.000 mm

Mating life	0 Cycles mini
Weight	0.000 g

TOOLING

Part Number	Description	Hexagon
.	.	.

OTHER CHARACTERISTICS

-

ENVIRONMENTAL

Operating temperature	-65/+165 ° C
Hermetic seal	NA Atm.cm3/s
Panel leakage	RUISS

Issue : 0523 C

In the effort to improve our products, we reserve the right to make changes judged to be necessary.



RADIALL®