

A 6 -12 - Ferrule

3200328

<https://www.phoenixcontact.com/in/products/3200328>

Please be informed that the data shown in this PDF document is generated from our Online Catalog. Please find the complete data in the user documentation. Our General Terms of Use for Downloads are valid.

Ferrule, length: 12 mm, color: silver



Commercial Data

Item number	3200328
Packing unit	500 pc
Minimum order quantity	500 pc
Sales Key	BH3
Product Key	BH3412
Catalog Page	Page 480 (C-3-2019)
GTIN	4017918093976
Weight per Piece (including packing)	0.24 g
Weight per Piece (excluding packing)	0.2 g
Customs tariff number	85369010
Country of origin	DE

A 6 -12 - Ferrule

3200328

<https://www.phoenixcontact.com/in/products/3200328>



Technical Data

Product properties

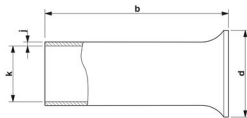
Product type	Cable end sleeve
Conductor category	stranded conductors, class 2, 5, 6 / B, C, K, M

Connection data

Conductor connection

Conductor cross section flexible max.	6 mm ²
Conductor cross section AWG max.	10
Stripping length	12 mm

Dimensions

Dimensional drawing	
Length	12 mm
Maximum stripping length	12 mm
Ferrule diameter	3.5 mm
Sleeve wall thickness	0.2 mm
Inner dimensions of the insulating collar	4.7 mm

Material specifications

Color	silver
Material	CU-DHP
Coating	tin-plated (galvanic)

Environmental and real-life conditions

Ambient conditions

Permanent temperature	105 °C
Short-term temperature	120 °C

Standards and regulations

Design according to standard	DIN 46228-1, UL 486F-A
------------------------------	------------------------

A 6 -12 - Ferrule

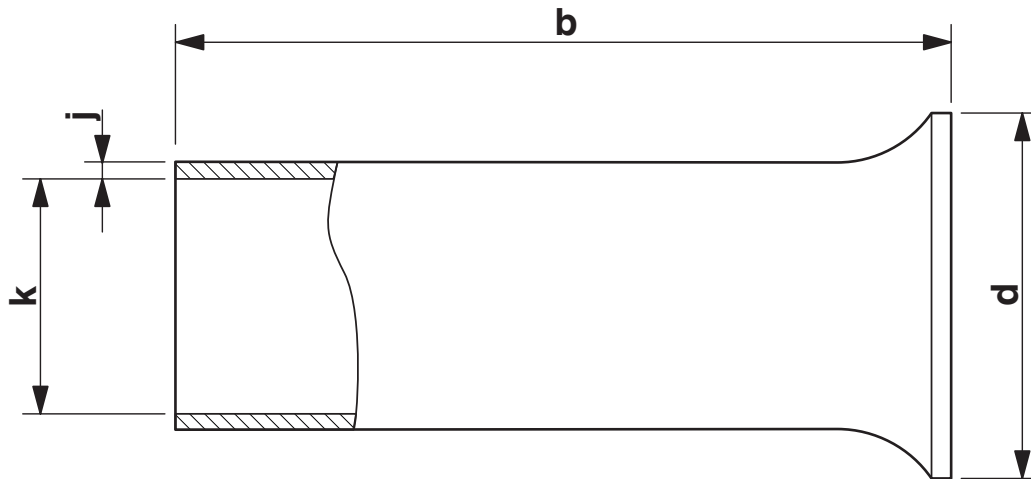
3200328

<https://www.phoenixcontact.com/in/products/3200328>



Drawings

Dimensional drawing



Sleeve length (b), insulating collar inner dimension (d), sleeve diameter (k), sleeve wall thickness (j)

A 6 -12 - Ferrule

3200328

<https://www.phoenixcontact.com/in/products/3200328>



Approvals



UL Listed

Approval ID: E488001



cUL Listed

Approval ID: E488001

A 6 -12 - Ferrule

3200328

<https://www.phoenixcontact.com/in/products/3200328>



Classifications

ECLASS

ECLASS-11.0

27400201

ETIM

ETIM 8.0

EC000005

UNSPSC

UNSPSC 21.0

27121700

A 6 -12 - Ferrule

3200328

<https://www.phoenixcontact.com/in/products/3200328>



Environmental Product Compliance

China RoHS	Environmentally friendly use period: unlimited = EFUP-e
	No hazardous substances above threshold values

A 6 -12 - Ferrule

3200328

<https://www.phoenixcontact.com/in/products/3200328>



Accessories

CRIMPFOX CENTRUS 6S - Crimping pliers

1213144

<https://www.phoenixcontact.com/in/products/1213144>



Crimping pliers, for uninsulated and insulated ferrules, DIN 46228 Part 1 and 4, from 0.14 mm² ... 6 mm², also for TWIN ferrules up to 2 x 4 mm², automatic cross section adjustment, lateral insertion, equipped with fall protection

CRIMPFOX CENTRUS 6H - Crimping pliers

1213146

<https://www.phoenixcontact.com/in/products/1213146>



Crimping pliers, for uninsulated and insulated ferrules, DIN 46228 Part 1 and 4, from 0.14 mm² ... 6 mm², also for TWIN ferrules up to 2 x 4 mm², automatic cross section adjustment, lateral insertion, equipped with fall protection

A 6 -12 - Ferrule

3200328

<https://www.phoenixcontact.com/in/products/3200328>



CRIMPFOX CENTRUS 10S - Crimping pliers

1213154

<https://www.phoenixcontact.com/in/products/1213154>



Crimping pliers, for uninsulated and insulated ferrules, DIN 46228 Part 1 and 4, from 0.14 mm² ... 10 mm², also for TWIN ferrules up to 2 x 4 mm², automatic cross section adjustment, lateral insertion, equipped with fall protection

CRIMPFOX CENTRUS 10H - Crimping pliers

1213156

<https://www.phoenixcontact.com/in/products/1213156>



Crimping pliers, for uninsulated and insulated ferrules, DIN 46228 Part 1 and 4, from 0.14 mm² ... 10 mm², also for TWIN ferrules up to 2 x 4 mm², automatic cross section adjustment, lateral insertion, equipped with fall protection

A 6 -12 - Ferrule

3200328

<https://www.phoenixcontact.com/in/products/3200328>

CRIMPFOX 10S - Crimping pliers

1212045

<https://www.phoenixcontact.com/in/products/1212045>



Crimping pliers, for ferrules without insulating collar according to DIN 46228 Part 1 and ferrules with insulating collar according to DIN 46228 Part 4, 0.14 mm² ... 10 mm², unlockable pressure lock, lateral entry

CRIMPFOX 6H - Crimping pliers

1212046

<https://www.phoenixcontact.com/in/products/1212046>



Crimping pliers, for ferrules without insulating collar according to DIN 46228 Part 1 and ferrules with insulating collar according to DIN 46228 Part 4, 0.14 mm² ... 6 mm², unlockable pressure lock, lateral entry

A 6 -12 - Ferrule

3200328

<https://www.phoenixcontact.com/in/products/3200328>



CRIMPFOX 6-M - Crimping pliers

1212720

<https://www.phoenixcontact.com/in/products/1212720>



Crimping pliers, for ferrules without insulating collar according to DIN 46228 Part 1 and ferrules with insulating collar according to DIN 46228 Part 4, 0.25 mm² ... 6.0 mm², lateral entry, trapezoidal crimp

CRIMPFOX 6 - Crimping pliers

1212034

<https://www.phoenixcontact.com/in/products/1212034>



Crimping pliers, for ferrules without insulating collar according to DIN 46228 Part 1 and ferrules with insulating collar according to DIN 46228 Part 4, 0.25 mm² ... 6.0 mm², lateral entry, trapezoidal crimp

A 6 -12 - Ferrule

3200328

<https://www.phoenixcontact.com/in/products/3200328>

CRIMPFOX 6T - Crimping pliers

1212037

<https://www.phoenixcontact.com/in/products/1212037>



Crimping pliers, for ferrules without insulating collar according to DIN 46228 Part 1 and ferrules with insulating collar according to DIN 46228 Part 4, 0.25 mm² ... 6 mm², lateral entry, trapezoidal crimp

CRIMPFOX 6T-F - Crimping pliers

1212038

<https://www.phoenixcontact.com/in/products/1212038>



Crimping pliers, for ferrules without insulating collar according to DIN 46228 Part 1 and ferrules with insulating collar according to DIN 46228 Part 4, 0.25 mm² ... 6 mm², front entry, trapezoidal crimp

A 6 -12 - Ferrule

3200328

<https://www.phoenixcontact.com/in/products/3200328>



CRIMPFOX 6S-F - Crimping pliers

1212043

<https://www.phoenixcontact.com/in/products/1212043>



Crimping pliers, for ferrules without insulating collar according to DIN 46228 Part 1 and ferrules with insulating collar according to DIN 46228 Part 4, 0.5 mm² ... 6 mm², front entry, square crimp

CRIMPFOX 16 S - Crimping pliers

1207983

<https://www.phoenixcontact.com/in/products/1207983>



Crimping pliers for ferrules up to 16 mm²

Phoenix Contact 2023 © - all rights reserved
<https://www.phoenixcontact.com>

PHOENIX CONTACT (I) Pvt. Ltd.
A-58/2, Okhla Industrial Area, Phase - II, New Delhi-110 020

+91.1275.71420
info@phoenixcontact.co.in