

# DFK-PC 4/ 8-G-7,62-FS4,8 - Feed-through header



1861219

<https://www.phoenixcontact.com/us/products/1861219>

Please be informed that the data shown in this PDF document is generated from our online catalog. Please find the complete data in the user documentation. Our general terms of use for downloads are valid.



Feed-through header, nominal cross section: 4 mm<sup>2</sup>, color: green, nominal current: 15 A, rated voltage (III/2): 400 V, contact surface: Tin, contact connection type: Pin, number of potentials: 8, number of rows: 1, number of positions: 8, number of connections: 8, product range: DFK-PC 4/..-G -FS4,8, pitch: 7.62 mm, connection method: Spade connection, mounting: Direct mounting, number of solder pins per potential: 1, plug-in system: COMBICON PC 4, Pin connector pattern alignment: Standard, locking: without, mounting: without, type of packaging: packed in cardboard

## Your advantages

- Space-saving, standardized slip-on connection allows worldwide use
- Cable connection on the inside of the device enables flexible positioning of the panel feed-through

## Commercial data

Item number	1861219
Packing unit	1 pc
Minimum order quantity	50 pc
Sales key	AA04
Product key	AADWAA
Catalog page	Page 519 (C-1-2013)
GTIN	4017918125738
Weight per piece (including packing)	18.9 g
Weight per piece (excluding packing)	17.787 g
Customs tariff number	85366990
Country of origin	PL

# DFK-PC 4/ 8-G-7,62-FS4,8 - Feed-through header



1861219

<https://www.phoenixcontact.com/us/products/1861219>

## Technical data

### Product properties

Type	Feed-through header
Product line	COMBICON Connectors L
Product type	Feed-through header
Product family	DFK-PC 4/..-G -FS4,8
Number of positions	8
Pitch	7.62 mm
Number of connections	8
Number of rows	1
Mounting flange	without
Number of potentials	8
Solder pins per potential	1

### Electrical properties

Nominal current $I_N$	15 A
Nominal voltage $U_N$	400 V
Degree of pollution	3
Rated voltage (III/3)	400 V
Rated surge voltage (III/3)	6 kV
Rated voltage (III/2)	400 V
Rated surge voltage (III/2)	6 kV
Rated voltage (II/2)	800 V
Rated surge voltage (II/2)	6 kV

### Mounting

Mounting type	Direct mounting
Connection method	Solder/Slip-on connection

### Material specifications

#### Material data - contact

Note	WEEE/RoHS-compliant, free of whiskers according to IEC 60068-2-82/JEDEC JESD 201
Contact material	Cu alloy
Surface characteristics	Tin-plated
Metal surface contact area (top layer)	Tin (5 - 10 $\mu\text{m}$ Sn)
Metal surface contact area (middle layer)	Nickel (2 - 5 $\mu\text{m}$ Ni)
Metal surface soldering area (top layer)	Tin (5 - 7 $\mu\text{m}$ Sn)
Metal surface soldering area (middle layer)	Nickel (2 - 3 $\mu\text{m}$ Ni)

#### Material data - housing

Color (Housing)	green (6021)
Insulating material	PA

# DFK-PC 4/ 8-G-7,62-FS4,8 - Feed-through header



1861219

<https://www.phoenixcontact.com/us/products/1861219>

Insulating material group	I
CTI according to IEC 60112	600
Flammability rating according to UL 94	V2

## Notes

Notes on operation	In accordance with IEC 61984, COMBICON connectors have no switching power (COC). During designated use, they must not be plugged in or disconnected when carrying voltage or under load.
--------------------	--

## Dimensions

Dimensional drawing	
Pitch	7.62 mm
Width [w]	76.18 mm
Height [h]	14.3 mm
Length [l]	37.35 mm
Installed height	14.3 mm

## Electrical tests

### Air clearances and creepage distances |

Specification	IEC 60664-1:2007-04
Insulating material group	I
Comparative tracking index (IEC 60112)	CTI 600
Rated insulation voltage (III/3)	400 V
Rated surge voltage (III/3)	6 kV
minimum clearance value - non-homogenous field (III/3)	5.5 mm
minimum creepage distance (III/3)	5.5 mm
Rated insulation voltage (III/2)	400 V
Rated surge voltage (III/2)	6 kV
minimum clearance value - non-homogenous field (III/2)	5.5 mm
minimum creepage distance (III/2)	5.5 mm
Rated insulation voltage (II/2)	800 V
Rated surge voltage (II/2)	6 kV
minimum clearance value - non-homogenous field (II/2)	5.5 mm
minimum creepage distance (II/2)	5.5 mm

## Environmental and real-life conditions

### Ambient conditions

Ambient temperature (operation)	-40 °C ... 100 °C (dependent on the derating curve)
Ambient temperature (storage/transport)	-40 °C ... 70 °C

# DFK-PC 4/ 8-G-7,62-FS4,8 - Feed-through header



1861219

<https://www.phoenixcontact.com/us/products/1861219>

Relative humidity (storage/transport)	30 % ... 70 %
Ambient temperature (assembly)	-5 °C ... 100 °C

## Packaging specifications

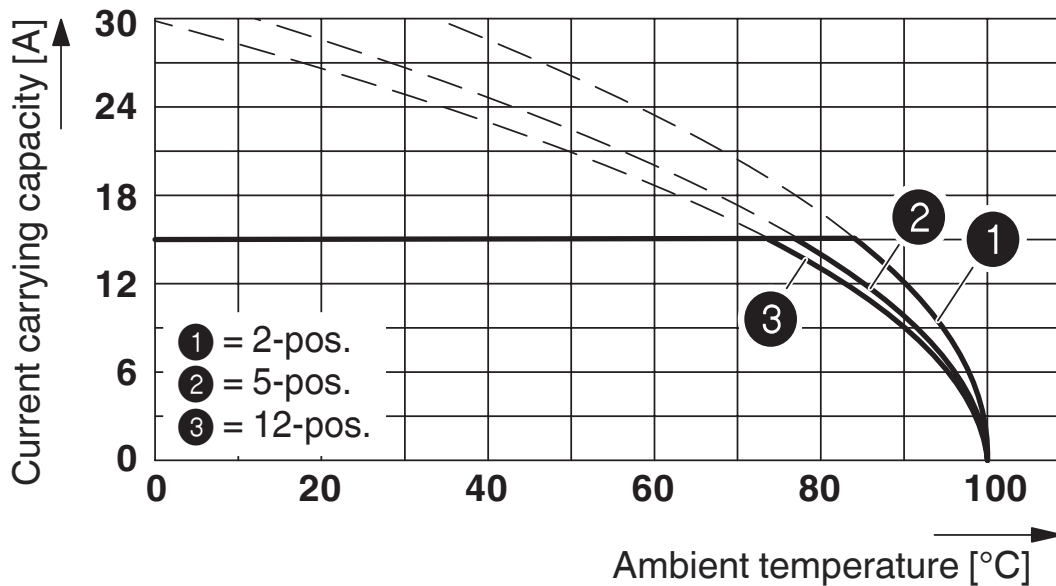
Type of packaging	packed in cardboard
-------------------	---------------------

## Packaging specifications

Type of packaging	packed in cardboard
-------------------	---------------------

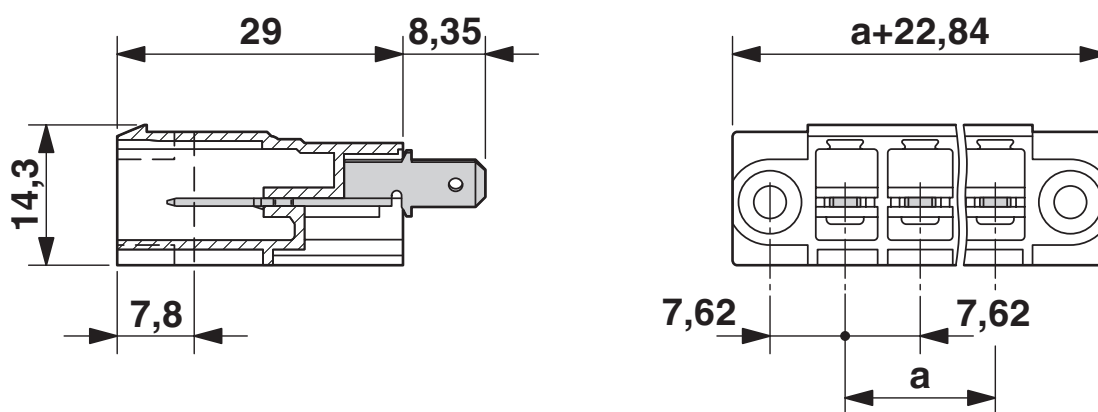
## Drawings

Diagram



Derating curve for: PC 4/...-ST-7,62 with DFK-PC 4/...-G-7,62-FS4,8

Dimensional drawing

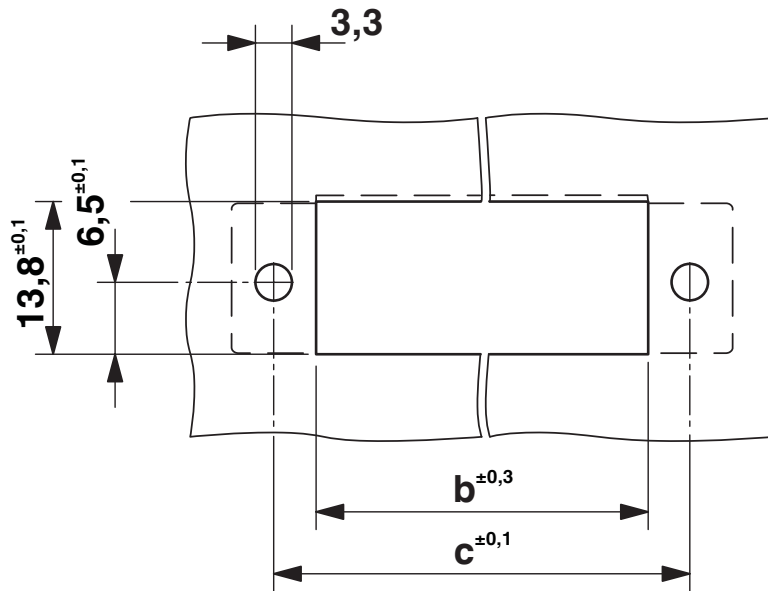


# DFK-PC 4/ 8-G-7,62-FS4,8 - Feed-through header

1861219

<https://www.phoenixcontact.com/us/products/1861219>

Dimensional drawing



Dimension b = 60.91 mm; dimension c = 68.58 mm

# DFK-PC 4/ 8-G-7,62-FS4,8 - Feed-through header



1861219

<https://www.phoenixcontact.com/us/products/1861219>

## Approvals

To download certificates, visit the product detail page: <https://www.phoenixcontact.com/us/products/1861219>



**EAC**

Approval ID: B.01687



**cULus Recognized**

Approval ID: E60425-19920722

	Nominal voltage $U_N$	Nominal current $I_N$	Cross section AWG	Cross section $\text{mm}^2$
Use group B				
For 600 V applications, additional insulation is required on the solder pins	300 V	20 A	-	-
Use group C				
For 600 V applications, additional insulation is required on the solder pins	300 V	20 A	-	-



**CSA**

Approval ID: 13631

	Nominal voltage $U_N$	Nominal current $I_N$	Cross section AWG	Cross section $\text{mm}^2$
Use group B				
	300 V	20 A	-	-
Use group C				
	300 V	20 A	-	-

# DFK-PC 4/ 8-G-7,62-FS4,8 - Feed-through header



1861219

<https://www.phoenixcontact.com/us/products/1861219>

## Classifications

### ECLASS

ECLASS-11.0	27460201
ECLASS-12.0	27460201
ECLASS-13.0	27460201

### ETIM

ETIM 8.0	EC002637
----------	----------

### UNSPSC

UNSPSC 21.0	39121400
-------------	----------



# DFK-PC 4/ 8-G-7,62-FS4,8 - Feed-through header



1861219

<https://www.phoenixcontact.com/us/products/1861219>

## Environmental product compliance

China RoHS	Environmentally friendly use period: unlimited = EFUP-e
	No hazardous substances above threshold values

# DFK-PC 4/ 8-G-7,62-FS4,8 - Feed-through header



1861219

<https://www.phoenixcontact.com/us/products/1861219>

## Accessories

### DFK-MSTB-SS - Screw set

0708263

<https://www.phoenixcontact.com/us/products/0708263>



Screw set, for securing the header to the device wall, consists of an M3 x 10 screw, with a spring washer and a nut

---

### CP-PC RD - Coding profile

1701967

<https://www.phoenixcontact.com/us/products/1701967>



Coding profile, for plugging into the coding ribs of the plug at a later date, insulating material, color: Red

# DFK-PC 4/ 8-G-7,62-FS4,8 - Feed-through header

1861219

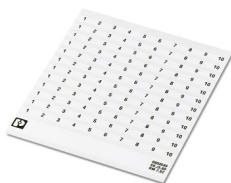
<https://www.phoenixcontact.com/us/products/1861219>



## SK 7,62/3,8:FORTL.ZAHLEN - Marker card

0804549

<https://www.phoenixcontact.com/us/products/0804549>



Marker card, white, labeled, horizontal: consecutive numbers 1 ... 10, 11 ... 20, etc. up to 91 ... 100, mounting type: adhesive, for terminal block width: 7.62 mm, lettering field size: 7.62 x 3.8 mm

---

## SZS 0,6X3,5 - Screwdriver

1205053

<https://www.phoenixcontact.com/us/products/1205053>



Actuation tool, for ST terminal blocks, insulated, also suitable for use as a bladed screwdriver, size: 0.6 x 3.5 x 100 mm, 2-component grip, with non-slip grip

# DFK-PC 4/ 8-G-7,62-FS4,8 - Feed-through header



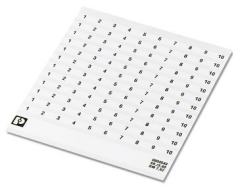
1861219

<https://www.phoenixcontact.com/us/products/1861219>

## SK 3,8 REEL P7,62 WH CUS - Marker card

0825128

<https://www.phoenixcontact.com/us/products/0825128>



Marker card, can be ordered: by card, white, labeled according to customer specifications, mounting type: adhesive, for terminal block width: 7.62 mm, lettering field size: continuous x 3.8 mm

---

## SK U/3,8 WH:UNBEDRUCKT - Marker card

0803906

<https://www.phoenixcontact.com/us/products/0803906>



Marker card, Din A4, white, unlabeled, can be labeled with: PLOTMARK, CMS-P1-PLOTTER, Office printing systems, mounting type: adhesive, for terminal block width: 210 mm, lettering field size: 186 x 3.8 mm, Number of individual labels: 1440

# DFK-PC 4/ 8-G-7,62-FS4,8 - Feed-through header



1861219

<https://www.phoenixcontact.com/us/products/1861219>

## SK 3,8 WH:REEL - Marker strip

0805218

<https://www.phoenixcontact.com/us/products/0805218>



Marker strip, Roll, white, unlabeled, can be labeled with: THERMOMARK E.300 (D)/600 (D), THERMOMARK ROLL 2.0, THERMOMARK ROLL, THERMOMARK ROLL X1, THERMOMARK ROLLMASTER 300/600, THERMOMARK X1.2, mounting type: adhesive, lettering field size: continuous x 3.8 mm

---

## C-SCF 1,5/4,8X0,8 - Connector

3240155

<https://www.phoenixcontact.com/us/products/3240155>



Slip-on sleeve, non-insulated, 0.75 ... 1.5 mm<sup>2</sup>, 4.8 x 0.8

# DFK-PC 4/ 8-G-7,62-FS4,8 - Feed-through header



1861219

<https://www.phoenixcontact.com/us/products/1861219>

## C-SCFI 1,5/4,8X0,8 - Connector

3240051

<https://www.phoenixcontact.com/us/products/3240051>



Slip-on sleeve, red, 0.5 ... 1.5 mm<sup>2</sup>, 4.8 x 0.8

---

## C-SCFFI 1,5/4,8X0,8 - Connector

3240537

<https://www.phoenixcontact.com/us/products/3240537>



Slip-on sleeve, fully isolated, red, 0.5 ... 1.5 mm<sup>2</sup>, for plug 4.8 x 0.8 mm

# DFK-PC 4/ 8-G-7,62-FS4,8 - Feed-through header

1861219

<https://www.phoenixcontact.com/us/products/1861219>



## C-SCF 2,5/4,8X0,8 - Connector

3240158

<https://www.phoenixcontact.com/us/products/3240158>



Slip-on sleeve, non-insulated, 1.5 ... 2.5 mm<sup>2</sup>, 4.8 x 0.8

---

## C-SCFI 2,5/4,8X0,8 - Connector

3240054

<https://www.phoenixcontact.com/us/products/3240054>



Slip-on sleeve, blue, 1.5 ... 2.5 mm<sup>2</sup>, 4.8 x 0.8

# DFK-PC 4/ 8-G-7,62-FS4,8 - Feed-through header



1861219

<https://www.phoenixcontact.com/us/products/1861219>

## C-SCFFI 2,5/4,8X0,8 - Connector

3240540

<https://www.phoenixcontact.com/us/products/3240540>



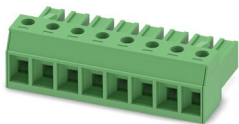
Slip-on sleeve, fully isolated, blue, 1.5 ... 2.5 mm<sup>2</sup>, for plug 4.8 x 0.8 mm

---

## PC 4/ 8-ST-7,62 - PCB connector

1804962

<https://www.phoenixcontact.com/us/products/1804962>



PCB connector, nominal cross section: 4 mm<sup>2</sup>, color: green, nominal current: 20 A, rated voltage (III/2): 630 V, contact surface: Tin, contact connection type: Socket, number of potentials: 8, number of rows: 1, number of positions: 8, number of connections: 8, product range: PC 4/..-ST, pitch: 7.62 mm, connection method: Screw connection with tension sleeve, screw head form: L Slotted, conductor/PCB connection direction: 0 °, locking clip: - Locking clip, plug-in system: COMBICON PC 4, locking: without, mounting: without, type of packaging: packed in cardboard



# DFK-PC 4/ 8-G-7,62-FS4,8 - Feed-through header



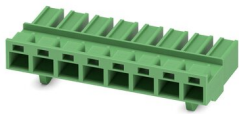
1861219

<https://www.phoenixcontact.com/us/products/1861219>

## PCC 4/ 8-ST-7,62 - PCB connector

1840133

<https://www.phoenixcontact.com/us/products/1840133>



PCB connector, nominal cross section: 4 mm<sup>2</sup>, color: green, nominal current: 20 A, rated voltage (III/2): 1000 V, contact connection type: Socket, number of potentials: 8, number of rows: 1, number of positions: 8, number of connections: 8, product range: PCC 4/..-ST, pitch: 7.62 mm, connection method: Crimp connection, conductor/PCB connection direction: 0 °, locking clip: - Locking clip, plug-in system: COMBICON PC 4, locking: without, mounting: without, type of packaging: packed in cardboard, Corresponding female crimp contacts with current [A] and conductor cross section range [mm<sup>2</sup>] data: 13,5A/STG-MTN 0,5-1,0 (3190438); 13,5A/STG-MTN 0,5-1,0 BA (3190629); 20A/STG-MTN 1,5-2,5 (3190506); 20A/STG-MTN 1,5-2,5 BA (3190632). BA = Taped contacts

---

Phoenix Contact 2023 © - all rights reserved

<https://www.phoenixcontact.com>

Phoenix Contact USA

586 Fulling Mill Road

Middletown, PA 17057, United States

(+717) 944-1300

[info@phoenixcon.com](mailto:info@phoenixcon.com)