

C-RC 25/M10 DIN - Ring cable lug

3240102

<https://www.phoenixcontact.com/us/products/3240102>

Please be informed that the data shown in this PDF document is generated from our online catalog. Please find the complete data in the user documentation. Our general terms of use for downloads are valid.



Ring cable lug, non-insulated, 25 mm², M10

Your advantages

- The CRIMPFOX-RC... tools from our CRIMPFOX range of crimping pliers are available for optimum crimping
- The hard-soldered press zone enables maximum conductor pull-out values to be achieved
- The ring cable lugs without plastic sleeve are made from high-quality tin-plated electrolytic copper for maximum protection against corrosion

Commercial data

Item number	3240102
Packing unit	1 pc
Minimum order quantity	100 pc
Sales key	BH34
Product key	BH3422
Catalog page	Page 490 (C-3-2019)
GTIN	4046356453196
Weight per piece (including packing)	8.32 g
Weight per piece (excluding packing)	8.32 g
Customs tariff number	85369010
Country of origin	CN

C-RC 25/M10 DIN - Ring cable lug

3240102

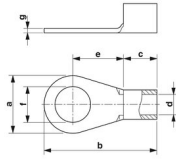
<https://www.phoenixcontact.com/us/products/3240102>

Technical data

Product properties

Product type	Connector
--------------	-----------

Dimensions

Dimensional drawing	
Width	18 mm
Length	35 mm
Length of the insulating material sleeve	11 mm
Maximum stripping length	14 mm
Distance from the center to the insulating material sleeve	15 mm
Min. material thickness	1.5 mm
Inner dimensions of the insulating collar	7.5 mm

Internal dimensions

Internal diameter	10.5 mm
-------------------	---------

Material specifications

Color	silver
Material	Copper
Coating	tin-plated

Environmental and real-life conditions

Ambient conditions

Ambient temperature (operation)	110 °C
---------------------------------	--------

Standards and regulations

Design according to standard	DIN 46234
------------------------------	-----------

C-RC 25/M10 DIN - Ring cable lug

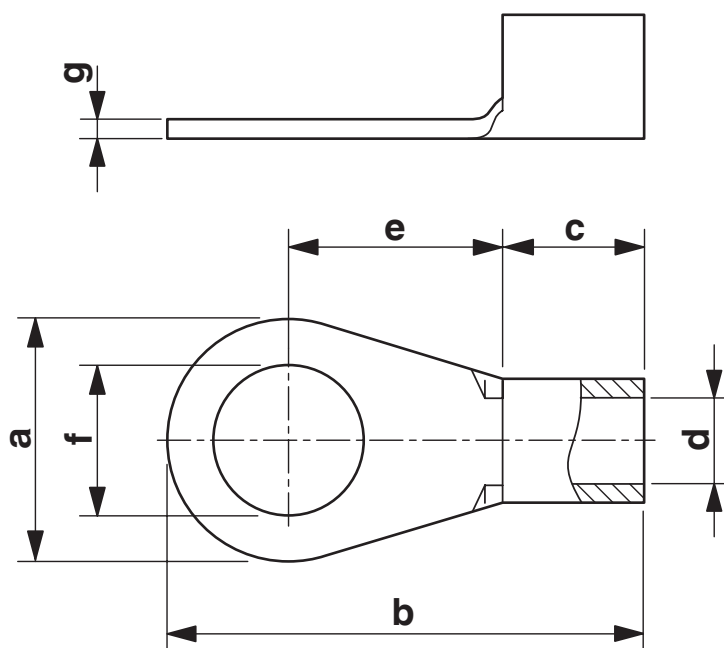
3240102

<https://www.phoenixcontact.com/us/products/3240102>



Drawings

Dimensional drawing



C-RC 25/M10 DIN - Ring cable lug



3240102

<https://www.phoenixcontact.com/us/products/3240102>

Classifications

ECLASS

ECLASS-11.0	27400204
ECLASS-12.0	27400204
ECLASS-13.0	27400204

ETIM

ETIM 8.0	EC001052
----------	----------

UNSPSC

UNSPSC 21.0	27121700
-------------	----------

C-RC 25/M10 DIN - Ring cable lug



3240102

<https://www.phoenixcontact.com/us/products/3240102>

Environmental product compliance

China RoHS	Environmentally friendly use period: unlimited = EFUP-e No hazardous substances above threshold values
------------	-----------------------------------------------------------------------------------------------------------

Phoenix Contact 2023 © - all rights reserved
<https://www.phoenixcontact.com>

Phoenix Contact USA
586 Fulling Mill Road
Middletown, PA 17057, United States
(+717) 944-1300
info@phoenixcon.com