

Product data sheet

Specifications



current control relay, Harmony Control Relays, 5A, 2CO, overcurrent or undercurrent detection, 0.15â€¦15A, 24â€¦240V AC DC

RM35JA32MW

Product availability: Stock - Normally stocked in distribution facility

Price*: 177.00 USD

Main

Range Of Product	Harmony Control Relays
Relay Type	Current control relay
Product Or Component Type	Current control relay
Relay Name	RM35JA
Relay Monitored Parameters	Overcurrent or undercurrent detection
Time Delay	Adjustable 0.3...30 s, 0 + 10 % Tt- time delay upon fault Adjustable 1...20 s, 0 + 10 % Ti- inhibition time delay upon startup
Switching Capacity In Va	1250 VA
Minimum Switching Current	10 mA 5 V DC
Maximum Switching Current	5 A AC/DC
Maximum Power Consumption In Va	3.5 VA AC
Measurement Range	0.15...1.5 A AC/DC E1-M terminals 0.5...5 A E2-M terminals 1.5...15 A E3-M terminals 150 mA...15 A current
Utilisation Category	AC-12 IEC 60947-5-1 AC-13 IEC 60947-5-1 AC-14 IEC 60947-5-1 AC-15 IEC 60947-5-1 DC-12 IEC 60947-5-1 DC-13 IEC 60947-5-1 DC-14 IEC 60947-5-1
Contacts Type And Composition	2 C/O

Complementary

Reset Time	1500 ms time delay
Maximum Switching Voltage	250 V AC/DC
Supply Voltage Limits	20.4...264 V AC/DC
Operating Voltage Tolerance	- 15 % + 10 % Un
Maximum Power Consumption In W	0.6 W DC
Control Circuit Frequency	40...70 Hz +/- 10 %

Price is "List Price" and may be subject to a trade discount – check with your local distributor or retailer for actual price.

Resistance Across Terminals	0.005 Ohm E3-M terminals 0.015 Ohm E2-M terminals 0.05 Ohm E1-M terminals
Output Contacts	2 C/O
Nominal Output Current	5 A
Maximum Measuring Cycle	30 ms measurement cycle as true rms value
Hysteresis	5...50 % threshold setting
Delay At Power Up	0.3 s
Measurement Accuracy	+/- 10 % of the full scale value
Repeat Accuracy	+/- 0.5 % input and measurement circuit +/- 2 % time delay
Measurement Error	0.05 %/°C with temperature variation 1 by volt over the whole range with voltage variation
Polarity	No DC
Threshold Setting	10...100 %
Marking	CE : EMC 89/336/EEC CE : 73/23/EEC
Overvoltage Category	III IEC 60664-1
Insulation Resistance	> 500 MOhm 500 V DC between supply and relay output IEC 60255-5 > 500 MOhm 500 V DC between measurement and relay output IEC 60664-1 > 1 MOhm 500 V DC between supply and measurement IEC 60255-5 > 500 MOhm 500 V DC between supply and relay output IEC 60664-1 > 500 MOhm 500 V DC between measurement and relay output IEC 60255-5 > 1 MOhm 500 V DC between supply and measurement IEC 60664-1
[U_i] Rated Insulation Voltage	250 V IEC 60664-1
Operating Position	Any position without derating
Connections - Terminals	Screw terminals, 1 x 0.5...1 x 4 mm ² AWG 20...AWG 11) solid without cable end Screw terminals, 2 x 0.5...2 x 2.5 mm ² AWG 20...AWG 14) solid without cable end Screw terminals, 1 x 0.2...1 x 2.5 mm ² AWG 24...AWG 12) flexible with cable end Screw terminals, 2 x 0.2...2 x 1.5 mm ² AWG 24...AWG 16) flexible with cable end
Tightening Torque	5.31...8.85 lbf.in (0.6...1 N.m) IEC 60947-1
Housing Material	Self-extinguishing plastic
Local Signalling	for power ON LED (green) for relay ON LED (yellow)
Mounting Support	35 mm symmetrical DIN rail conforming to IEC 60715
Electrical Durability	100000 cycles
Mechanical Durability	30000000 cycles
Operating Rate	<= 360 operations/hour full load
[U_n] Rated Nominal Voltage	AC/DC non self-powered
Safety Reliability Data	MTTF _d = 296.8 years B10 _d = 270000
Contacts Material	Cadmium free
Width	1.38 in (35 mm)
Control Type	Without test button
Net Weight	0.29 lb(US) (0.13 kg)

Environment

Immunity To Microbreaks	50 ms
--------------------------------	-------

Electromagnetic Compatibility	Emission standard for industrial environments conforming to IEC 61000-6-4 Emission standard for residential, commercial and light-industrial environments conforming to IEC 61000-6-3 Immunity for industrial environments conforming to NF EN/IEC 61000-6-2
Standards	IEC 60255-6
Product Certifications	GL UL GOST C-tick CSA
Ambient Air Temperature For Storage	-40...158 °F (-40...70 °C)
Ambient Air Temperature For Operation	-4...122 °F (-20...50 °C)
Relative Humidity	95 % 131 °F (55 °C) IEC 60068-2-30
Vibration Resistance	0.35 mm 5...57.6 Hz)IEC 60068-2-6 1 gn 57.6...150 Hz)IEC 60255-21-1
Shock Resistance	15 gn 11 ms IEC 60255-21-1
Ip Degree Of Protection	IP20 IEC 60529 terminals) IP30 IEC 60529 casing)
Pollution Degree	3 IEC 60664-1
Dielectric Test Voltage	2 kV AC 50 Hz, 1 min IEC 60255-5 2 kV AC 50 Hz, 1 min IEC 60664-1
Non-Dissipating Shock Wave	4 kV IEC 60255-5 4 kV IEC 60664-1 4 kV IEC 61000-4-5

Ordering and shipping details

Category	US10CP222380
Discount Schedule	0CP2
Gtin	3389119405225
Returnability	Yes
Country Of Origin	CA

Packing Units

Unit Type Of Package 1	PCE
Number Of Units In Package 1	1
Package 1 Height	1.77 in (4.500 cm)
Package 1 Width	3.15 in (8.000 cm)
Package 1 Length	3.74 in (9.500 cm)
Package 1 Weight	5.11 oz (145.000 g)
Unit Type Of Package 2	S03
Number Of Units In Package 2	48
Package 2 Height	11.81 in (30.000 cm)
Package 2 Width	11.81 in (30.000 cm)
Package 2 Length	15.75 in (40.000 cm)
Package 2 Weight	17.05 lb(US) (7.735 kg)

Contractual warranty

Warranty

18 months

Sustainability

Green Premium™ label is Schneider Electric's commitment to delivering products with best-in-class environmental performance. Green Premium promises compliance with the latest regulations, transparency on environmental impacts, as well as circular and low-CO₂ products.

Guide to assessing product sustainability is a white paper that clarifies global eco-label standards and how to interpret environmental declarations.

[Learn more about Green Premium >](#)

[Guide to assess a product's sustainability >](#)



Transparency RoHS/REACH

Well-being performance

Mercury Free

Rohs Exemption Information Yes

Certifications & Standards

Reach Regulation

[REACH Declaration](#)

Eu Rohs Directive

Pro-active compliance (Product out of EU RoHS legal scope)

China Rohs Regulation

[China RoHS declaration](#)

Environmental Disclosure

[Product Environmental Profile](#)

Weee

The product must be disposed on European Union markets following specific waste collection and never end up in rubbish bins.

Circularity Profile

[End of Life Information](#)

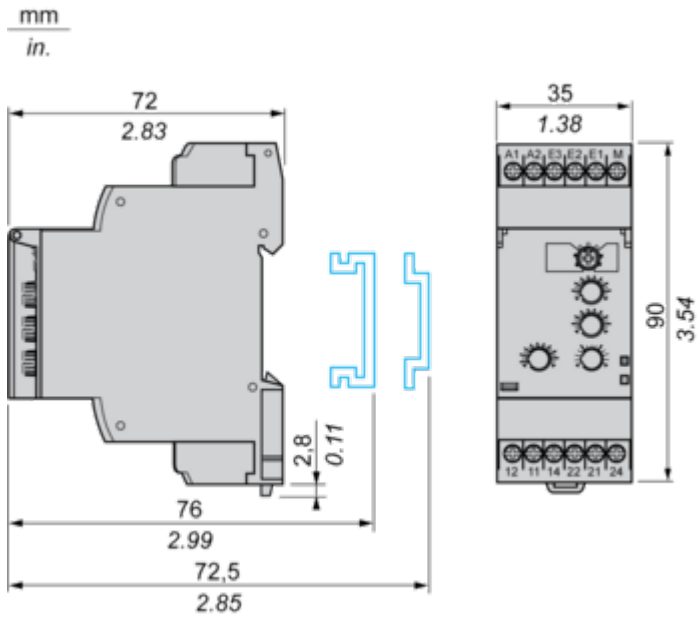
California Proposition 65

WARNING: This product can expose you to chemicals including: Lead and lead compounds, which is known to the State of California to cause cancer and birth defects or other reproductive harm. For more information go to www.P65Warnings.ca.gov

Dimensions Drawings

Current Control Relays

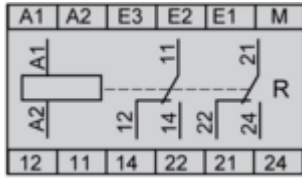
Dimensions and Mounting



Connections and Schema

Current Control Relays

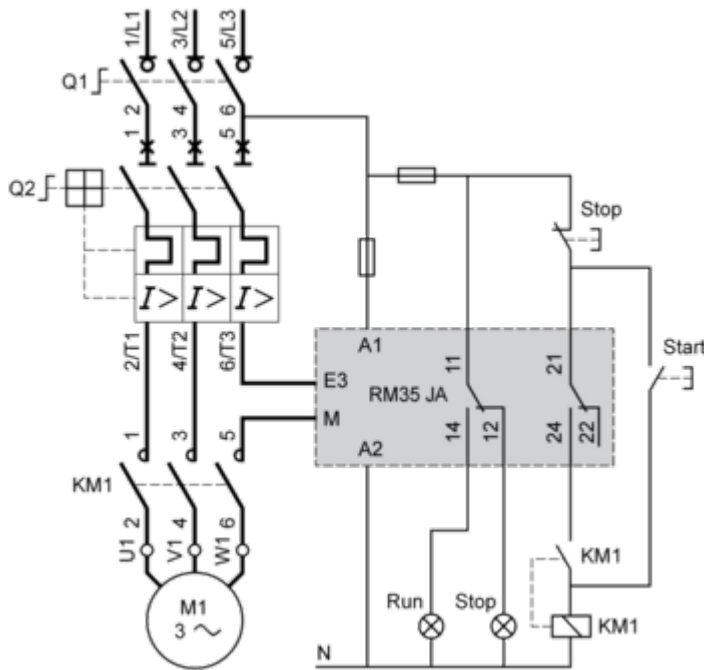
Wiring Diagram



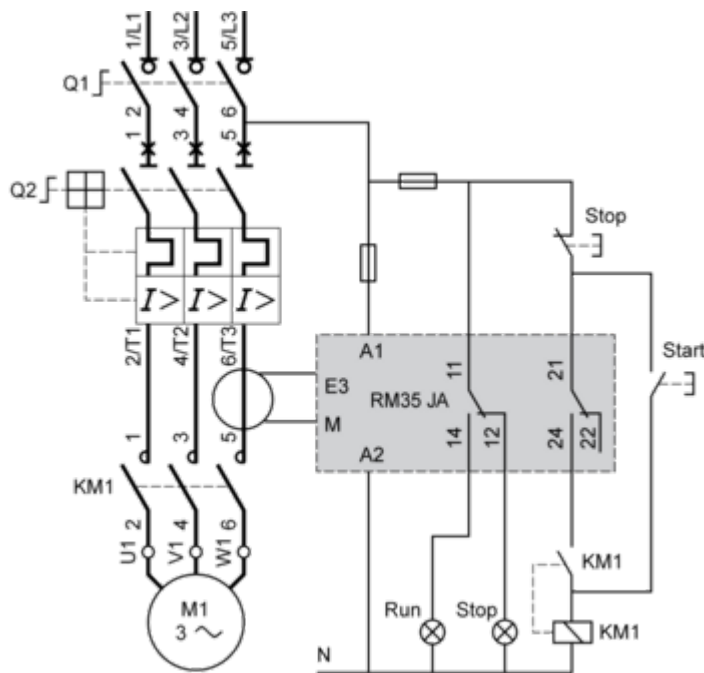
Application Schemes

Example: Detection of Jamming on a Crusher (Overcurrent Function)

Current measured ≤ 15 A



Current measured > 15 A

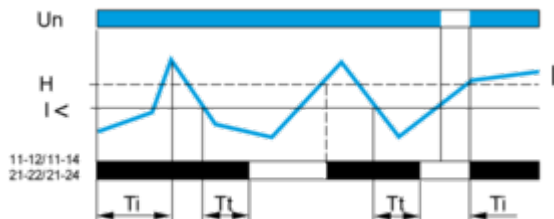


Technical Description

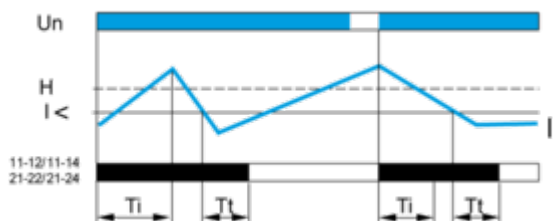
Function Diagrams

Undercurrent Detection

Without memory ("No Memory" mode)

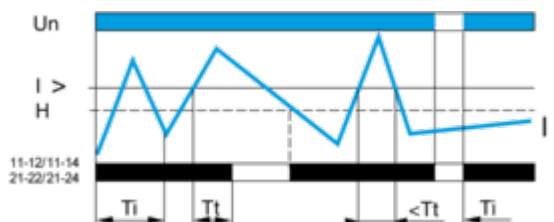


With memory ("Memory" mode)

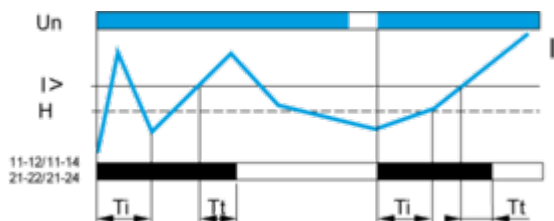


Overcurrent Detection

Without memory ("No Memory" mode)



With memory ("Memory" mode)



Legend

- Ti Starting inhibition time delay
- Tt Time delay after crossing of threshold
- Un Supply voltage
- I Monitored current
- H Hysteresis
- I> Overcurrent threshold
- I< Undercurrent threshold
- 11-12/11-14, 21-22/21-24 Output relay connections
- Relay status: black color = energized.

NOTE: In "Memory" mode, the relay opens when crossing of the threshold is detected and then stays in that position. The power supply voltage must be switched off to reset the product.