

SUBCON-PLUS-CAN/PG - D-SUB bus connector



2708119

<https://www.phoenixcontact.com/us/products/2708119>

Please be informed that the data shown in this PDF document is generated from our online catalog. Please find the complete data in the user documentation. Our general terms of use for downloads are valid.



D-SUB connector, 9-pos. socket, 35° cable entry, bus system: CAN, CANopen®, SafetyBUS p up to 1 Mbps, with PG D-SUB socket for connecting a programming device, termination resistor can be switched on via slide switch, pin assignment: 2, 3, 7, 9; screw terminal blocks

Product description

The SUBCON-PLUS-CAN/... D-SUB series is specifically designed for use in CAN systems. Under field conditions, it enables the quick and easy connection of the incoming and outgoing bus line. The terminating resistor is already integrated in all versions. It can be connected externally by means of a slide switch. At the same time, the outgoing bus segment is switched off. This makes it easy to start up segment by segment while incorrect terminations are avoided. A special feature of the 35° angled connector is that the internal connection unit can be turned round. Whether the cable is to be inserted from the right or left can thus be decided on-site.

Your advantages

- Separate terminal blocks for bus cables
- Segment-by-segment startup
- High level of EMC
- Assembly under field conditions
- Flexibility in terms of cable entry selection
- High transmission speed
- Suitable for bus cables according to CiA Draft Recommendation 303-1 with an outside diameter of 8 mm
- Termination resistor can be connected
- Change to the D-SUB orientation through a reversible connection block

Commercial data

Item number	2708119
Packing unit	1 pc
Minimum order quantity	1 pc
Sales key	DN10
Product key	DNC541
Catalog page	Page 448 (C-6-2019)
GTIN	4046356041331
Weight per piece (including packing)	56.9 g
Weight per piece (excluding packing)	38.4 g
Customs tariff number	85366990
Country of origin	DE

SUBCON-PLUS-CAN/PG - D-SUB bus connector



2708119

<https://www.phoenixcontact.com/us/products/2708119>

Technical data

Notes

Utilization restriction

CCCex note	Use in potentially explosive areas is not permitted in China.
------------	---

Product properties

Product type	Data plug
MTTF	6706 Years (SN 29500 standard, temperature 25°C, operating cycle 21%)
	1817 Years (SN 29500 standard, temperature 40°C, operating cycle 34.25%)
	155 Years (SN 29500 standard, temperature 40°C, operating cycle 100%)
Pin assignment	2, 3, 7, 9

Electrical properties

Nominal voltage U_N	5 V
Nominal current I_N	100 mA
Transmission medium	Copper

Connection data

D-SUB connection

Connection method	D-SUB socket
-------------------	--------------

PCB connection

Connection method	Screw connection
Stripping length	5 mm
Conductor cross section, rigid min.	0.14 mm ²
Conductor cross section, rigid max.	1.5 mm ²
Conductor cross section flexible min.	0.14 mm ²
Conductor cross section flexible max.	1 mm ²
Single-wire/terminal point, rigid AWG min.	26
Single-wire/terminal point, rigid AWG max.	16
Min. AWG conductor cross section, flexible	26
Max. AWG conductor cross section, flexible	18

Programming connection

Connection method	D-SUB connector
-------------------	-----------------

Interfaces

Bus system	CAN, CANopen, SafetyBus-P
Signal	CAN CANopen [®]

SUBCON-PLUS-CAN/PG - D-SUB bus connector



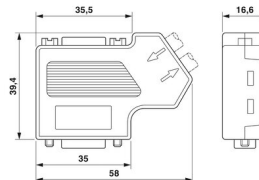
2708119

<https://www.phoenixcontact.com/us/products/2708119>

SafetyBUS p

Dimensions

Dimensional drawing



Width	16.6 mm
Height	39.4 mm
Length	58 mm

External dimensions

External diameter min.	7.6 mm
External diameter max.	8.4 mm

Material specifications

Material	ABS, metal-plated
----------	-------------------

Cable/line

External cable diameter ()	7.6 mm ... 8.4 mm (Incoming bus line)
-----------------------------	---------------------------------------

Mechanical properties

Mechanical data

Insertion/withdrawal cycles	> 200
-----------------------------	-------

Environmental and real-life conditions

Ambient conditions

Degree of protection	IP40
Ambient temperature (operation)	-20 °C ... 75 °C
Ambient temperature (storage/transport)	-25 °C ... 80 °C
Altitude	≤ 5000 m (For restrictions, see the manufacturer's declaration for altitude operation)
Permissible humidity (operation)	10 % ... 95 % (non-condensing)
Permissible humidity (storage/transport)	5 % ... 95 % (non-condensing)

Approvals

EAC

Identification	EAC
----------------	-----

ATEX

Identification	⊕ II 3 G Ex nA IIC T4 Gc X
----------------	----------------------------

SUBCON-PLUS-CAN/PG - D-SUB bus connector



2708119

<https://www.phoenixcontact.com/us/products/2708119>

Note	Please follow the special installation instructions in the documentation!
------	---

Corrosive gas test

Identification	ISA-S71.04-1985 G3 Harsh Group A
----------------	----------------------------------

Standards and regulations

Free from substances that could impair the application of coating	in accordance with VW-AUDI-Seat central standard P-VW 3.10.7 57 65 0
---	--

SUBCON-PLUS-CAN/PG - D-SUB bus connector

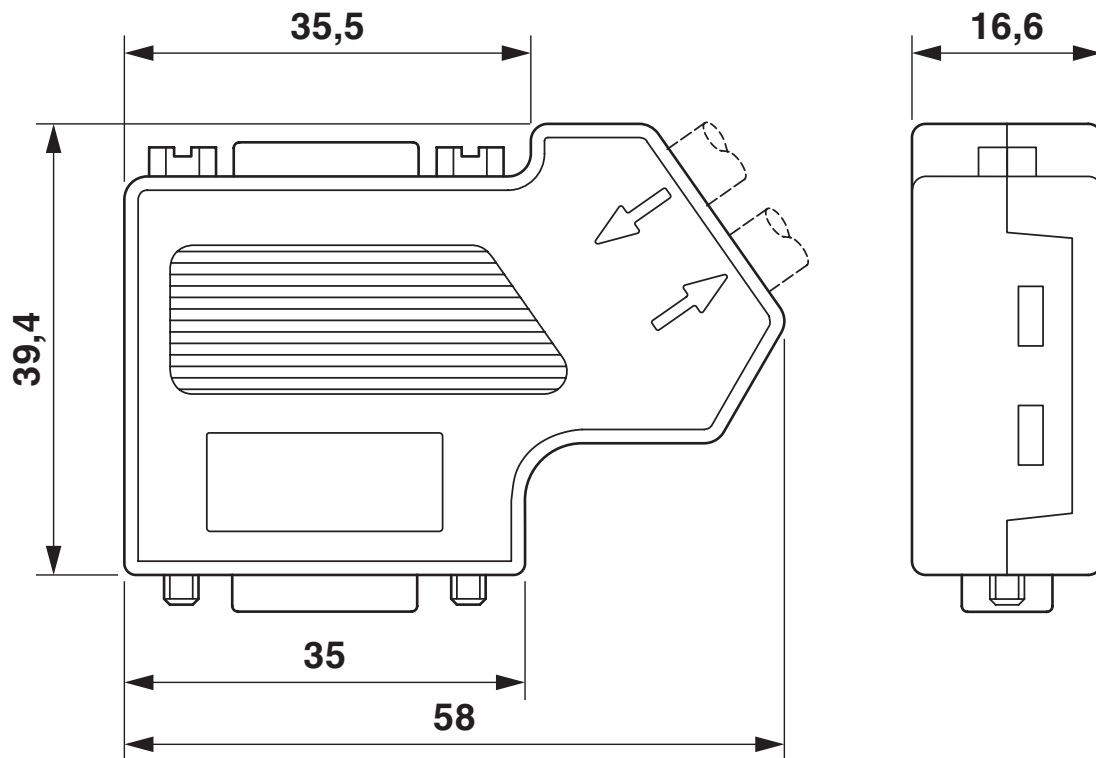
2708119

<https://www.phoenixcontact.com/us/products/2708119>



Drawings

Dimensional drawing



Dimensional drawing

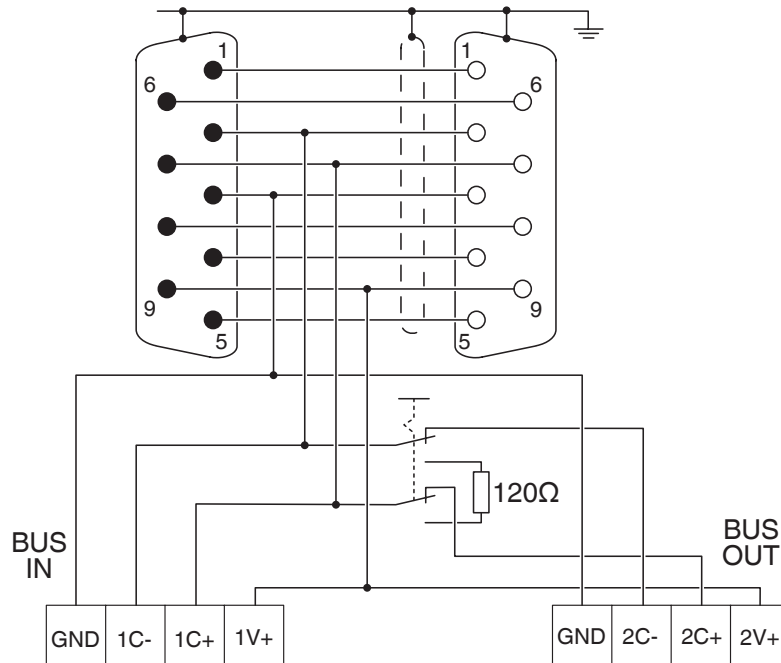
SUBCON-PLUS-CAN/PG - D-SUB bus connector



2708119

<https://www.phoenixcontact.com/us/products/2708119>

Circuit diagram

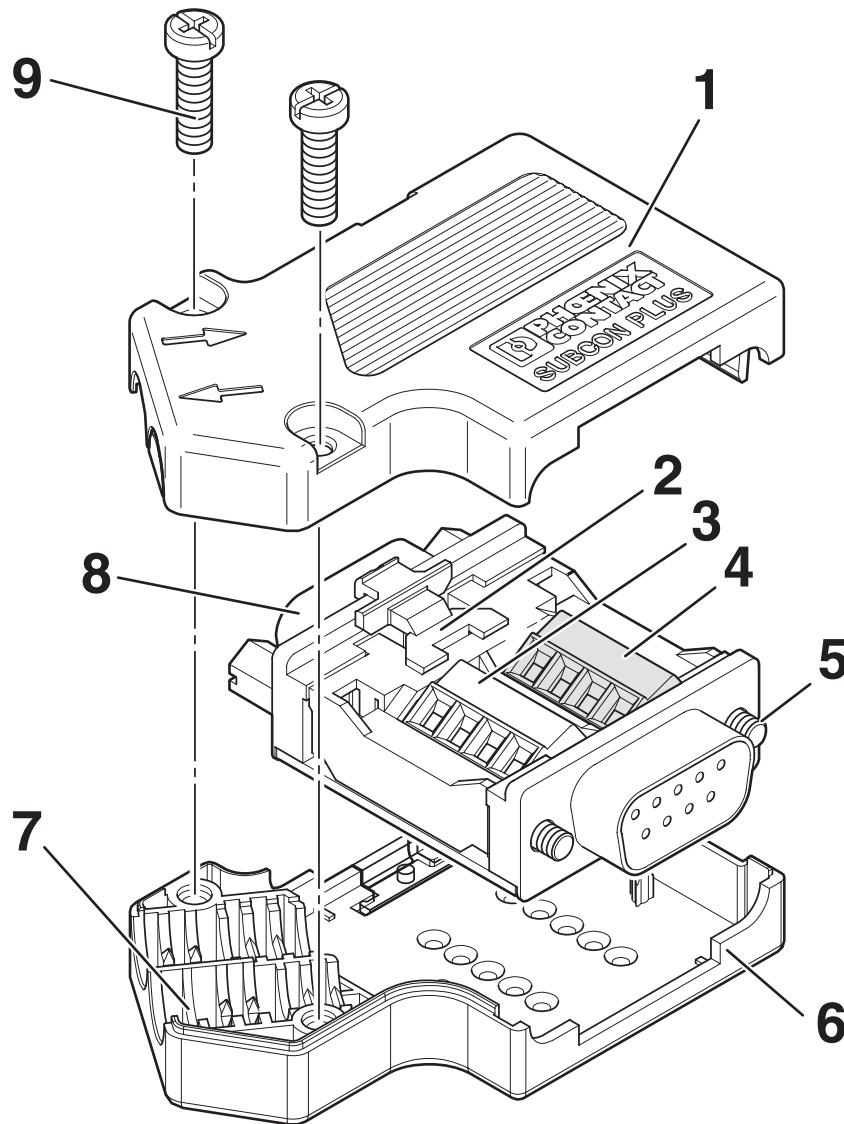


SUBCON-PLUS-CAN/PG - D-SUB bus connector

2708119

<https://www.phoenixcontact.com/us/products/2708119>

Schematic diagram



- 1 Upper housing part
- 2 Slide switch
- 3 BUS IN connection block
- 4 BUS OUT connection block
- 5 UNC mounting screw
- 6 Lower housing part
- 7 Strain relief
- 8 PG connection
- 9 Housing screw

SUBCON-PLUS-CAN/PG - D-SUB bus connector



2708119

<https://www.phoenixcontact.com/us/products/2708119>

Approvals

To download certificates, visit the product detail page: <https://www.phoenixcontact.com/us/products/2708119>



cUL Recognized
Approval ID: FILE E 238705



UL Recognized
Approval ID: FILE E 238705



CSA
Approval ID: 2437602



ATEX
Approval ID: PxCIF14ATEX2744694

cULus Recognized

SUBCON-PLUS-CAN/PG - D-SUB bus connector



2708119

<https://www.phoenixcontact.com/us/products/2708119>

Classifications

ECLASS

ECLASS-11.0	27440302
ECLASS-12.0	27440302
ECLASS-13.0	27440302

ETIM

ETIM 8.0	EC001132
----------	----------

UNSPSC

UNSPSC 21.0	39121400
-------------	----------

SUBCON-PLUS-CAN/PG - D-SUB bus connector



2708119

<https://www.phoenixcontact.com/us/products/2708119>

Environmental product compliance

China RoHS	Environmentally Friendly Use Period = 50 years For information on hazardous substances, refer to the manufacturer's declaration available under "Downloads"
------------	--

SUBCON-PLUS-CAN/PG - D-SUB bus connector



2708119

<https://www.phoenixcontact.com/us/products/2708119>

Accessories

SZK PH1 VDE - Screwdriver

1205150

<https://www.phoenixcontact.com/us/products/1205150>



Screwdriver, PH crosshead, VDE insulated, size: PH 1 x 80 mm, 2-component grip, with non-slip grip

SZF 0-0,4X2,5 - Screwdriver

1204504

<https://www.phoenixcontact.com/us/products/1204504>



Actuation tool, for ST terminal blocks, also suitable for use as a bladed screwdriver, size: 0.4 x 2.5 x 75 mm, 2-component grip, with non-slip grip

SUBCON-PLUS-CAN/PG - D-SUB bus connector



2708119

<https://www.phoenixcontact.com/us/products/2708119>

QUICK WIREFOX 6 - Stripping pliers

1204384

<https://www.phoenixcontact.com/us/products/1204384>



Stripping tool for cables with PVC insulation, stripping range: 0.08 to 6 mm², wire cutting up to 6 mm² flexible or 4 mm² rigid

SUBCON-PLUS-CAN/SC2 - D-SUB bus connector

2708999

<https://www.phoenixcontact.com/us/products/2708999>



D-SUB plug, 9-pos. socket, two 35° cable entries less than to two terminal block rows, bus system: CAN, CANopen, SafetyBUS p up to 1 Mbps, termination resistor can be switched on via slide switch, pin assignment: 2,3,7,9; screw connection terminal blocks

SUBCON-PLUS-CAN/PG - D-SUB bus connector



2708119

<https://www.phoenixcontact.com/us/products/2708119>

SUBCON-PLUS-CAN/AX - D-SUB bus connector

2306566

<https://www.phoenixcontact.com/us/products/2306566>



D-SUB connector, 9-pos. female connector, axial version with two cable entries, bus system: CAN, CANopen, SafetyBUS p; pin assignment: 2, 3, 7; screw connection terminal blocks

SUBCON-PLUS-CAN/35/PG/M12 - D-SUB bus connector

2902324

<https://www.phoenixcontact.com/us/products/2902324>



D-SUB plug, 9-pos., socket, with PG-D-SUB pin, assignment: 2, 3, 5, 6, 7, 9; two 35° cable entries M12 (A-coded). Bus system: CAN, CANopen®. Termination resistor via separate M12 terminator.

SUBCON-PLUS-CAN/PG - D-SUB bus connector



2708119

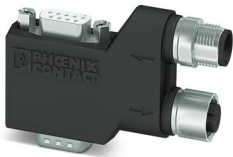
<https://www.phoenixcontact.com/us/products/2708119>

SUBCON-PLUS-CAN/90/PG/M12 - D-SUB bus connector

2902322

<https://www.phoenixcontact.com/us/products/2902322>

D-SUB plug, 9-pos., socket, with PG-D-SUB pin, assignment: 2, 3, 5, 6, 7, 9; two 90° cable entries M12 (A-coded). Bus system: CAN, CANopen®. Termination resistor via separate M12 terminator.



SUBCON-PLUS-CAN/AX/M12 - D-SUB bus connector

2902326

<https://www.phoenixcontact.com/us/products/2902326>

D-SUB plug, 9-pos., socket, assignment: 2, 3, 5, 6, 7, 9; two M12 cable glands (A-coded) under 180° (axial). Bus system: CAN, CANopen®. Termination resistor via separate M12 terminator.



Phoenix Contact 2023 © - all rights reserved
<https://www.phoenixcontact.com>

Phoenix Contact USA
586 Fulling Mill Road
Middletown, PA 17057, United States
(+717) 944-1300
info@phoenixcon.com