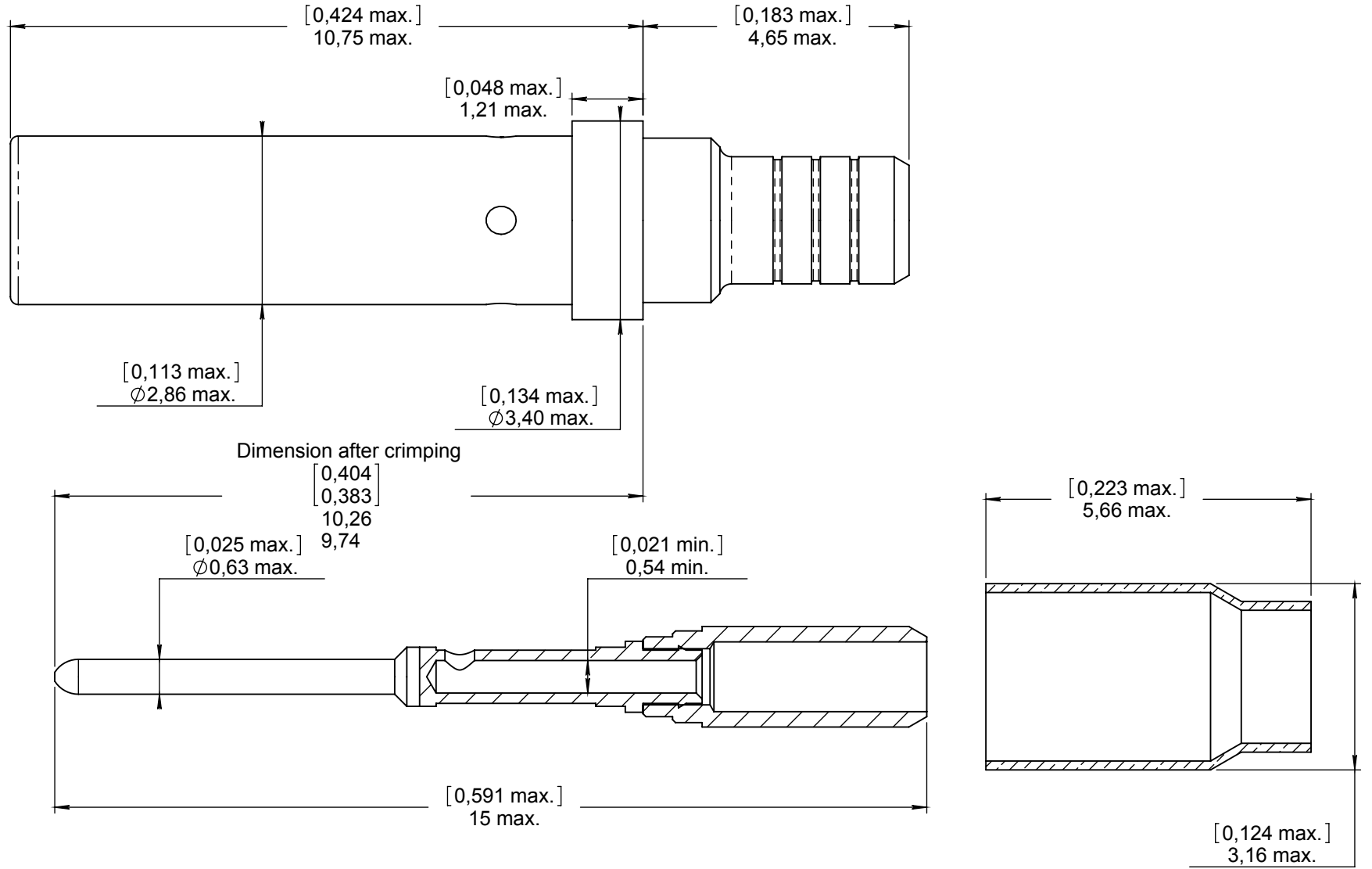


Series  
EPX

SIZE 15 SOCKET COAX CONTACT FOR FILECA F1709/25 CABLE

Issue:  
Nov 18, 2008

Page  
1/1



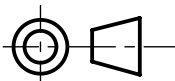
**MATERIALS AND FINISHES :**

Outer and center contacts and ferrule : Copper alloy ; Gold over Nickel plated.  
Protection sleeve : stainless steel  
Insulators : PTFE

**WIRING INSTRUCTION :**

See RP4184

**DIMENSIONS : mm (inch are given for information only)**



Confidential information not to be disclosed to third parties without Radiall approval. This information is given as an indication. In the continual goal to improve our products, we reserve the right to make any modifications judged necessary.

4112\_9311

<b>CREATION</b>				
<b>PEN:</b>				
<b>NOM:</b>				
<b>DATE:</b> Dec 22, 89	Nov 18, 08	TDS redrawn and Dimension after crimping added	Pailot N.	Pessard M.
<b>APPR.:</b>	Issue	Revisions	Name	Approved