

# EV-T2M3SM-E-LOCK12V - Locking

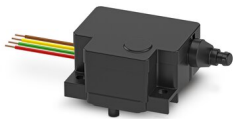


1296166

<https://www.phoenixcontact.com/us/products/1296166>

Please be informed that the data shown in this PDF document is generated from our online catalog. Please find the complete data in the user documentation. Our general terms of use for downloads are valid.

CHARX connect modular, Locking, Accessories, with single-core wires, without holder, for locking infrastructure charging sockets when plug is inserted, Type 2, GB/T, IEC 61851-1, Single wires, length: 0.5 m, locking actuator: 12 V, 4-pos.



## Product description

Locking actuator with 12 V power supply for infrastructure charging sockets

## Your advantages

- Integrated interlock during charging
- Manual emergency release of the locking actuator
- Developed and produced in accordance with the IATF 16949 automotive standard and ISO 9001
- Uniform, space-saving installation space

## Commercial data

Item number	1296166
Packing unit	1 pc
Minimum order quantity	1 pc
Product key	XWBAFC
GTIN	4063151531959
Weight per piece (including packing)	126.8 g
Weight per piece (excluding packing)	82.8 g
Country of origin	CN

# EV-T2M3SM-E-LOCK12V - Locking



1296166

<https://www.phoenixcontact.com/us/products/1296166>

## Technical data

### Product properties

Product type	Locking actuator
Product family	CHARX connect modular
Application	for locking infrastructure charging sockets when plug is inserted
Type	Accessories
Design	with single-core wires without holder
Compatibility	CHARX connect modular CHARX connect basic (additional holder required, see accessories)
Charging standard	Type 2 GB/T
Charging mode	Mode 2, 3, 4

### Electrical properties

#### Locking actuator

Operating voltage	12 V
Note number of positions	4-pos.
Position of the locking actuator	any

#### Locking actuator

Operating voltage	12 V
Note number of positions	4-pos.
Position of the locking actuator	any
Possible power supply range at the motor	9 V ... 16 V
Maximum voltage for locking detection	30 V
Typical motor current for locking	0.2 A
Reverse current of the motor	max. 1 A
Max. dwell time with reverse current	1000 ms
Recommended adaptation time	600 ms
Pause time after entry or exit path	3 s
Service life insertion cycles	> 10000 load cycles
Lock recognition	available
Mechanical emergency release	available
Ambient temperature (operation)	-30 °C ... 50 °C

### Material specifications

Color (Locking)	black (9005)
-----------------	--------------

### Cable/line

Cable length	0.5 m
Cable type	Single wires

# EV-T2M3SM-E-LOCK12V - Locking



1296166

<https://www.phoenixcontact.com/us/products/1296166>

Cable structure	4 x 0.5 mm <sup>2</sup>
Single wire, material	PVC
Single wire, color	BU/RD
	BU/GN
	BU/YE
	BU/BN
External cable diameter	1.6 mm ±0.20 mm
Cable resistance	≤ 37.1 Ω/m

## Environmental and real-life conditions

### Ambient conditions

Ambient temperature (operation)	-30 °C ... 50 °C
Ambient temperature (storage/transport)	-40 °C ... 80 °C
Altitude	5000 m (above sea level)

## Standards and regulations

### Standards

Standards/regulations	IEC 61851-1
-----------------------	-------------

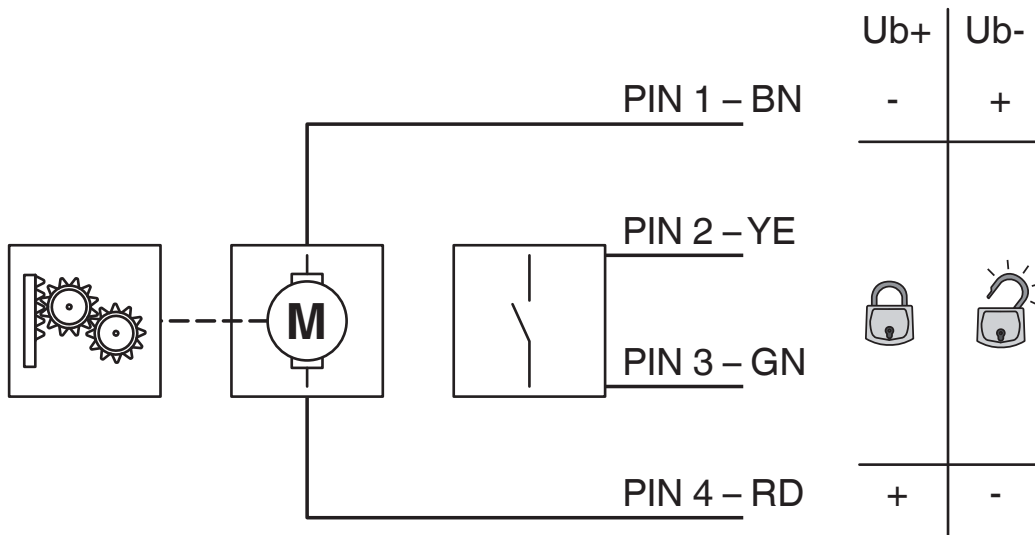
# EV-T2M3SM-E-LOCK12V - Locking

1296166

<https://www.phoenixcontact.com/us/products/1296166>

## Drawings

Block diagram

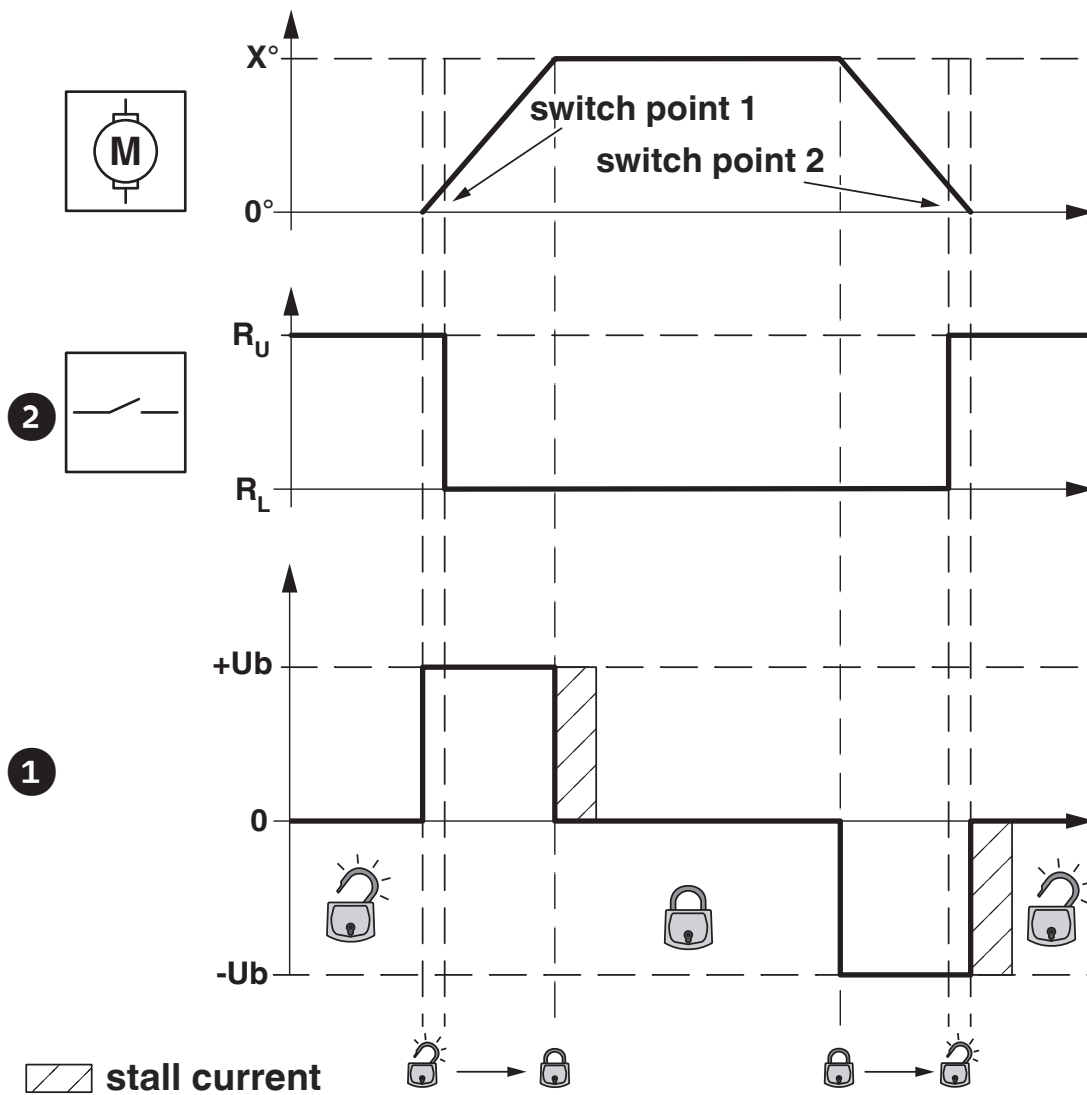


Block diagram of the locking actuator

1296166

<https://www.phoenixcontact.com/us/products/1296166>

Schematic diagram



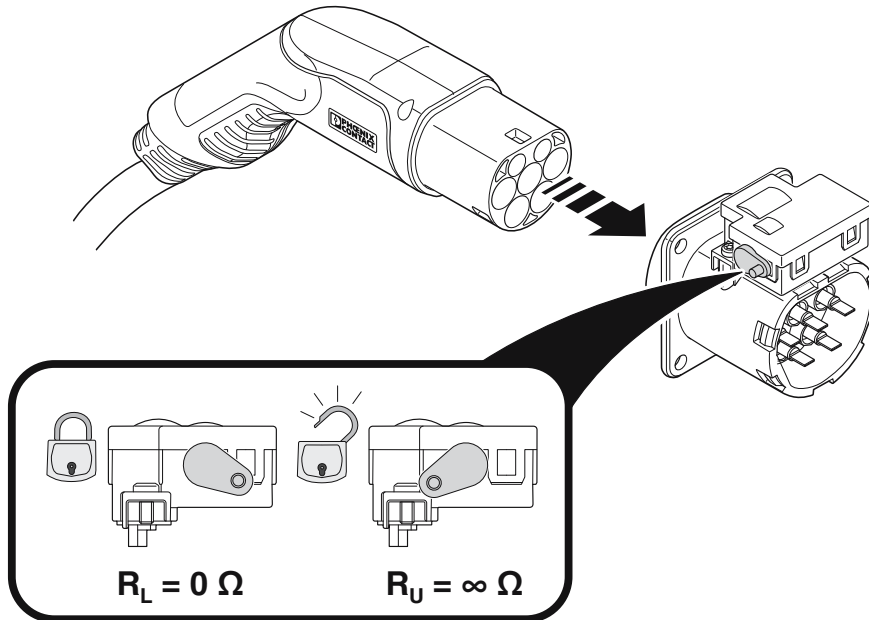
Locking states of the locking actuator

# EV-T2M3SM-E-LOCK12V - Locking

1296166

<https://www.phoenixcontact.com/us/products/1296166>

Schematic diagram



Position of the emergency unlocking lever on the locking actuator

# EV-T2M3SM-E-LOCK12V - Locking



1296166

<https://www.phoenixcontact.com/us/products/1296166>

## Classifications

### ECLASS

ECLASS-11.0	27144792
ECLASS-12.0	27144792
ECLASS-13.0	27144792

### ETIM

ETIM 8.0	EC002884
----------	----------

### UNSPSC

UNSPSC 21.0	39121500
-------------	----------

# EV-T2M3SM-E-LOCK12V - Locking



1296166

<https://www.phoenixcontact.com/us/products/1296166>

## Environmental product compliance

China RoHS	Environmentally Friendly Use Period = 10; For information on hazardous substances, refer to the manufacturer's declaration available under "Downloads"
------------	---



# EV-T2M3SM-E-LOCK12V - Locking

1296166

<https://www.phoenixcontact.com/us/products/1296166>



## Accessories

### EV-T2M3S-E-LOCK-HOLDER - Holder

1065832

<https://www.phoenixcontact.com/us/products/1065832>

CHARX connect modular, Holder, Accessories, for mounting the 4-pole locking actuator on infrastructure charging sockets, Type 2, GB/T, IEC 61851-1



---

Phoenix Contact 2023 © - all rights reserved  
<https://www.phoenixcontact.com>

Phoenix Contact USA  
586 Fulling Mill Road  
Middletown, PA 17057, United States  
(+717) 944-1300  
[info@phoenixcon.com](mailto:info@phoenixcon.com)