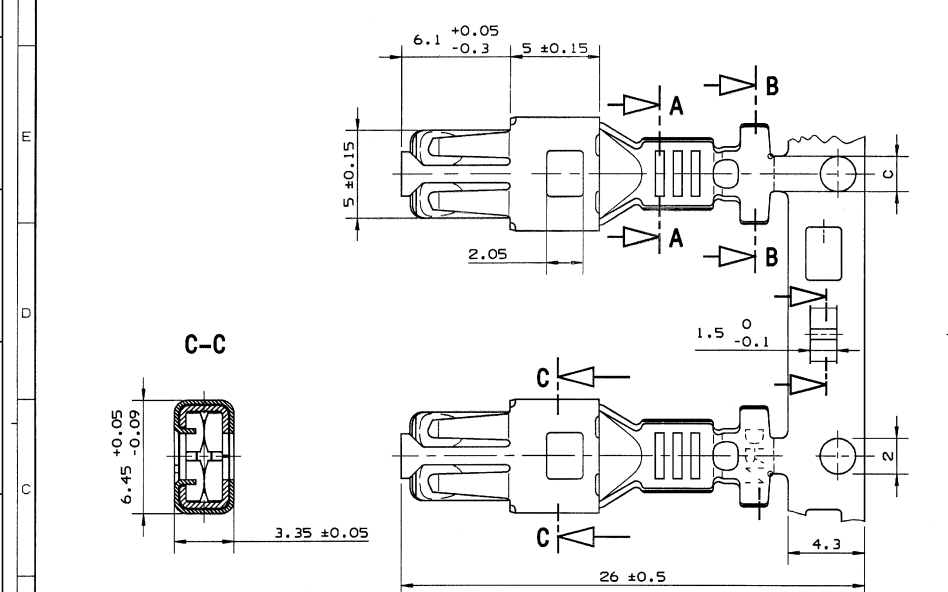
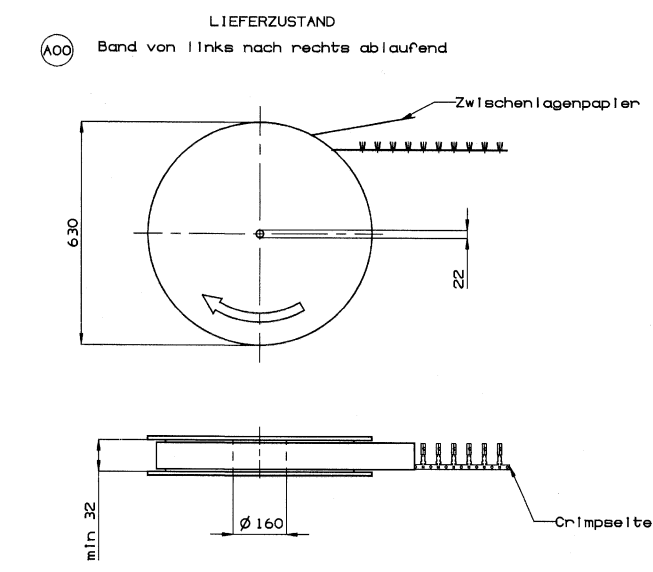
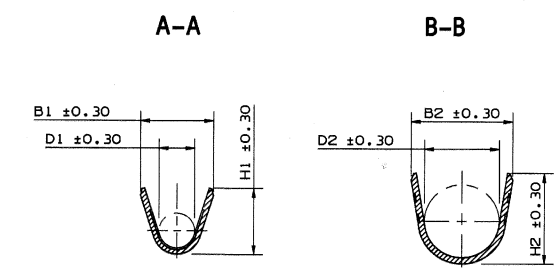
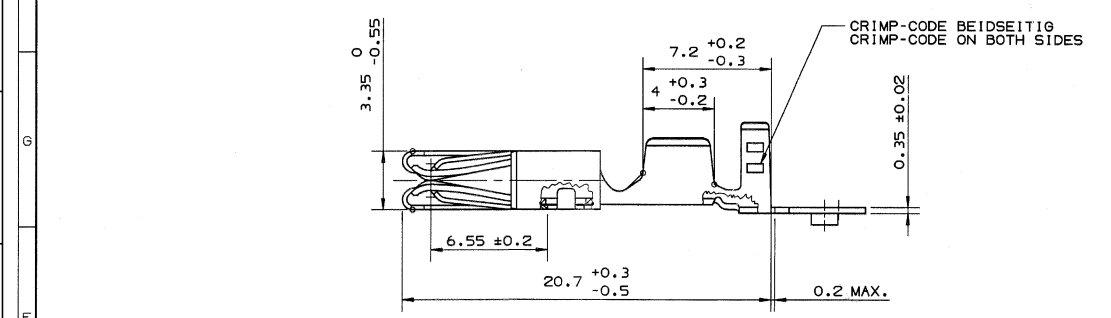


DELPHI PACKARD ELECTRIC SYSTEMS  
WARREN, OHIO 44486

DWG STATUS				REVISION HISTORY				AUTH			APVD			
DATE	ETG	REV	N/P	CHG	ZONE	DATE	REV	BY	CHK	DATE	REV	BY	CHK	
02AP04	R	01	-	-		10748124, 25, 26, 10779024, 12186637, 15340695 - WDRS: 02AP04/01	253715	JFC	JFC	JEP				
01JUL04	R	02	-	-		15340695 - REVISED CHART	258531	EGA	JFC	JEP				
18JAN05	R	03	-	-		ALL PARTS - DWG UPDATED TO LATEST PRINT	263018	GGG	GOY	GOY				



DRN-KONTAKT NR.	ANSCHLUSSBEREICH	CRIMP-CODE	C	B1	D1	H1	B2	D2	H2	WERKSTOFF	BERFLAECHE	CRIMP-SPEZIFIKATION
DRN-TERMINAL NO.	WIRE SIZE	CODE								MATERIAL	CRIMP-SPEZIFIKATION	
6 004 00 61	5mm <sup>2</sup>	IIII	2.40	5.50	3.40	5.30	6.80	5.10	6.20	SOCKET TERMINAL Cu Cr Si Ti (K75)	Sn 1-4 µm TIN PLATE 0.001-0.004	9 084 08 00
6 004 00 51	>2.50 - 4.00 mm <sup>2</sup>	III	2.40	4.40	2.60	4.50	6.70	4.90	6.10	STEEL SPRING X10 Cr Ni 18 8		
6 004 00 41	>1.00 - 2.50 mm <sup>2</sup>	II	2.00	4.10	2.00	3.80	5.70	4.20	5.20			
6 004 00 31	0.50 - 1.00 mm <sup>2</sup>	I	2.00	3.20	1.60	3.20	4.70	3.30	4.60			

ECN-NO.	DATE	REV	INDEX	POSITION	CHANGE DESCRIPTION	DRWEN BY	CHK. BY	APPR. BY
ECN NUMBER	DATE	REV	INDEX	POSITION	REASON	BY	BY	BY
623/04	23.07.04	A00			Aufbauanrichtung geändert	wei		

623/04 23.07.04 A00 Aufbauanrichtung geändert wei

DO NOT SCALE DRAWING  
AUSDRUCK NICHT VERGROßERN  
DO NOT SCALE DRAWING  
AUSDRUCK NICHT VERGROßERN

DATE: 23.07.04  
NAME: wei  
DESIGNER: wei  
DRAWN BY: wei  
CHECKED BY: wei  
APPROVED BY: wei

FILE NAME: 623/04\_01.dwg  
DATE: 23.07.04

SCALE: 1:1

9 084 08 00

DCS-FLACHKONTAKT 6.3  
DCS-FEM. TERMINAL 6.3

6 004 00 31/41/51/61

ACI

SEE PROJECTION FOR DIMENSIONS IN DWG SIZE MILLIMETERS DIMENSIONS IN METERS

SHEET 1 OF 7

- NOTES
- REF FRAMATOME P/N SEE CHART
  - DELPHI PACKARD ELECTRIC SYSTEMS IS NOT RESPONSIBLE FOR DESIGN CONTROL OF PURCHASED "OFF SHELF" COMPONENTS.
  - (\*) DENOTES PART THAT IS CANDIDATE TO CANCELLATION

REV	DATE	BY	CHK	APPR	DESCRIPTION
*	15340695	01	AC		6 004 00 41
*	15340695	01	AB		6 004 00 51
*	12186637	01	AB		10748126
*	10779624	01	AB		6 004 00 31
*	10748126	01	AB		6 004 00 61
*	10748125	01	AB		6 004 00 51
*	10748124	01	AB		6 004 00 41
*	10748124	01	AB		15340695
*	10748124	01	AB		12186637

REV	DATE	BY	CHK	APPR	DESCRIPTION
*	15340695	01	AC		6 004 00 41
*	15340695	01	AB		6 004 00 51
*	12186637	01	AB		10748126
*	10779624	01	AB		6 004 00 31
*	10748126	01	AB		6 004 00 61
*	10748125	01	AB		6 004 00 51
*	10748124	01	AB		6 004 00 41
*	10748124	01	AB		15340695
*	10748124	01	AB		12186637

**DELPHI**

DELPHI PACKARD ELECTRIC SYSTEMS  
WARREN, OH

DATE: 02AP04

APPROVED BY: Jose F. Cortal

DESIGNED BY: Jose F. Cortal

DRAWN BY: Enrique Puentes

CHECKED BY: Jose F. Cortal

SCALE: 1:1

DWG NO: 15491588

SHEET: 1 OF 1

REV: 03