

CK1,6-ED-0,50BU AU - Crimp contact



1674480

<https://www.phoenixcontact.com/us/products/1674480>

Please be informed that the data shown in this PDF document is generated from our online catalog. Please find the complete data in the user documentation. Our general terms of use for downloads are valid.



Crimp contact, contact diameter: 1.6 mm, turned, Socket, contact material: Copper alloy, contact surface: gold-plated, connection cross section: 0.5 mm² ... 0.5 mm², AWG 20

Commercial data

Item number	1674480
Packing unit	1 pc
Minimum order quantity	100 pc
Sales key	BF65
Product key	BF7AIA
Catalog page	Page 507 (C-2-2019)
GTIN	4017918135386
Weight per piece (including packing)	714 MGM
Weight per piece (excluding packing)	714 MGM
Customs tariff number	85366990
Country of origin	DE

CK1,6-ED-0,50BU AU - Crimp contact



1674480

<https://www.phoenixcontact.com/us/products/1674480>

Technical data

Notes

General	for HC-M-12, HC-M-17, HC-M-03/04, HC-M-EMV, HC-D, HC-DD, HC-Q, and VC-D contact carriers
---------	--

Mounting

Assembly instructions	At voltages of < 5 V and currents < 5 mA, gold-plated contacts are recommended. The quality of a crimp connection is determined by DIN EN 60352-2.
Connection method	Crimp connection

Product properties

Product type	Crimp contact
Type	Individual female contact
Contact material type	turned
Series	HC-M-12 HC-M-EMV HC-D HC-DD VC-D HC-M-03/04 HC-M-17 HC-K HC-Q HC-COM HC-M-42

Connection data

Connection method	Crimp connection
Contact connection type	Socket
Connection technology	Crimp connection
Conductor cross section	0.5 mm ² ... 0.5 mm ²
Connection cross section AWG	20
Stripping length of the individual wire	8 mm
Conductor cross section flexible	0.5 mm ² ... 0.5 mm ²

Material specifications

Contact material	Copper alloy
Contact surface material	gold-plated

Dimensions

Mechanical characteristics

CK1,6-ED-0,50BU AU - Crimp contact



1674480

<https://www.phoenixcontact.com/us/products/1674480>

Contact diameter	1.6 mm
------------------	--------

Mechanical properties

Mechanical data

Insertion/withdrawal cycles	≥ 500
-----------------------------	-------

Environmental and real-life conditions

Ambient conditions

Ambient temperature (operation)	-40 °C ... 125 °C
---------------------------------	-------------------

CK1,6-ED-0,50BU AU - Crimp contact

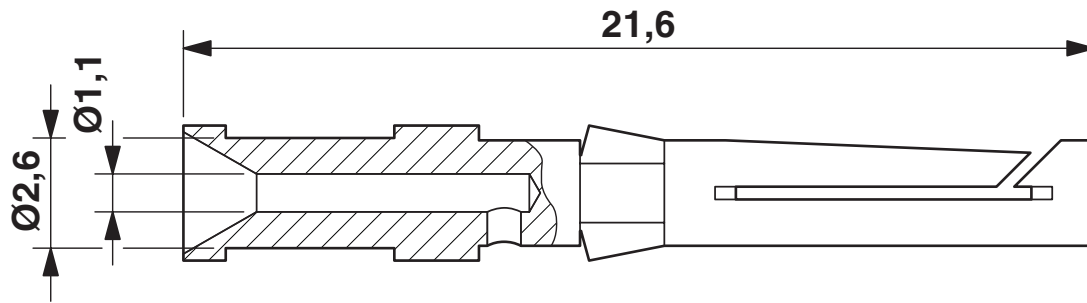


1674480

<https://www.phoenixcontact.com/us/products/1674480>

Drawings

Dimensional drawing



Dimensional drawing

CK1,6-ED-0,50BU AU - Crimp contact



1674480

<https://www.phoenixcontact.com/us/products/1674480>

Approvals

To download certificates, visit the product detail page: <https://www.phoenixcontact.com/us/products/1674480>



EAC

Approval ID: RU C-DE.AI30.B.01102

CK1,6-ED-0,50BU AU - Crimp contact



1674480

<https://www.phoenixcontact.com/us/products/1674480>

Classifications

ECLASS

ECLASS-11.0	27440204
ECLASS-12.0	27440204
ECLASS-13.0	27440204

ETIM

ETIM 8.0	EC000796
----------	----------

UNSPSC

UNSPSC 21.0	39121500
-------------	----------

CK1,6-ED-0,50BU AU - Crimp contact



1674480

<https://www.phoenixcontact.com/us/products/1674480>

Environmental product compliance

REACH SVHC	Lead 7439-92-1
China RoHS	Environmentally Friendly Use Period = 50 years
	For information on hazardous substances, refer to the manufacturer's declaration available under "Downloads"

CK1,6-ED-0,50BU AU - Crimp contact

1674480

<https://www.phoenixcontact.com/us/products/1674480>



Accessories

CRIMPFOX-TC MP-6 - Crimping pliers with digital display

1202888

<https://www.phoenixcontact.com/us/products/1202888>



Crimping tool, for turned contacts, universal cross-section setting, up to a maximum of 6.0 mm², digital display with 0.01 mm increments, pressure lock can be unlocked, positioning tool necessary as an accessory for contact positioning

CRIMPFOX-TC HC 4 - Crimping pliers

1297083

<https://www.phoenixcontact.com/us/products/1297083>



Crimping pliers, for CK 1,6-ED..., CK 2,5-ED..., CK 4,0-ED... turned contacts, 4 marked die stations, unlockable pressure lock, lateral entry, incl. positioning tool

CK1,6-ED-0,50BU AU - Crimp contact

1674480

<https://www.phoenixcontact.com/us/products/1674480>



UNIFOX RT-CK 1.6 - Contact removal tool

1072069

<https://www.phoenixcontact.com/us/products/1072069>



Contact removal tool, for turned and rolled CK- 1.6-... contacts

UNIFOX MT-CK 1.6/2.5 - Assembly tool

1089092

<https://www.phoenixcontact.com/us/products/1089092>



Assembly tool, for CK 1.6... crimp contacts for small conductor cross sections

CK1,6-ED-0,50BU AU - Crimp contact

1674480

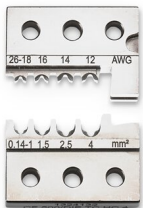
<https://www.phoenixcontact.com/us/products/1674480>



CF 500/DIE TC HC 4 - Crimp insert

1324132

<https://www.phoenixcontact.com/us/products/1324132>



Die for CF 500 crimping device, CK 1,6-ED..., CK 2,5-ED..., CK 4,0-ED... turned contacts, 4 marked die stations

CK1,6-ED-0,50ST AU - Crimp contact

1672453

<https://www.phoenixcontact.com/us/products/1672453>



Crimp contact, contact diameter: 1.6 mm, turned, Pin, contact material: Copper alloy, contact surface: gold-plated, connection cross section: 0.5 mm² ... 0.5 mm², AWG 20

Phoenix Contact 2023 © - all rights reserved
<https://www.phoenixcontact.com>

Phoenix Contact USA
586 Fulling Mill Road
Middletown, PA 17057, United States
(+717) 944-1300
info@phoenixcon.com