

VC-MEMV-T3-Z-M25 - Sleeve housing



1886579

<https://www.phoenixcontact.com/us/products/1886579>

Please be informed that the data shown in this PDF document is generated from our online catalog. Please find the complete data in the user documentation. Our general terms of use for downloads are valid.



Sleeve housing, Range of articles: VARIOCON, design: VC3, housing material: Zinc die-cast, color: nickel.
When using fiber optics, the bending radii of the cable manufacturers must be observed.

Commercial data

Item number	1886579
Packing unit	1 pc
Minimum order quantity	5 pc
Sales key	AB01
Product key	ABLAAB
Catalog page	Page 367 (PC-2009)
GTIN	4017918847999
Weight per piece (including packing)	357.13 g
Weight per piece (excluding packing)	268.18 g
Customs tariff number	85389099
Country of origin	PL

Technical data

Notes

General	When using fiber optics, the bending radii of the cable manufacturers must be observed.
Safety note	
Safety note	<p>WARNING: The connectors may not be plugged in or disconnected under load. Ignoring the warning or improper use may damage persons and/or property.</p> <ul style="list-style-type: none"> • WARNING: Commission properly functioning products only. The products must be regularly inspected for damage. Decommission defective products immediately. Replace damaged products. Repairs are not possible. • WARNING: Only electrically qualified personnel may install and operate the product. They must observe the following safety notes. The qualified personnel must be familiar with the basics of electrical engineering. They must be able to recognize and prevent danger. The relevant symbol on the packaging indicates that only personnel familiar with electrical engineering are allowed to install and operate the product. • The products are suitable for applications in plant, controller, and electrical device engineering. • When operating the connectors in outdoor applications, they must be separately protected against environmental influences. • Assembled products may not be manipulated or improperly opened. • Only use mating connectors that are specified in the technical data of the standards listed (e.g. the ones listed in the product accessories online at phoenixcontact.com/products). • When using the product in direct connection with third-party manufacturers, the user is responsible. • For operating voltages > 50 V AC, conductive connector housings must be grounded • Ensure that the protective or functional ground has been properly connected. • VDE 0100/1.97 § 411.1.3.2 and DIN EN 60 204/11.98 § 14.1.3 are applicable when combining several circuits in a cable and/or connector • Observe the corresponding technical data. You will find information: <ul style="list-style-type: none"> o On the product o On the packing label o In the supplied documentation o Online at phoenixcontact.com/products under the product • Only use tools recommended by Phoenix Contact • The installation notes/Design In documents online on the download page at phoenixcontact.com/products must be observed for this product. • Use a protective cap to protect connectors that are not in use. The suitable accessories are available online in the accessory section of the product at phoenixcontact.com/products • Operate the connector only when it is fully plugged in.

VC-MEMV-T3-Z-M25 - Sleeve housing

1886579

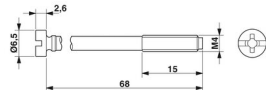
<https://www.phoenixcontact.com/us/products/1886579>

	<ul style="list-style-type: none">• Ensure that when laying the cable, the tensile load on the connectors does not exceed the upper limit specified in the standards.
	<ul style="list-style-type: none">• Observe the minimum bending radius of the cable. Lay the cable without twisting it.
	<ul style="list-style-type: none">• The connector warms up in normal operation. Depending on the ambient conditions, the surface of the connector can continue to warm up. In this case, the user is responsible for posting warnings (e.g. DIN EN ISO 13732-1:2008-12).

Product properties

Type	VC3
Product type	Sleeve housings
Product family	VARIOCON
No. of cable outlets	1
Type of the screw connection	M25
Housing type	Sleeve housing
Shielded	yes
Cable outlet	angled

Dimensions

Dimensional drawing	
Width	33 mm
Height	75 mm
Length	96 mm

Material specifications

Color	nickel
Color of the housing part	silver
Material	Die-cast zinc
	NBR
Seal material	EPDM, conductive
O-ring material	NBR
Material of locking screw	Stainless steel
Housing material	Zinc die-cast

Mechanical properties

Mechanical data

Type of the screw connection	M25
Locking type	Screw

Environmental and real-life conditions

VC-MEMV-T3-Z-M25 - Sleeve housing



1886579

<https://www.phoenixcontact.com/us/products/1886579>

Ambient conditions

Degree of protection	IP67 (IEC 60529)
	IP65/IP66/IP67
Ambient temperature (operation)	-40 °C ... 125 °C

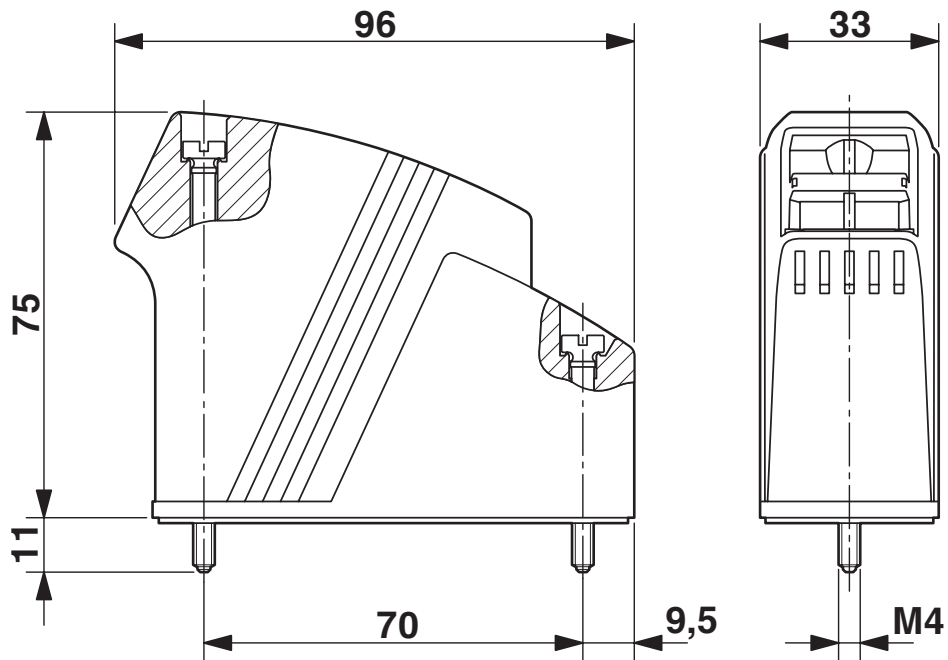
VC-MEMV-T3-Z-M25 - Sleeve housing

1886579

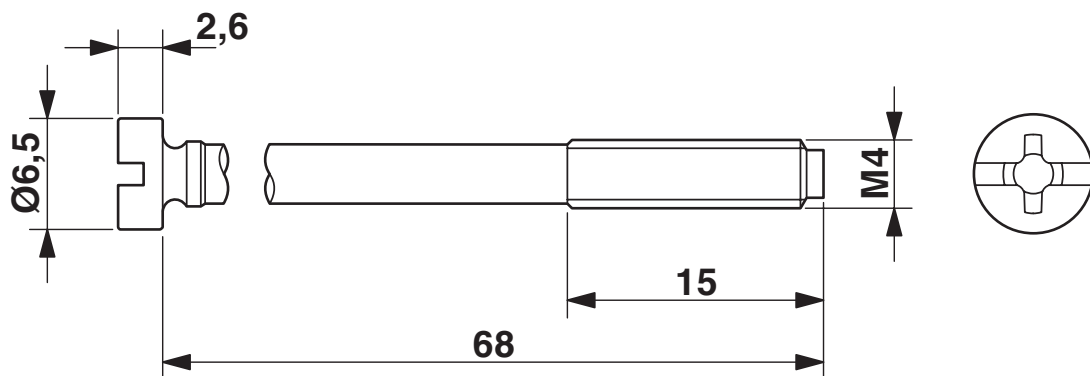
<https://www.phoenixcontact.com/us/products/1886579>

Drawings

Dimensional drawing



Dimensional drawing



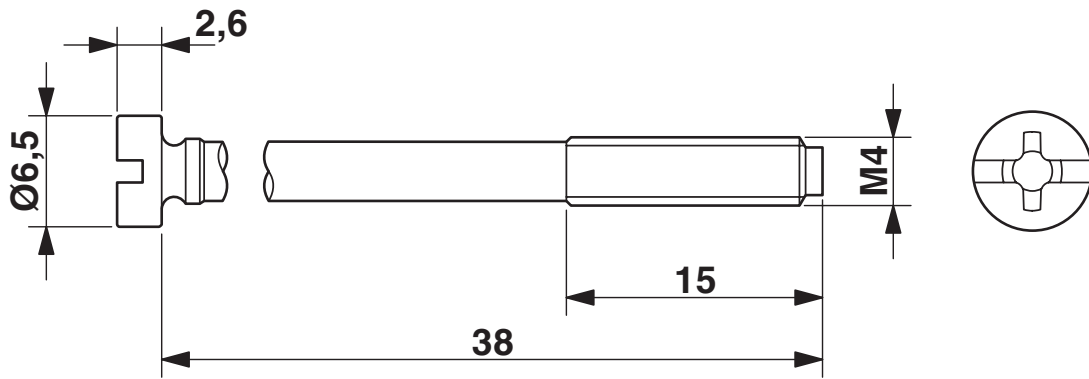
VC-MEMV-T3-Z-M25 - Sleeve housing

1886579

<https://www.phoenixcontact.com/us/products/1886579>



Dimensional drawing



VC-MEMV-T3-Z-M25 - Sleeve housing



1886579

<https://www.phoenixcontact.com/us/products/1886579>

Approvals

To download certificates, visit the product detail page: <https://www.phoenixcontact.com/us/products/1886579>



EAC

Approval ID: B.01687

VC-MEMV-T3-Z-M25 - Sleeve housing



1886579

<https://www.phoenixcontact.com/us/products/1886579>

Classifications

ECLASS

ECLASS-11.0	27440202
ECLASS-12.0	27440202
ECLASS-13.0	27440202

ETIM

ETIM 8.0	EC000437
----------	----------

UNSPSC

UNSPSC 21.0	31261500
-------------	----------

VC-MEMV-T3-Z-M25 - Sleeve housing



1886579

<https://www.phoenixcontact.com/us/products/1886579>

Environmental product compliance

China RoHS	Environmentally friendly use period: unlimited = EFUP-e
	No hazardous substances above threshold values

VC-MEMV-T3-Z-M25 - Sleeve housing

1886579

<https://www.phoenixcontact.com/us/products/1886579>

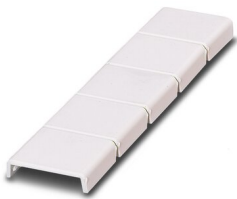


Accessories

VC-BZS WH - Marking label

1852875

<https://www.phoenixcontact.com/us/products/1852875>



Marker labels, unprinted, 5-section, for individual labeling with M-PEN or CMS system, white

VC-SCHR.ZYL-B-M4X38X15-Z2L-V4A - Connector component

1628354

<https://www.phoenixcontact.com/us/products/1628354>



M4x38x15 mm cylinder screw as replacement for VC sleeve housing

VC-MEMV-T3-Z-M25 - Sleeve housing

1886579

<https://www.phoenixcontact.com/us/products/1886579>



VC-SCHR.ZYL-B-M4X68X15-Z2L-V4A - Connector component

1628355

<https://www.phoenixcontact.com/us/products/1628355>



M4x68x15 mm cylinder screw as replacement for VC sleeve housing

VC-O-RING 3X1,5 NBR-NT70:100 - Connector component

1628356

<https://www.phoenixcontact.com/us/products/1628356>



O-ring as replacement for VC sleeve housing

VC-MEMV-T3-Z-M25 - Sleeve housing

1886579

<https://www.phoenixcontact.com/us/products/1886579>



VC-SD3 - Protective cover

1853696

<https://www.phoenixcontact.com/us/products/1853696>



Protective cover, Range of articles: VARIOCON, design: VC3, housing material: PA 6, color: gray

VC-SD-T3 - Protective cover

1886744

<https://www.phoenixcontact.com/us/products/1886744>



Protective cover, design: VC3, housing material: PA 6, color: gray

Phoenix Contact 2023 © - all rights reserved
<https://www.phoenixcontact.com>

Phoenix Contact USA
586 Fulling Mill Road
Middletown, PA 17057, United States
(+717) 944-1300
info@phoenixcon.com