

UMK-BE 22,5 - Base element



2970028

<https://www.phoenixcontact.com/us/products/2970028>

Please be informed that the data shown in this PDF document is generated from our online catalog. Please find the complete data in the user documentation. Our general terms of use for downloads are valid.

Electronic board base, plug-in module base element



Commercial data

| | |
|--------------------------------------|---------------------|
| Item number | 2970028 |
| Packing unit | 1 pc |
| Minimum order quantity | 10 pc |
| Sales key | AC13 |
| Product key | ACHDCA |
| Catalog page | Page 760 (C-1-2013) |
| GTIN | 4017918087555 |
| Weight per piece (including packing) | 9.39 g |
| Weight per piece (excluding packing) | 9.39 g |
| Customs tariff number | 84879090 |
| Country of origin | PL |

UMK-BE 22,5 - Base element

2970028

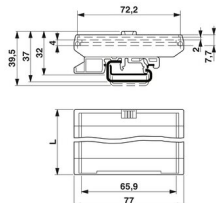
<https://www.phoenixcontact.com/us/products/2970028>

Technical data

Product properties

| | |
|------------------------------|--|
| Type | Module width 22,5 mm, since the housing can remain open at the top, it is possible for parts to protrude above the actual profile height |
| Product type | Component housing lower part |
| Product family | UMK BE |
| Type | Plug-in module base element |
| Housing type | Press-drawn section housings |
| Ventilation openings present | no |
| Housing series | UMK |

Dimensions

| | |
|---------------------|---|
| Dimensional drawing |  |
| Depth | 15.5 mm |
| Length | 22.5 mm |

External dimensions

| | |
|--------------------------|-------|
| Profile width (external) | 77 mm |
|--------------------------|-------|

Internal dimensions

| | |
|--------------------------|---------|
| Profile width (internal) | 72.2 mm |
|--------------------------|---------|

Material specifications

| | |
|--|--------------|
| Color | green (6021) |
| Flammability rating according to UL 94 | V2 |
| Surface characteristics | untreated |
| Housing material | Polyamide |

Environmental and real-life conditions

Ambient conditions

| | |
|---|--|
| Ambient temperature (operation) | -40 °C ... 105 °C (depending on power dissipation) |
| Ambient temperature (storage/transport) | -40 °C ... 55 °C |
| Ambient temperature (assembly) | -5 °C ... 100 °C |
| Relative humidity (storage/transport) | 80 % |

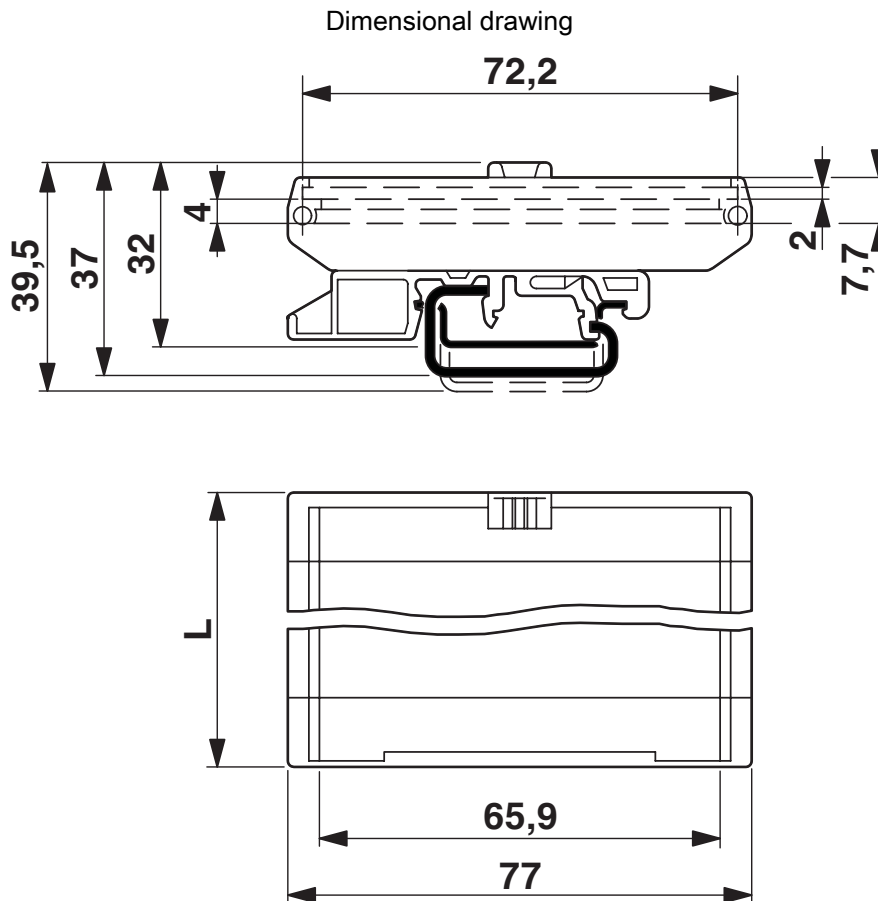
UMK-BE 22,5 - Base element

2970028

<https://www.phoenixcontact.com/us/products/2970028>



Drawings



UMK-BE 22,5 - Base element

2970028

<https://www.phoenixcontact.com/us/products/2970028>



Approvals

🔗 To download certificates, visit the product detail page: <https://www.phoenixcontact.com/us/products/2970028>



EAC

Approval ID: B.01687



UL Recognized

Approval ID: FILE E 240868

UMK-BE 22,5 - Base element

2970028

<https://www.phoenixcontact.com/us/products/2970028>



Classifications

ECLASS

| | |
|-------------|----------|
| ECLASS-11.0 | 27182701 |
| ECLASS-13.0 | 27190601 |

ETIM

| | |
|----------|----------|
| ETIM 8.0 | EC002779 |
|----------|----------|

UNSPSC

| | |
|-------------|----------|
| UNSPSC 21.0 | 31261500 |
|-------------|----------|

UMK-BE 22,5 - Base element

2970028

<https://www.phoenixcontact.com/us/products/2970028>



Environmental product compliance

| | |
|------------|---|
| China RoHS | Environmentally friendly use period: unlimited = EFUP-e No hazardous substances above threshold values |
|------------|---|

UMK-BE 22,5 - Base element

2970028

<https://www.phoenixcontact.com/us/products/2970028>



Accessories

UMK-BE 45 - Base element

2970015

<https://www.phoenixcontact.com/us/products/2970015>

Electronic board base, plug-in module base element



UMK-FE - Foot element

2970031

<https://www.phoenixcontact.com/us/products/2970031>

Foot element, for mounting on DIN rail NS 32 or DIN rail NS 35/7.5, can be inserted between base and side element



UMK-BE 22,5 - Base element

2970028

<https://www.phoenixcontact.com/us/products/2970028>



UMK-BE 11,25 - Base element

2971535

<https://www.phoenixcontact.com/us/products/2971535>

Electronic board base, plug-in module base element



UMK-BF - Mounting flange

2976077

<https://www.phoenixcontact.com/us/products/2976077>

Mounting flange, for mounting directly on the wall



Phoenix Contact 2023 © - all rights reserved
<https://www.phoenixcontact.com>

Phoenix Contact USA
586 Fulling Mill Road
Middletown, PA 17057, United States
(+717) 944-1300
info@phoenixcon.com