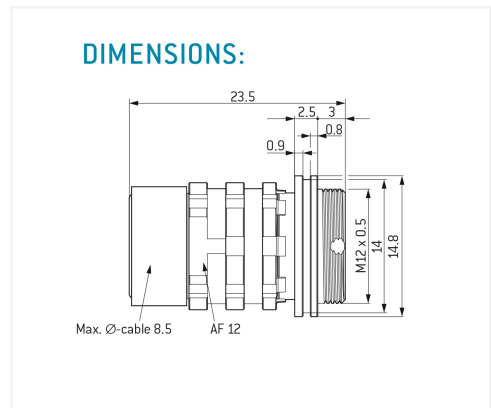
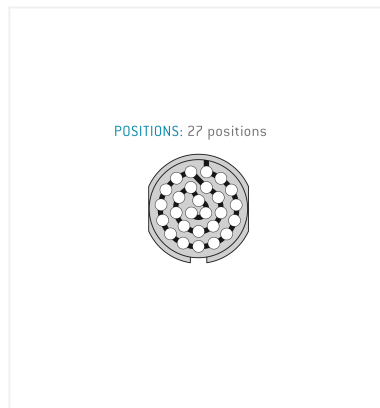
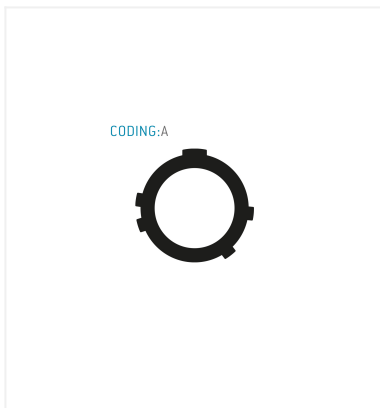
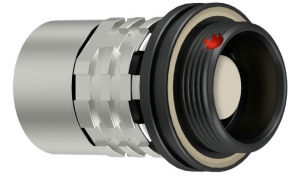


**General information**

Part number	KC1WAM-P27WBC0-0000
Termination	solder
Size	1
Locking principle	break , screw
Coding	a_key_amc
Cable Diameter	cable_amchd_1
Cable outlet	overmolding



**Contact insert description**

Number of contacts	27
Contact type	sockets
Contact diameter	03mm
Insulator material	peek
Wire cross section	28_awg
Termination	solder
Data transmission	hdmi_13

reverse\_gender\_on\_request

**Technical information**

Nominal current single contact	01_a	iec_60512_5_2
Test voltage	075_kv_dc	eia_364_20f

safety\_text

## Mechanical and environmental data

Degree of protection*	ipsk8_ip6k9k
-----------------------	--------------

Operating temperature	51_125_c
-----------------------	----------

Mating cycles	5000
---------------	------

mated

## Material and surface treatments

Housing	ruthenium
---------	-----------

Contact	cu_alloy_gold
---------	---------------

data\_text

safety\_text\_2

data\_text

ul\_text

illustrative\_text