

# VAL-MS 320/1+1 - Type 2 surge arrester



2804380

<https://www.phoenixcontact.com/in/products/2804380>

Please be informed that the data shown in this PDF document is generated from our Online Catalog. Please find the complete data in the user documentation. Our General Terms of Use for Downloads are valid.



Surge arrester for 3-conductor power supply systems (L1, N, PE), consisting of a base element and protective connectors, for mounting on NS 35.

## Your advantages

- Quality proven millions of times over in the widest range of applications
- Rapid installation with bridges, thanks to industry-standard overall width of 1 HP
- Easy testing and insulation measurement, thanks to pluggable protection modules
- Wide range of applications due to various nominal voltages
- High degree of modularity provides individual solutions for every application

## Commercial Data

Item number	2804380
Packing unit	1 pc
Minimum order quantity	1 pc
Sales Key	CL1
Product Key	CL1321
Catalog Page	Page 61 (C-4-2019)
GTIN	4046356317788
Weight per Piece (including packing)	247.6 g
Weight per Piece (excluding packing)	228.5 g
Customs tariff number	85363010
Country of origin	IN

# VAL-MS 320/1+1 - Type 2 surge arrester

2804380

<https://www.phoenixcontact.com/in/products/2804380>

## Technical Data

### Product properties

IEC test classification	II
	T2
EN type	T2
IEC power supply system	TN-S
	TT
Type	DIN rail module, two-section, divisible
Product type	Surge arrester
Product family	VALVETRAB MS
Number of positions	2
Surge protection fault message	optical

### Insulation characteristics

Overvoltage category	III
Pollution degree	2

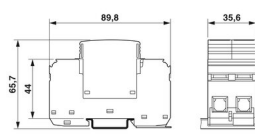
### Electrical properties

Nominal frequency $f_N$	50 Hz (60 Hz)
-------------------------	---------------

### Connection data

Connection method	Screw connection
Screw thread	M5
Tightening torque	3 Nm (1.5 mm <sup>2</sup> ... 16 mm <sup>2</sup> )
	4.5 Nm (25 mm <sup>2</sup> ... 35 mm <sup>2</sup> )
Stripping length	16 mm
Conductor cross section flexible	1.5 mm <sup>2</sup> ... 25 mm <sup>2</sup>
Conductor cross section rigid	1.5 mm <sup>2</sup> ... 35 mm <sup>2</sup>
Conductor cross section AWG	15 ... 2
Connection method	Fork-type cable lug
Conductor cross section flexible	1.5 mm <sup>2</sup> ... 16 mm <sup>2</sup>

### Dimensions

Dimensional drawing	
Width	35.6 mm
Height	89.8 mm
Depth	65.7 mm (incl. DIN rail 7.5 mm)
Horizontal pitch	2 Div.

# VAL-MS 320/1+1 - Type 2 surge arrester



2804380

<https://www.phoenixcontact.com/in/products/2804380>

## Material specifications

Color	jet black RAL 9005
Flammability rating according to UL 94	V-0
CTI value of material	600
Insulating material	PA 6.6/PBT
Material group	I
Housing material	PA 6.6
	PBT

## Protective circuit

Mode of protection	L-N
	L-PE
	N-PE
Direction of action	1L-N & N-PE
Nominal voltage $U_N$	240/415 V AC (TN-S)
	240/415 V AC (TT)
Nominal frequency $f_N$	50 Hz (60 Hz)
Maximum continuous operating voltage $U_C$ (L-N)	335 V AC
Maximum continuous operating voltage $U_C$ (L-PE)	335 V AC
Maximum continuous operating voltage $U_C$ (N-PE)	260 V AC
Rated load current $I_L$	80 A
Residual current $I_{PE}$	$\leq 5 \mu\text{A}$
Standby power consumption $P_C$	$\leq 150 \text{ mVA}$
Nominal discharge current $I_n$ (8/20) $\mu\text{s}$	20 kA
Maximum discharge current $I_{\text{max}}$ (8/20) $\mu\text{s}$	40 kA
Follow current interrupt rating $I_{fi}$ (N-PE)	100 A
Short-circuit current rating $I_{\text{SCCR}}$	25 kA
Voltage protection level $U_p$ (L-N)	$\leq 1.5 \text{ kV}$
Voltage protection level $U_p$ (L-PE)	$\leq 1.8 \text{ kV}$
Voltage protection level $U_p$ (N-PE)	$\leq 1.5 \text{ kV}$
Residual voltage $U_{\text{res}}$ (L-N)	$\leq 1.5 \text{ kV}$ (at $I_n$ )
	$\leq 1.3 \text{ kV}$ (at 10 kA)
	$\leq 1.2 \text{ kV}$ (at 5 kA)
	$\leq 1.1 \text{ kV}$ (at 3 kA)
Residual voltage $U_{\text{res}}$ (L-PE)	$\leq 1.8 \text{ kV}$ (at $I_n$ )
	$\leq 1.4 \text{ kV}$ (at 10 kA)
	$\leq 1.2 \text{ kV}$ (at 5 kA)
	$\leq 1.1 \text{ kV}$ (at 3 kA)
Residual voltage $U_{\text{res}}$ (N-PE)	$\leq 0.4 \text{ kV}$ (at $I_n$ )
	$\leq 0.25 \text{ kV}$ (at 10 kA)
	$\leq 0.15 \text{ kV}$ (at 5 kA)
	$\leq 0.1 \text{ kV}$ (at 3 kA)
TOV behavior at $U_T$ (L-N)	415 V AC (5 s / withstand mode)

# VAL-MS 320/1+1 - Type 2 surge arrester



2804380

<https://www.phoenixcontact.com/in/products/2804380>

	440 V AC (120 min / safe failure mode)
TOV behavior at $U_T$ (N-PE)	1200 V AC (200 ms / withstand mode)
Response time $t_A$ (L-N)	≤ 25 ns
Response time $t_A$ (L-PE)	≤ 100 ns
Response time $t_A$ (N-PE)	≤ 100 ns
Max. backup fuse with V-type through wiring	80 A (gG)
Max. backup fuse with branch wiring	125 A (gG)

## Environmental and real-life conditions

### Ambient conditions

Degree of protection	IP20 (only when all terminal points are used)
Ambient temperature (operation)	-40 °C ... 80 °C
Ambient temperature (storage/transport)	-40 °C ... 80 °C
Altitude	≤ 2000 m (amsl (above mean sea level))
Permissible humidity (operation)	5 % ... 95 %
Shock (operation)	25g (Half-sine / 11 ms / 3x ±X, ±Y, ±Z)
Vibration (operation)	5g (10 ... 500 Hz / 2.5 h / X, Y, Z)

## Approvals

### UL specifications

Maximum continuous operating voltage MCOV (L-L)	640 V AC
Maximum continuous operating voltage MCOV (L-N)	320 V AC
Maximum continuous operating voltage MCOV (L-G)	320 V AC
Maximum continuous operating voltage MCOV (N-G)	260 V AC
Nominal discharge current $I_n$ (L-L)	20 kA
Nominal discharge current $I_n$ (L-N)	20 kA
Nominal discharge current $I_n$ (L-G)	20 kA
Nominal discharge current $I_n$ (N-G)	20 kA
Mode of protection	L-L L-N L-G N-G
Nominal voltage	240 V AC
Power distribution system	Single phase
Nominal frequency	50/60 Hz
Measured limiting voltage MLV (L-L)	2900 V
Measured limiting voltage MLV (L-N)	2030 V
Measured limiting voltage MLV (L-G)	2720 V
Measured limiting voltage MLV (N-G)	1370 V
SPD Type	4CA

### UL connection data

Tightening torque	30 lb <sub>F</sub> -in.
Conductor cross section AWG	14 ... 2

# VAL-MS 320/1+1 - Type 2 surge arrester



2804380

<https://www.phoenixcontact.com/in/products/2804380>

## Standards and regulations

Standards/specifications	IEC 61643-11
Standards/specifications	EN 61643-11

## Mounting

Mounting type	DIN rail: 35 mm
---------------	-----------------

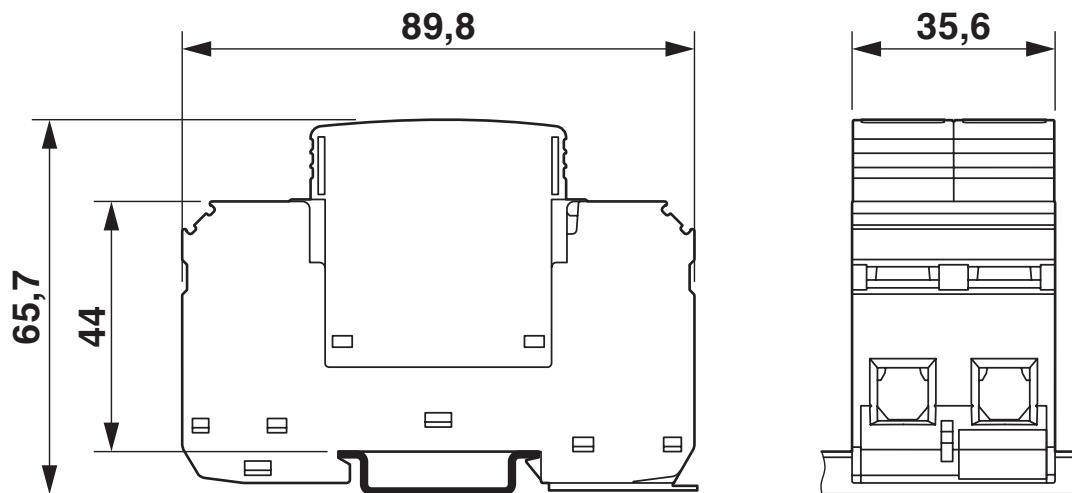
# VAL-MS 320/1+1 - Type 2 surge arrester

2804380

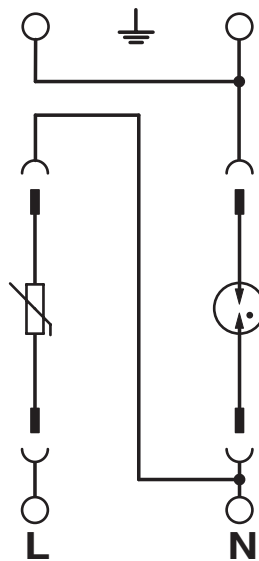
<https://www.phoenixcontact.com/in/products/2804380>

## Drawings

Dimensional drawing



Circuit diagram



# VAL-MS 320/1+1 - Type 2 surge arrester



2804380

<https://www.phoenixcontact.com/in/products/2804380>

## Approvals



**cUL Recognized**

Approval ID: FILE E 330181



**UL Recognized**

Approval ID: FILE E 330181



**IECEE CB Scheme**

Approval ID: AT 2905/M1



**EAC**

Approval ID: EAC-Zulassung



**KEMA-KEUR**

Approval ID: 71-113273 REV.1



**EAC**

Approval ID: RU C-DE.\*09.B.00169



**CSA**

Approval ID: 13631



**ÖVE**

Approval ID: 18583-001-16

# VAL-MS 320/1+1 - Type 2 surge arrester



2804380

<https://www.phoenixcontact.com/in/products/2804380>

## Classifications

### ECLASS

ECLASS-11.0	27130805
ECLASS-13.0	27171202

### ETIM

ETIM 8.0	EC000941
----------	----------

### UNSPSC

UNSPSC 21.0	39121600
-------------	----------



# VAL-MS 320/1+1 - Type 2 surge arrester



2804380

<https://www.phoenixcontact.com/in/products/2804380>

## Environmental Product Compliance

China RoHS	Environmentally friendly use period: unlimited = EFUP-e
	No hazardous substances above threshold values

# VAL-MS 320/1+1 - Type 2 surge arrester

2804380

<https://www.phoenixcontact.com/in/products/2804380>

## Accessories

### ZBN 18,LGS:ERDE - Marker for terminal blocks

2749589

<https://www.phoenixcontact.com/in/products/2749589>



Marker for terminal blocks, Strip, white, labeled, horizontal: Grounding symbol, mounting type: snapped, for terminal block width: 18 mm, lettering field size: 18 x 5 mm, Number of individual labels: 5

---

### ZBN 18,LGS:L1-N,ERDE - Marker for terminal blocks

2749576

<https://www.phoenixcontact.com/in/products/2749576>



Marker for terminal blocks, Strip, white, labeled, horizontal: L1, L2, L3, N, GND, mounting type: snapped, for terminal block width: 18 mm, lettering field size: 18 x 5 mm, Number of individual labels: 5

# VAL-MS 320/1+1 - Type 2 surge arrester

2804380

<https://www.phoenixcontact.com/in/products/2804380>



## ZBN 18:UNBEDRUCKT - Zack marker strip

2809128

<https://www.phoenixcontact.com/in/products/2809128>



Zack marker strip, Strip, white, unlabeled, can be labeled with: CMS-P1-PLOTTER, PLOTMARK, mounting type: snapped, for terminal block width: 18 mm, lettering field size: 18 x 5 mm, Number of individual labels: 5

---

## B-STIFT - Marker pen

1051993

<https://www.phoenixcontact.com/in/products/1051993>



Marker pen, for manual labeling of unprinted Zack strips, smear-proof and waterproof, line thickness 0.5 mm

# VAL-MS 320/1+1 - Type 2 surge arrester

2804380

<https://www.phoenixcontact.com/in/products/2804380>



## DK-BIC-35 - Feed-through terminal block

2749880

<https://www.phoenixcontact.com/in/products/2749880>

Feed-through terminal block for VAL and FLT applications



---

## MPB 18/1- 2 - Wiring bridge

2809209

<https://www.phoenixcontact.com/in/products/2809209>

Wiring bridge for modules with connecting pitch 17.5 mm, 1-phase, 2-pos.



# VAL-MS 320/1+1 - Type 2 surge arrester

2804380

<https://www.phoenixcontact.com/in/products/2804380>

## MPB 18/1- 3 - Wiring bridge

2809212

<https://www.phoenixcontact.com/in/products/2809212>

Wiring bridge for modules with connecting pitch 17.5 mm, 1-phase, 3-pos.



---

## MPB 18/1- 4 - Wiring bridge

2809225

<https://www.phoenixcontact.com/in/products/2809225>

Wiring bridge for modules with connecting pitch 17.5 mm, 1-phase, 4-pos.



# VAL-MS 320/1+1 - Type 2 surge arrester

2804380

<https://www.phoenixcontact.com/in/products/2804380>

## MPB 18/1- 6 - Wiring bridge

2748564

<https://www.phoenixcontact.com/in/products/2748564>



Wiring bridge for modules with connecting pitch 17.5 mm, 1-phase, 6-pos.

---

## MPB 18/1- 7 BU - Wiring bridge

2856278

<https://www.phoenixcontact.com/in/products/2856278>



Wiring bridge for modules with connecting pitch 17.5 mm, 1-phase, 7-pos., color: Blue

# VAL-MS 320/1+1 - Type 2 surge arrester

2804380

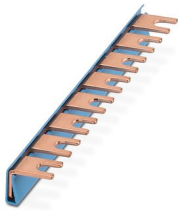
<https://www.phoenixcontact.com/in/products/2804380>



## MPB 18/1- 8 BU - Wiring bridge

2858470

<https://www.phoenixcontact.com/in/products/2858470>



Wiring bridge for modules with connecting pitch 17.5 mm, 1-phase, 8-pos., color: Blue

---

## MPB 18/1- 8 - Wiring bridge

2748577

<https://www.phoenixcontact.com/in/products/2748577>



Wiring bridge for modules with connecting pitch 17.5 mm, 1-phase, 8-pos.

# VAL-MS 320/1+1 - Type 2 surge arrester

2804380

<https://www.phoenixcontact.com/in/products/2804380>

## MPB 18/1- 9 - Wiring bridge

2748580

<https://www.phoenixcontact.com/in/products/2748580>



Wiring bridge for modules with connecting pitch 17.5 mm, 1-phase, 9-pos.

---

## MPB 18/1-12 - Wiring bridge

2748593

<https://www.phoenixcontact.com/in/products/2748593>



Wiring bridge for modules with connecting pitch 17.5 mm, 1-phase, 12-pos.



# VAL-MS 320/1+1 - Type 2 surge arrester

2804380

<https://www.phoenixcontact.com/in/products/2804380>



## VAL-MS 320 ST - Type 2 surge protection plug

2838843

<https://www.phoenixcontact.com/in/products/2838843>



Surge protection connector type 2 with high-capacity varistor for VAL-MS base element, thermal monitoring, visual fault warning. Design: 320 V AC

## F-MS 12 ST - Type 2 surge protection plug

2817990

<https://www.phoenixcontact.com/in/products/2817990>



Surge protection plug type 2, with N-PE total current spark gap for base element.

Phoenix Contact 2023 © - all rights reserved  
<https://www.phoenixcontact.com>

PHOENIX CONTACT (I) Pvt. Ltd.  
A-58/2, Okhla Industrial Area, Phase - II, New Delhi-110 020

+91.1275.71420  
[info@phoenixcontact.co.in](mailto:info@phoenixcontact.co.in)