

SAC-4P-M12MS/ 2,0-28X SH OD - Sensor/actuator cable



1454121

<https://www.phoenixcontact.com/us/products/1454121>

Please be informed that the data shown in this PDF document is generated from our online catalog. Please find the complete data in the user documentation. Our general terms of use for downloads are valid.



Sensor/actuator cable, 4-position halogen-free, shielded, Plug straight M12, coding: A, connected with unwired, on free cable end, cable length: 2 m, for outdoor applications, with high-grade steel knurl

Your advantages

- Easy and safe: 100% electrically tested plug-in components
- Robust throughout: resistant to oil, UV, and ozone, withstands temperatures from -40°C ... +105°C
- Reliable signal transmission – 360° shielding in environments with electromagnetic interference

Commercial data

Item number	1454121
Packing unit	1 pc
Minimum order quantity	1 pc
Sales key	BF03
Product key	BF1CJA
Catalog page	Page 154 (C-4-2013)
GTIN	4046356568739
Weight per piece (including packing)	166.9 g
Weight per piece (excluding packing)	164.3 g
Customs tariff number	85444290
Country of origin	PL

SAC-4P-M12MS/ 2,0-28X SH OD - Sensor/actuator cable



1454121

<https://www.phoenixcontact.com/us/products/1454121>

Technical data

Product properties

Product type	Sensor/actuator cable
Number of positions	4
Application	External areas
No. of cable outlets	1
Shielded	yes
Coding	A

Insulation characteristics

Degree of pollution	3
---------------------	---

Material specifications

Flammability rating according to UL 94	V0
Seal material	FPM
Material of grip body	PP
Contact material	CuSn
Contact surface material	Ni/Au
Contact carrier material	PP
Material for screw connection	Stainless steel

Electrical properties

Contact resistance	$\leq 5 \text{ m}\Omega$
Insulation resistance	$\geq 100 \text{ M}\Omega$
Nominal voltage U_N	48 V AC
	60 V DC
Nominal current I_N	4 A
Protective circuit	unwired

Mechanical properties

Mechanical data

Insertion/withdrawal cycles	≥ 100
-----------------------------	------------

Signaling

Status display	No
Status display present	No

Connection data

Conductor connection

Tightening torque	0.4 Nm (M12 connector)
-------------------	------------------------

Connector

SAC-4P-M12MS/ 2,0-28X SH OD - Sensor/actuator cable



1454121

<https://www.phoenixcontact.com/us/products/1454121>

Connection 1

Type	Plug straight M12
Number of positions	4
Coding type	A
Number of positions	4

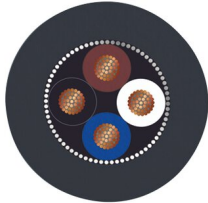
Connection 2

Type	free cable end
------	----------------

Cable/line

Cable length	2 m
--------------	-----

PE-X black [28X]

Dimensional drawing	
Cable weight	74 kg/km
Number of positions	4
Shielded	yes
Cable type	PE-X black [28X]
Conductor structure signal line	28x 0.15 mm
AWG signal line	20
Conductor cross section	4x 0.5 mm ² (Signal line)
Wire diameter incl. insulation	1.6 mm ±0.05 mm (Signal line)
External cable diameter	6.8 mm ±0.2 mm
Outer sheath, material	PE-X
External sheath, color	black-gray RAL 7021
Conductor material	Bare Cu litz wires
Material wire insulation	PE-X
Single wire, color	brown, white, blue, black
Thickness, insulation	approx. 0.3 mm (Core insulation) approx. 0.7 mm (Outer cable sheath) approx. 0.45 mm (Inner sheath)
Overall twist	4 wires, twisted
Length of twist, overall twist	108.8 mm
Optical shield covering	85 %
Max. conductor resistance	≤ 39 Ω/km (at 20 °C)
Insulation resistance	≥ 100 MΩ*km (at 20 °C) ≤ 100 nF/km (Conductor-conductor, asymmetrical/touching)

SAC-4P-M12MS/ 2,0-28X SH OD - Sensor/actuator cable



1454121

<https://www.phoenixcontact.com/us/products/1454121>

Cable capacity	≤ 85 nF/km (Conductor-conductor, symmetrical/star quad)
	≤ 150 nF/km (Wire/shield)
Nominal voltage, cable	≤ 300 V AC
Test voltage	≥ 3000 V AC
Smallest bending radius, fixed installation	34 mm
Smallest bending radius, movable installation	68 mm
Max. bending cycles	1000000
Halogen-free	in accordance with DIN VDE 0472 part 815
Flame resistance	according to DIN 60332-1-2
	according to DIN EN 50266-2-5
Resistance to oil	in accordance with DIN EN 60811-2-1
Other resistance	UV resistant according to DIN VDE 0276-605
Special properties	Irradiated
Ambient temperature (operation)	-40 °C ... 105 °C (cable, fixed installation)
	-15 °C ... 105 °C (Cable, flexible installation)

Environmental and real-life conditions

Ambient conditions

Degree of protection	IP65
	IP67
	IP68
	IP69K
Ambient temperature (operation)	-40 °C ... 105 °C (Plug / socket)
	-40 °C ... 85 °C (On sudden changes in temperature (according to IEC 60512-11-4))

Standards and regulations

M12

Standard designation	M12 connector
Standards/specifications	IEC 61076-2-101

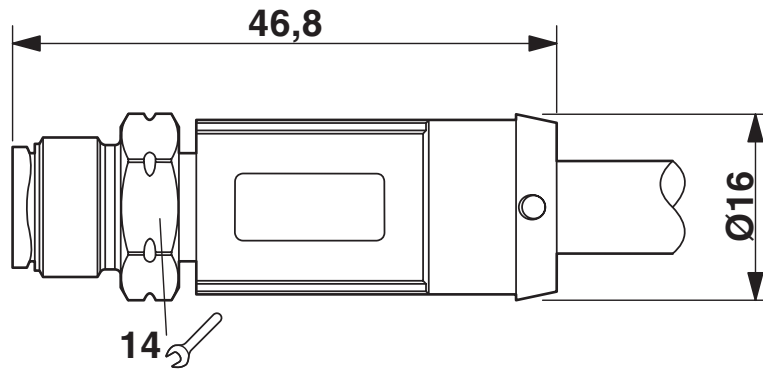
SAC-4P-M12MS/ 2,0-28X SH OD - Sensor/actuator cable

1454121

<https://www.phoenixcontact.com/us/products/1454121>

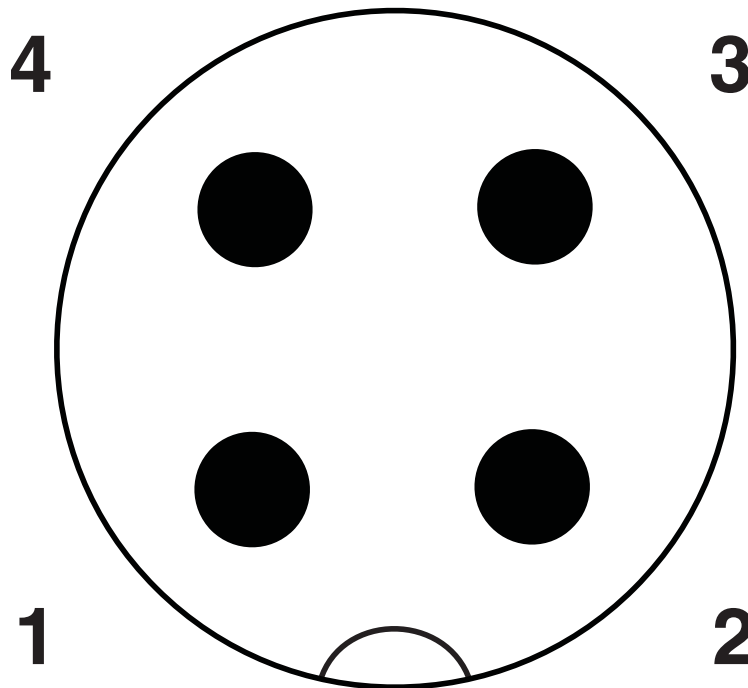
Drawings

Dimensional drawing



Plug, M12 x 1, straight, shielded

Schematic diagram



Pin assignment M12 plug, 4-pos., A-coded, view plug side

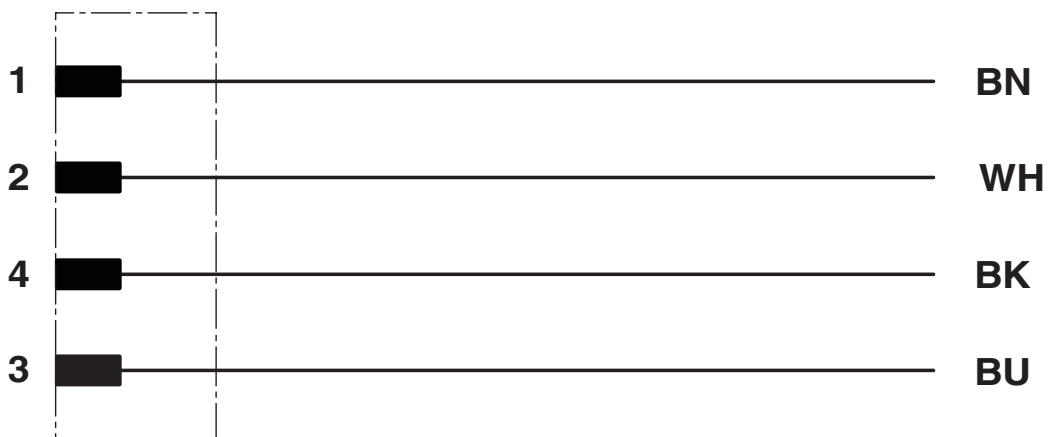
SAC-4P-M12MS/ 2,0-28X SH OD - Sensor/actuator cable



1454121

<https://www.phoenixcontact.com/us/products/1454121>

Circuit diagram



SAC-4P-M12MS/ 2,0-28X SH OD - Sensor/actuator cable



1454121

<https://www.phoenixcontact.com/us/products/1454121>

Approvals

🔗 To download certificates, visit the product detail page: <https://www.phoenixcontact.com/us/products/1454121>

DNV

Approval ID: TAE00002K4



EAC

Approval ID: RU C-DE.BL08.B.00286



EAC-RoHS

Approval ID: RU D-DE.HB35.B.00387

SAC-4P-M12MS/ 2,0-28X SH OD - Sensor/actuator cable



1454121

<https://www.phoenixcontact.com/us/products/1454121>

Classifications

ECLASS

ECLASS-11.0	27060311
ECLASS-12.0	27060311
ECLASS-13.0	27060311

ETIM

ETIM 8.0	EC001855
----------	----------

UNSPSC

UNSPSC 21.0	26121600
-------------	----------

SAC-4P-M12MS/ 2,0-28X SH OD - Sensor/actuator cable



1454121

<https://www.phoenixcontact.com/us/products/1454121>

Environmental product compliance

China RoHS	Environmentally friendly use period: unlimited = EFUP-e
	No hazardous substances above threshold values

SAC-4P-M12MS/ 2,0-28X SH OD - Sensor/actuator cable



1454121

<https://www.phoenixcontact.com/us/products/1454121>

Accessories

SACC-M12FS-5CON-DM 5-8 SH VA - Connector

1440041

<https://www.phoenixcontact.com/us/products/1440041>



Connector, 5-position, shielded, Socket straight M12, A, Screw connection, knurl material: Stainless steel 1.4404, cable gland M16, external cable diameter 5.5 mm ... 8.6 mm

TSD 04 SAC - Torque screwdriver

1208429

<https://www.phoenixcontact.com/us/products/1208429>



Torque screwdriver, with preset torque of 0.4 Nm and 4 mm hexagonal drive for M12 connectors

SAC-4P-M12MS/ 2,0-28X SH OD - Sensor/actuator cable



1454121

<https://www.phoenixcontact.com/us/products/1454121>

TSD-M 1,2NM - Torque screwdriver

1212224

<https://www.phoenixcontact.com/us/products/1212224>



Torque screw driver, accuracy as per EN ISO 6789 standard, adjustable from 0.3 - 1.2 Nm

TSD-M SAC-BIT ADAPTER - Adapter insert

1212600

<https://www.phoenixcontact.com/us/products/1212600>



Adapter bit for TSD-M...torque tools, E6.3-1/4" drive with 4 mm hexagon to accommodate SAC bits

SAC-4P-M12MS/ 2,0-28X SH OD - Sensor/actuator cable



1454121

<https://www.phoenixcontact.com/us/products/1454121>

SAC BIT M12-W14 - Tool

1212513

<https://www.phoenixcontact.com/us/products/1212513>

Nut for assembling sensor/actuator cables with M12 connector and M12 connectors for assembly, with a hexagonal knurl wrench size of 14 mm, with 4 mm hexagonal drive



Phoenix Contact 2023 © - all rights reserved

<https://www.phoenixcontact.com>

Phoenix Contact USA
586 Fulling Mill Road
Middletown, PA 17057, United States
(+717) 944-1300
info@phoenixcon.com