

EV-GBG4C-DC250A-5,0M70ESBK01 - DC charging cable



1031379

<https://www.phoenixcontact.com/in/products/1031379>

Please be informed that the data shown in this PDF document is generated from our online catalog. Please find the complete data in the user documentation. Our general terms of use for downloads are valid.



CHARX connect standard, DC charging cable, with vehicle charging connector and open cable end, for charging electric vehicles (EV) with direct current (DC), with protective cap, with analog temperature sensors, GB/T, GB/T 20234.1-2015, GB/T 20234.3-2015, 250 A / 1000 V (DC), housing: black, gray, PHOENIX CONTACT logo, cable: 5 m, black, straight, Special stripping length, Ferrules

Product description

DC charging cable with vehicle charging connector and free cable end for fast charging of electric vehicles (EV) with direct current (DC) via GB/T vehicle charging inlets, for installation at charging stations for e-mobility (EVSE)

Your advantages

- Complete product range
- The right charging cable for every application, from the carport to the charging park
- Convenient handling due to the ergonomic design
- Available with your logo on request – for consistent branding of your charging station
- Developed and produced in accordance with the IATF 16949 automotive standard and ISO 9001
- Safe against overheating with temperature measurement at every DC power contact

Commercial data

Item number	1031379
Packing unit	1 pc
Minimum order quantity	1 pc
Sales key	XWB
Product key	XWBAAG
Catalog page	Page 13 (C-7-2019)
GTIN	4055626534664
Weight per piece (including packing)	18,220 g
Weight per piece (excluding packing)	17,720 g
Customs tariff number	85444290
Country of origin	CN

EV-GBG4C-DC250A-5,0M70ESBK01 - DC charging cable



1031379

<https://www.phoenixcontact.com/in/products/1031379>

Technical data

Notes

Trade restriction

CE note	The products are offered exclusively for export outside the EU and the European Economic Area.
---------	--

Product properties

Product type	DC charging cable
Product family	CHARX connect standard
Application	for charging electric vehicles (EV) with direct current (DC) for installation at charging stations for electromobility (EVSE)
Type	DC charging cable with vehicle charging connector and open cable end
Design	with protective cap with analog temperature sensors
Affixed logo	PHOENIX CONTACT logo
Charging standard	GB/T
Charging mode	Mode 4

Electrical properties

Note on the connection method	Crimp connection, cannot be disconnected
Coding	1000 Ω (between PE and CC1 / PE and CC2)
Type of charging current	DC
Charging power	250 kW
Charging current	250 A

Power contact

Number	3 (PE, DC+, DC-)
Rated voltage	1000 V DC
Rated current	250 A

Signal contact

Number	6 (S+, S-, A+, A-, CC1, CC2)
Rated voltage	30 V
Rated current	20 A ((A+, A-))

Temperature sensors (Pt 1000)

Sensor type	Pt 1000
Standards/regulations	DIN EN 60751
Attachment point	Sensor for the DC contacts
Switch-off temperature	90 °C \pm 1 K (equivalent to a Pt 1000 value of 1346.5 Ω)
Long-term stability	0.06 % (after 1000 hours at 130 °C)
Recommended measured current	1 mA (1 V at 0°C)
Coefficient	3850 ppm/K

EV-GBG4C-DC250A-5,0M70ESBK01 - DC charging cable



1031379

<https://www.phoenixcontact.com/in/products/1031379>

Ambient temperature	-50 °C ... 130 °C (Operation)
---------------------	-------------------------------

Dimensions

Vehicle charging connector

Width	77 mm
Height	137.8 mm
Depth	279.4 mm

Material specifications

Color (Housing)	black (9005)
Color (Handle area)	gray (7042)
Color (Mating face)	black (9005)
Color (Protective cap)	black (9005)
Color (Cable)	black (9005)
Material (Vehicle charging connector)	Plastic
Material (Contact surface)	Silver

Cable/line

Cable length	5 m
Wiring standards/regulations	GB/T 33594-2017
Wiring certifications	CQC1105-2015
Cable type	Class 5/6
Cable type	straight
Cable structure	2 x 70 mm ² + 1 x 25 mm ² + 2 x 4 mm ² + (2 x 0.75 mm ²) P + 10 x 0.75 mm ²
Outer sheath, material	TPU

Mechanical properties

Mechanical data

Insertion/withdrawal cycles	> 10000
Insertion force	< 100 N
Withdrawal force	< 100 N

Environmental and real-life conditions

Ambient conditions

Degree of protection (Vehicle charging connector)	IP55 (plugged in; when plugged in and ready to operate, the degree of protection is only ensued if both plug-in components are original products from Phoenix Contact or suitable standard-compliant products)
Degree of protection (Protective cover)	IP54
Ambient temperature (operation)	-30 °C ... 50 °C
Ambient temperature (storage/transport)	-40 °C ... 80 °C
Altitude	5000 m (above sea level)

EV-GBG4C-DC250A-5,0M70ESBK01 - DC charging cable



1031379

<https://www.phoenixcontact.com/in/products/1031379>

Standards and regulations

Standards

Standards/regulations

GB/T 20234.1-2015, GB/T 20234.3-2015

EV-GBG4C-DC250A-5,0M70ESBK01 - DC charging cable

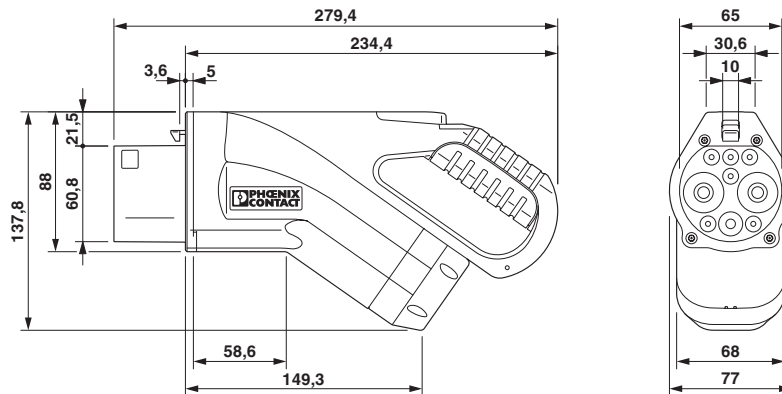


1031379

<https://www.phoenixcontact.com/in/products/1031379>

Drawings

Dimensional drawing



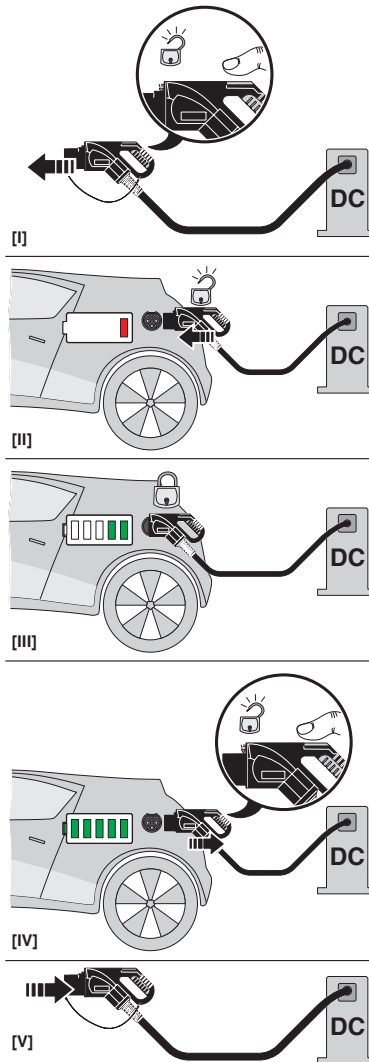
Make sure that the vehicle charging connector is placed in an appropriate charging connector holder, which ensures a minimum protection rating of IP24 in accordance with IEC 61851-1, for the entire time between charging. To create this charging connector holder, use the dimensions of the vehicle charging connector. Detailed dimensions can also be found in the Download area.

EV-GBG4C-DC250A-5,0M70ESBK01 - DC charging cable

1031379

<https://www.phoenixcontact.com/in/products/1031379>

Schematic diagram

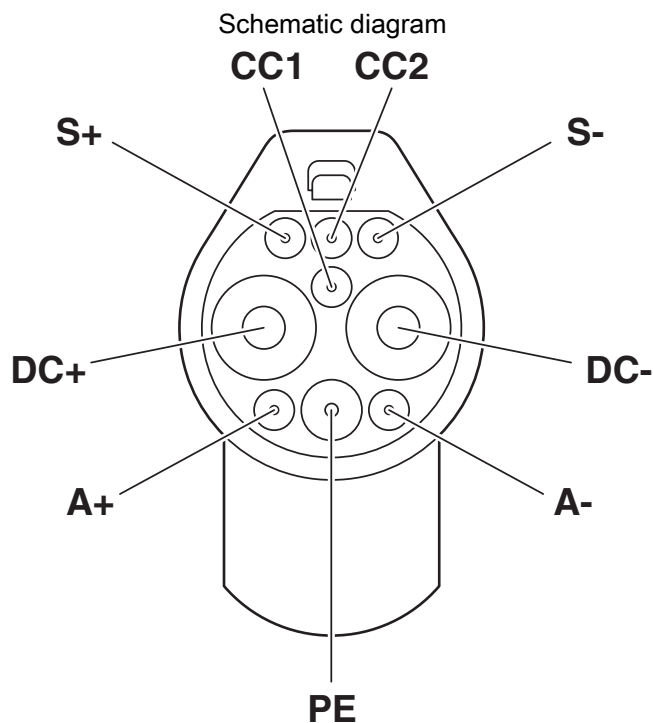


Operating instructions

EV-GBG4C-DC250A-5,0M70ESBK01 - DC charging cable

1031379

<https://www.phoenixcontact.com/in/products/1031379>



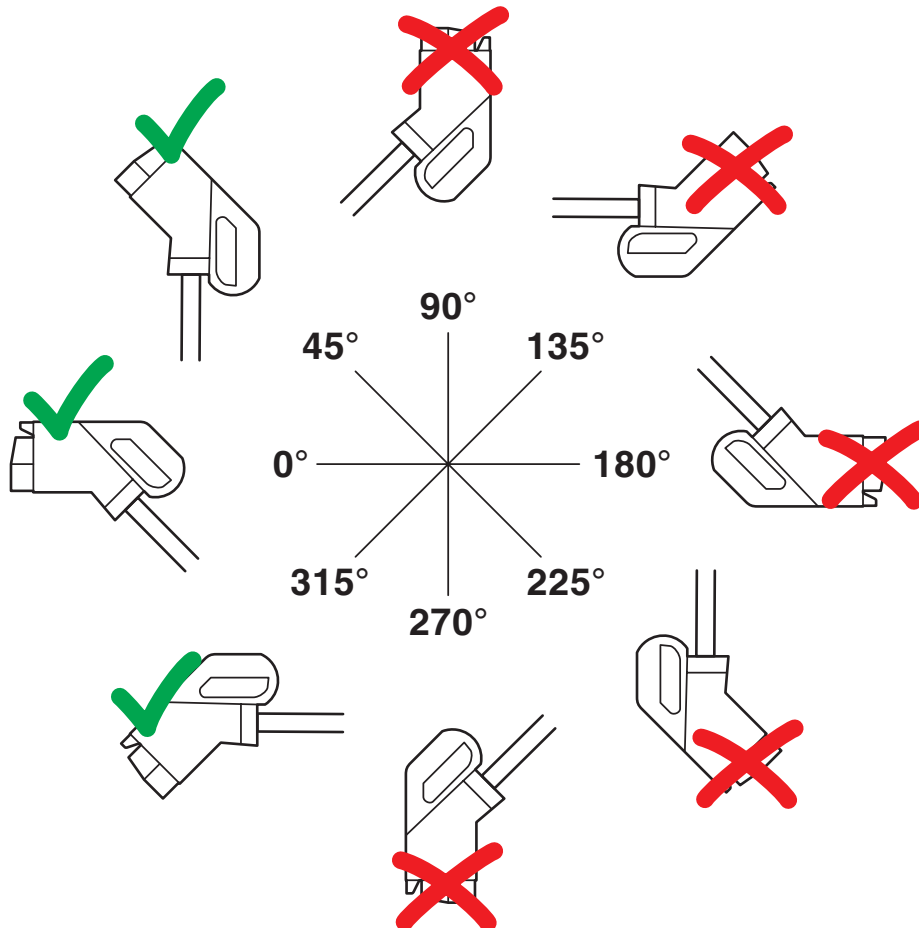
Pin assignment of the Vehicle Connector

EV-GBG4C-DC250A-5,0M70ESBK01 - DC charging cable

1031379

<https://www.phoenixcontact.com/in/products/1031379>

Schematic diagram



The resting position must be installed in the charging station such that the user cannot hang up the vehicle connector upside down (90° to 270°). However, positions rotated upward (45°) or downward (315°) are options for a resting position.

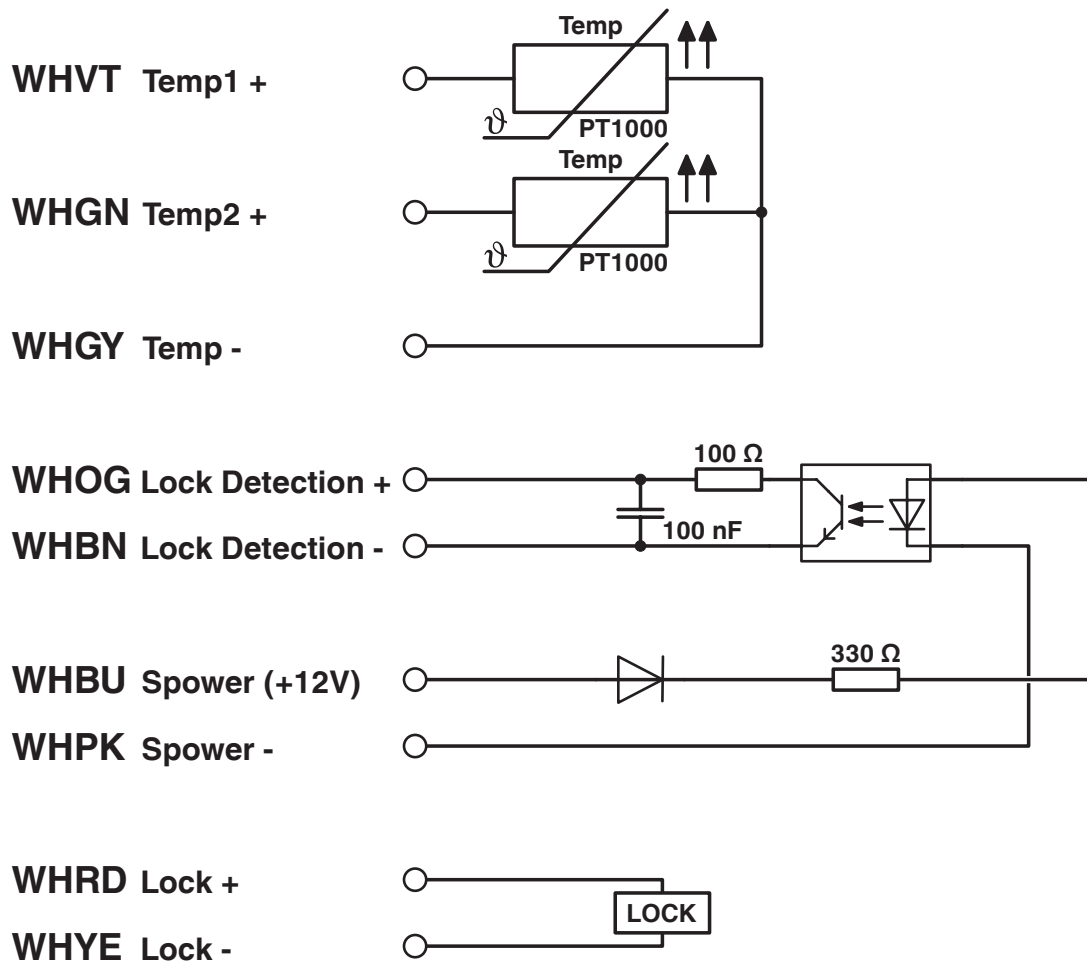
EV-GBG4C-DC250A-5,0M70ESBK01 - DC charging cable



1031379

<https://www.phoenixcontact.com/in/products/1031379>

Block diagram

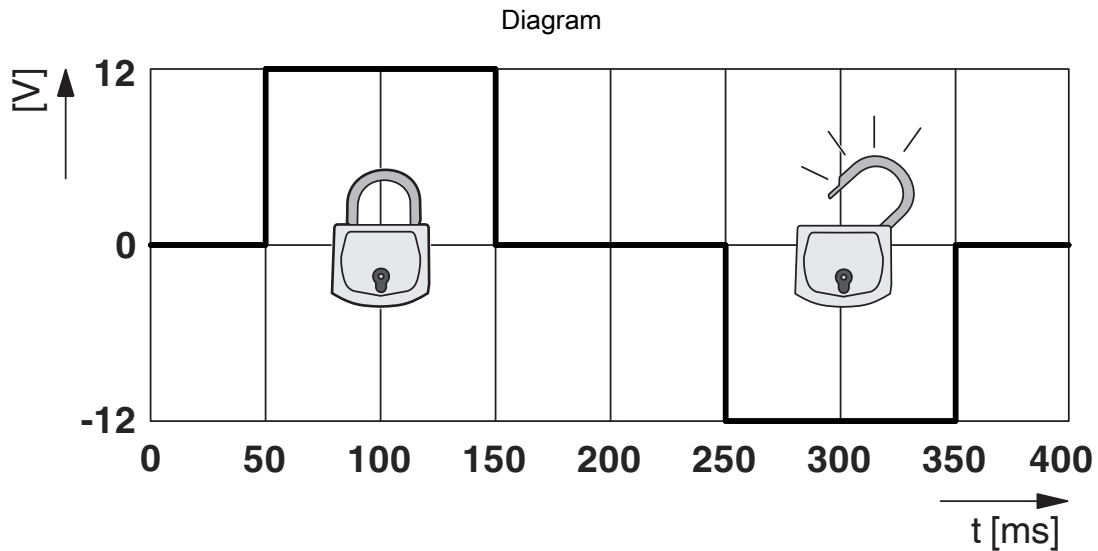


Block diagram GB/T DC

EV-GBG4C-DC250A-5,0M70ESBK01 - DC charging cable

1031379

<https://www.phoenixcontact.com/in/products/1031379>



Locking: The locking lever is locked via the Lock+ (WHRD) and Lock- (WHYE) connecting cables with an operating voltage of 12 V/2 A locked/unlocked.

The state is changed (lock <-> unlock) by reversing the polarity of the power supply.

The operating voltage is applied to LOCK + (WHRD) to lock.

The operating voltage is applied to LOCK - (WHYE) to unlock.

During this process, the time window for current supply must be between 50 ms ... 100 ms (continuous energization > 100 ms damages the locking actuator).

EV-GBG4C-DC250A-5,0M70ESBK01 - DC charging cable



1031379

<https://www.phoenixcontact.com/in/products/1031379>

Classifications

ECLASS

ECLASS-11.0	27144705
ECLASS-12.0	27144705
ECLASS-13.0	27144705

ETIM

ETIM 8.0	EC002897
----------	----------

EV-GBG4C-DC250A-5,0M70ESBK01 - DC charging cable



1031379

<https://www.phoenixcontact.com/in/products/1031379>

Environmental product compliance

REACH SVHC	Lead 7439-92-1
China RoHS	Environmentally Friendly Use Period = 10;
	For information on hazardous substances, refer to the manufacturer's declaration available under "Downloads"

EV-GBG4C-DC250A-5,0M70ESBK01 - DC charging cable



1031379

<https://www.phoenixcontact.com/in/products/1031379>

Accessories

EV-GBDC-PARK-R - Charging connector holder

1623496

<https://www.phoenixcontact.com/in/products/1623496>



CHARX connect, Charging connector holder, Accessories, for vehicle charging connectors on charging stations (EVSE), GB/T, GB/T 20234.3, Front mounting, housing: black

EV-GBDC-PARK-SW - Charging connector holder

1623497

<https://www.phoenixcontact.com/in/products/1623497>



CHARX connect, Charging connector holder, Accessories, for vehicle charging connectors on charging stations (EVSE), GB/T, GB/T 20234.3, Front mounting, Park position with pushbutton (N/C contact) to detect the plug state., housing: black

EV-GBG4C-DC250A-5,0M70ESBK01 - DC charging cable

1031379

<https://www.phoenixcontact.com/in/products/1031379>

EV-GBDC-PARK - Charging connector holder

1623770

<https://www.phoenixcontact.com/in/products/1623770>



CHARX connect, Charging connector holder, Accessories, for vehicle charging connectors on charging stations (EVSE), GB/T, GB/T 20234.3, Front mounting, housing: black

G-INS-M50-L68L-PNES-BK - Cable gland

1411138

<https://www.phoenixcontact.com/in/products/1411138>



Cable gland, material for screw connection: PA, external cable diameter 30 mm .
.. 36 mm, shielding: no, connecting thread: M50 x 1.5, color: jet black RAL 9005

EV-GBG4C-DC250A-5,0M70ESBK01 - DC charging cable

1031379

<https://www.phoenixcontact.com/in/products/1031379>

CHARX PS/3AC/920DC/87.5KW - DC power module

1162690

<https://www.phoenixcontact.com/in/products/1162690>



CHARX power basic, Fast charging module for setting up DC charging stations, Rack mounting, input: 3-phase, output: 200 V DC...920 V DC / 125 A. The corresponding system control cabinet CHARX PS-CAB/4x87.5KW (Item No. 1165442) is necessary for operating the DC power module

CHARX PS-M2/3AC/1000DC/30KW - DC power module

1232243

<https://www.phoenixcontact.com/in/products/1232243>



CHARX power basic, Fast charging module for setting up DC charging stations, 19" rack mounting, CAN bus, input: 3-phase, output: 150 V DC...1000 V DC / 0 A...100 A

EV-GBG4C-DC250A-5,0M70ESBK01 - DC charging cable



1031379

<https://www.phoenixcontact.com/in/products/1031379>

CHARX PS-M2/825DC/1000DC/30KW - DC power module

1296467

<https://www.phoenixcontact.com/in/products/1296467>

CHARX power basic, Fast charging module for setting up DC charging stations, 19" rack mounting, CAN bus, output: 150 V DC...1000 V DC / 0 A...100 A



Phoenix Contact 2023 © - all rights reserved

<https://www.phoenixcontact.com>

PHOENIX CONTACT (I) Pvt. Ltd.

A-58/2, Okhla Industrial Area, Phase - II, New Delhi-110 020

+91.1275.71420

info@phoenixcontact.co.in