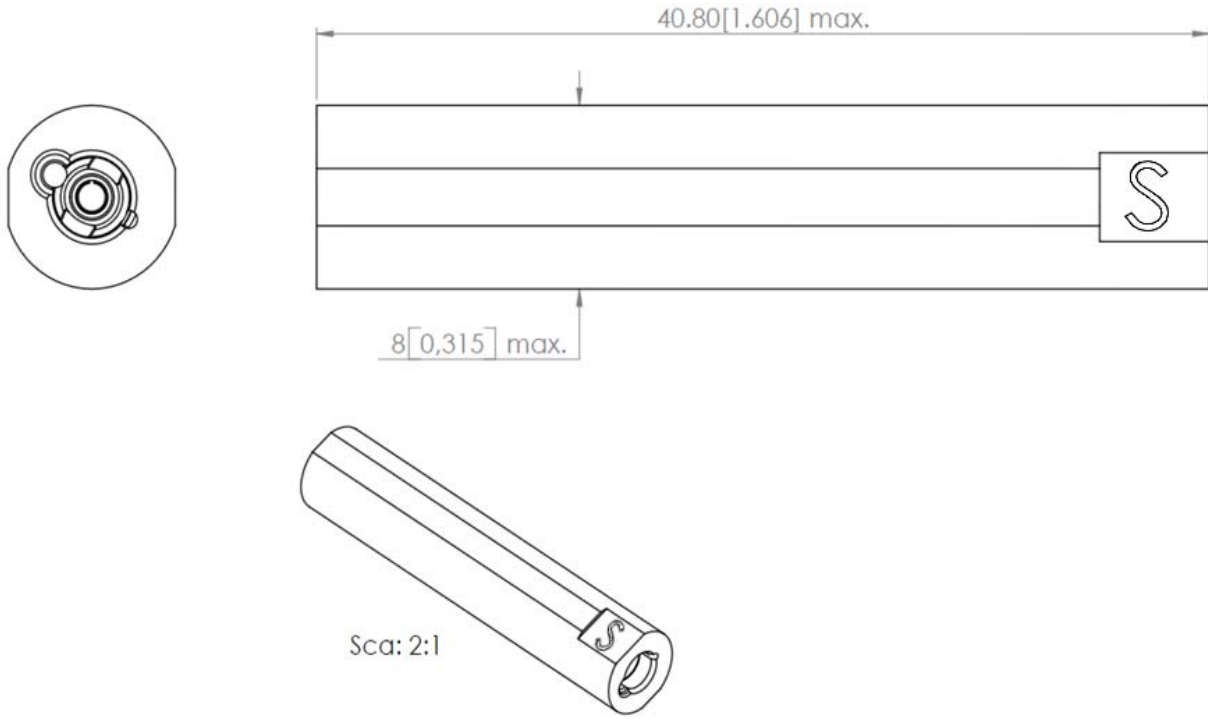


| | | | |
|----------|----------------|---------------|-------------------------------|
| PAGE 1/1 | ISSUE 23/10/14 | SERIES LUXCIS | PART NUMBER F725700100 |
|----------|----------------|---------------|-------------------------------|

LUXCIS® TO LUXCIS® SIMPLEX STRAIGHT ADAPTER



Dimensions: mm [inches]

GENERAL

Type: LuxCis® to LuxCis® simplex bulkhead feedthrough adapter

Contact: LuxCis® ARINC 801 fiber optic contact

Insertion/extraction: Use the tool 282 515 Standard M81969/14-03.
Refer to 503 08 595 Insertion & extraction procedure.

CHARACTERISTICS

Mechanical: Endurance : 200 matings

Environmental: Storage temperature: -40°C / +85°C

Operating temperature: -40°C / +85°C