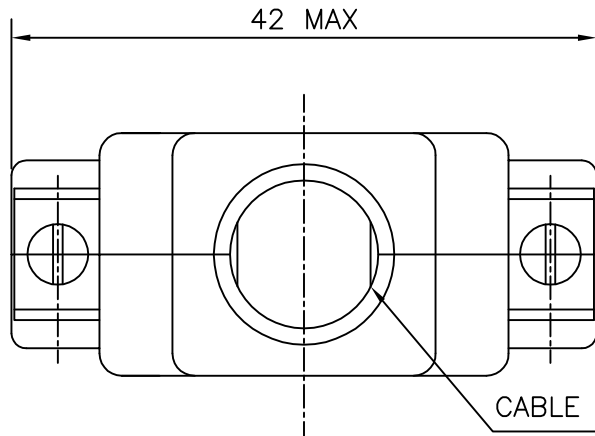
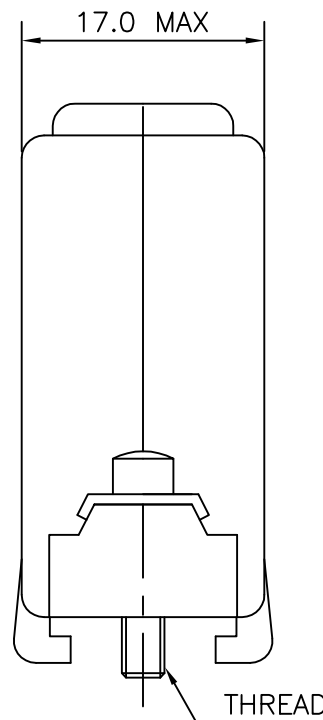
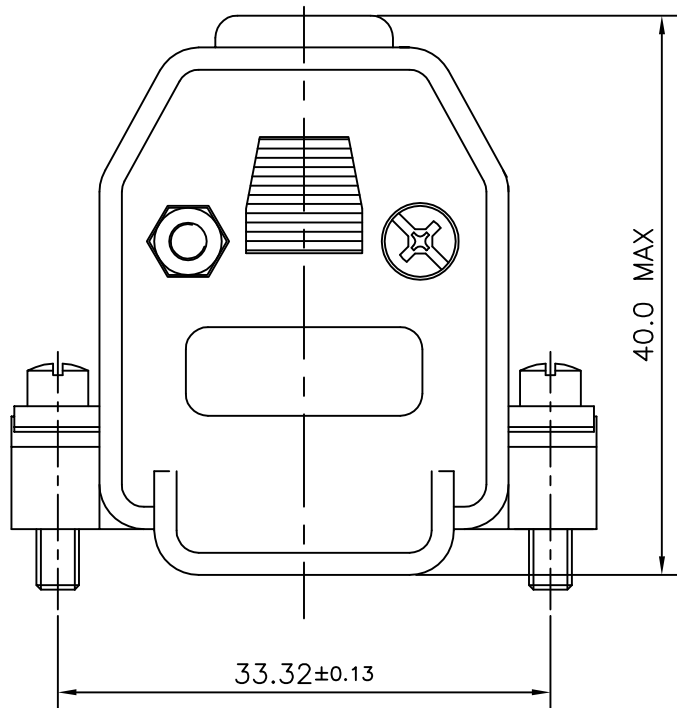


2	8630-CH15UNCLF	UNC 440
1	8630-CH15M3LF	M3
SL.NO.	PART NO:	THREAD



CABLE ENTRY ϕ 10MAX.



THREAD

Amphenol
FCi

"This LF product meets European Union Directives and other country regulations as described in GS-47-0004"

Packaging as per GS-14-920

MATERIALS:
1.ABS UNFILLED UL 94 HB (STANDARD)
2.TEMP RANGE -55°C TO +85°C

mat'l. code				surface		tolerance		projection		product family							
-				ISO 1302 <input checked="" type="checkbox"/>		ISO 406 ISO 1101				D-SUB							
ltr ecn no dr date				tolerances unless otherwise specified						title							
H ELX-I-25452 GREGAR 2016-11-25				angles		linear		mm		CONNECTOR HOOD 15 POS							
				0° ± 1'		.00 ± 0.1		scale NTS									
				dr		engr		chr		appd		dwg no		sheet 1 of 1		size	
				MINI K VANDANATH 1995-24-03		MITHUN PAUL 2016-11-25		GREGAR MATHEW 2016-11-25		BIJU K PAUL 2016-11-25		C-DSUB-0023		A4			
												type		Product Customer Drawing			
sheet index		revision sheet		H													
		1															