

# SACC-E-MS-17CON-M16/0,5 SCO - Device connector front mounting



1556304

<https://www.phoenixcontact.com/in/products/1556304>

Please be informed that the data shown in this PDF document is generated from our Online Catalog. Please find the complete data in the user documentation. Our General Terms of Use for Downloads are valid.



Device connector front mounting, Universal, 17-position, Flush-type male connector, straight, M12-SPEEDCON, coding: A , on free cable end, Front mounting, M16 x 1.5, Individual wires, cable length: 0.5 m, 0.14 mm<sup>2</sup>, TPE litz wire, Alternative product in accordance with RoHS II without Exemption 6c (Pb <0.1%) item no.: 1240048

## Your advantages

- Pre-assembled with litz wires for immediate use
- Customer-specific assemblies and litz wire lengths available
- Sealed on the litz wire side for optimum leak-tightness
- All standard pin assignments and codings for signal, data, and power transmission with a uniform design-in design
- For high transmission safety: shield connection to the housing with optional EMC nut
- SPEEDCON fast locking system reduces cabling times

## Commercial Data

Item number	1556304
Packing unit	1 pc
Minimum order quantity	1 pc
Sales Key	ABQ
Product Key	ABQCDA
Catalog Page	Page 37 (C-2-2019)
GTIN	4046356176767
Weight per Piece (including packing)	31.5 g
Weight per Piece (excluding packing)	31 g
Customs tariff number	85444290
Country of origin	DE

# SACC-E-MS-17CON-M16/0,5 SCO - Device connector front mounting



1556304

<https://www.phoenixcontact.com/in/products/1556304>

## Technical Data

### Notes

Notes on operation	The electrical and mechanical data specified assume that the connector pair is correctly locked and mounted. If the connector is unlocked and if there is a danger of contamination, the connector must be sealed using a protective cap > IP54. Influences arising from litz wires, cables or PCB assembly must also be taken into consideration.
--------------------	--

### Mounting

Mounting type	Front mounting M16 x 1.5
---------------	--------------------------

### Product properties

Product type	Circular connectors (device side)
Number of positions	17
No. of cable outlets	1
Shielded	no
Coding	A

### Insulation characteristics

Overvoltage category	II
Degree of pollution	3

### Material specifications

Flammability rating according to UL 94	V0
Seal material	FKM
Material of grip body	Zinc die-cast, nickel-plated
Contact material	CuZn
Contact surface material	Ni/Au
Contact carrier material	PA 6.6
Material for screw connection	Zinc die-cast, nickel-plated
Conductor material	Tin-plated Cu litz wires

### Electrical properties

Rated surge voltage	0.8 kV
Contact resistance	≤ 3 mΩ
Insulation resistance	≥ 100 MΩ
Nominal voltage $U_N$	30 V (AC)
	30 V (DC)
Nominal current $I_N$	1.5 A

### Connection data

Conductor connection

# SACC-E-MS-17CON-M16/0,5 SCO - Device connector front mounting



1556304

<https://www.phoenixcontact.com/in/products/1556304>

Connection method	Individual wires
Type of contact	Crimp contacts
Conductor cross section	0.14 mm <sup>2</sup>
Tightening torque	3 Nm
	4 Nm

## Connector

### Connection 1

Head design	Flush-type male connector
Head cable outlet	straight
Head thread type	M12
Head locking type	SPEEDCON
Coding	A

### Connection 2

Head design	free cable end
-------------	----------------

## Cable/line

Cable length	0.5 m
Cable type	TPE litz wire
Signal type/category	Universal
Wire diameter incl. insulation	1.1 mm ±0.05 mm
Single wire, color	brown, blue, white, green, pink, yellow, black, gray, red, violet, gray/pink, red/blue, white/green, brown/green, white/yellow, yellow/brown, white/gray
Conductor material	Tin-plated Cu litz wires
Conductor structure signal line	7x 0.16 mm
AWG signal line	26
Material wire insulation	TPE
Thickness, insulation	0.21 mm (Core insulation)
Nominal voltage, cable	300 V
Test voltage, cable	2000 V AC
Cable resistance	≤ 57.6 mΩ/m
Cable insulation resistance	≥ 20 MΩ*km
Ambient temperature (operation)	-40 °C ... 85 °C (cable, fixed installation)
	-25 °C ... 85 °C (Cable, flexible installation)

## Environmental and real-life conditions

### Ambient conditions

Degree of protection	IP67
	IP65/IP67
Ambient temperature (operation)	-25 °C ... 85 °C (Plug / socket)
	-40 °C ... 85 °C (without mechanical actuation)

# SACC-E-MS-17CON-M16/0,5 SCO - Device connector front mounting



1556304

<https://www.phoenixcontact.com/in/products/1556304>

	-25 °C ... 85 °C (Cable, flexible installation)
	-40 °C ... 85 °C (cable, fixed installation)

## Standards and regulations

M12

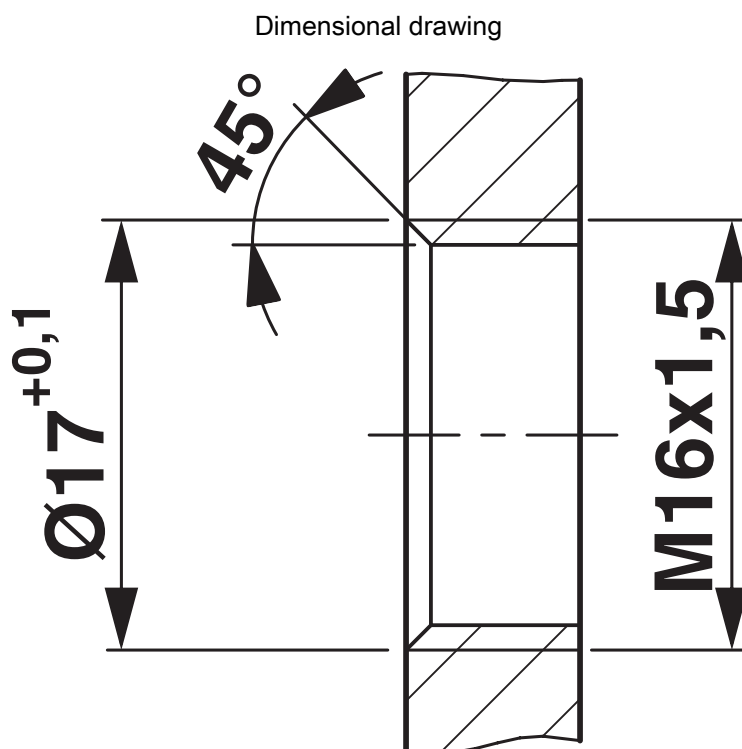
Standards/specifications	IEC 61076-2-101
--------------------------	-----------------

# SACC-E-MS-17CON-M16/0,5 SCO - Device connector front mounting

1556304

<https://www.phoenixcontact.com/in/products/1556304>

## Drawings



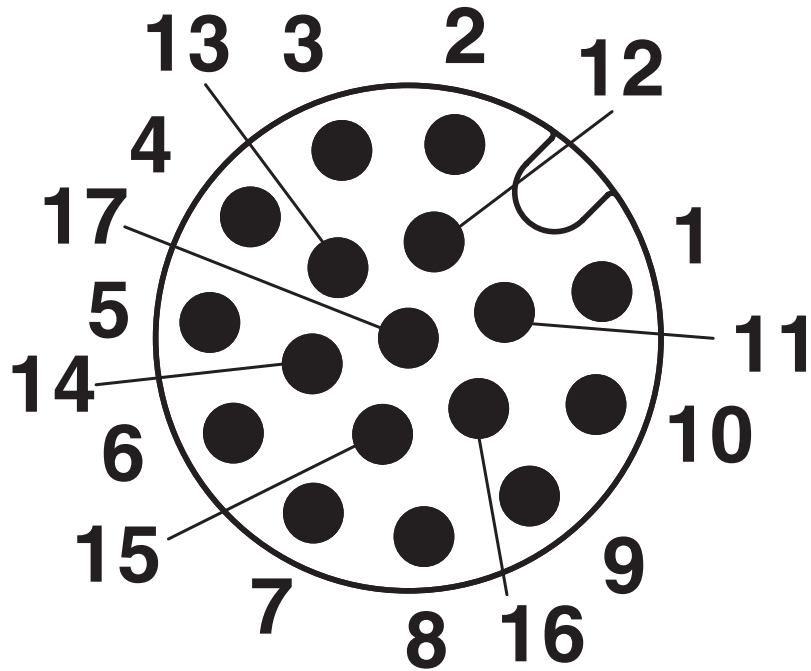
Housing cutout for M16 fastening thread, mounting panel with thread

# SACC-E-MS-17CON-M16/0,5 SCO - Device connector front mounting

1556304

<https://www.phoenixcontact.com/in/products/1556304>

Schematic diagram



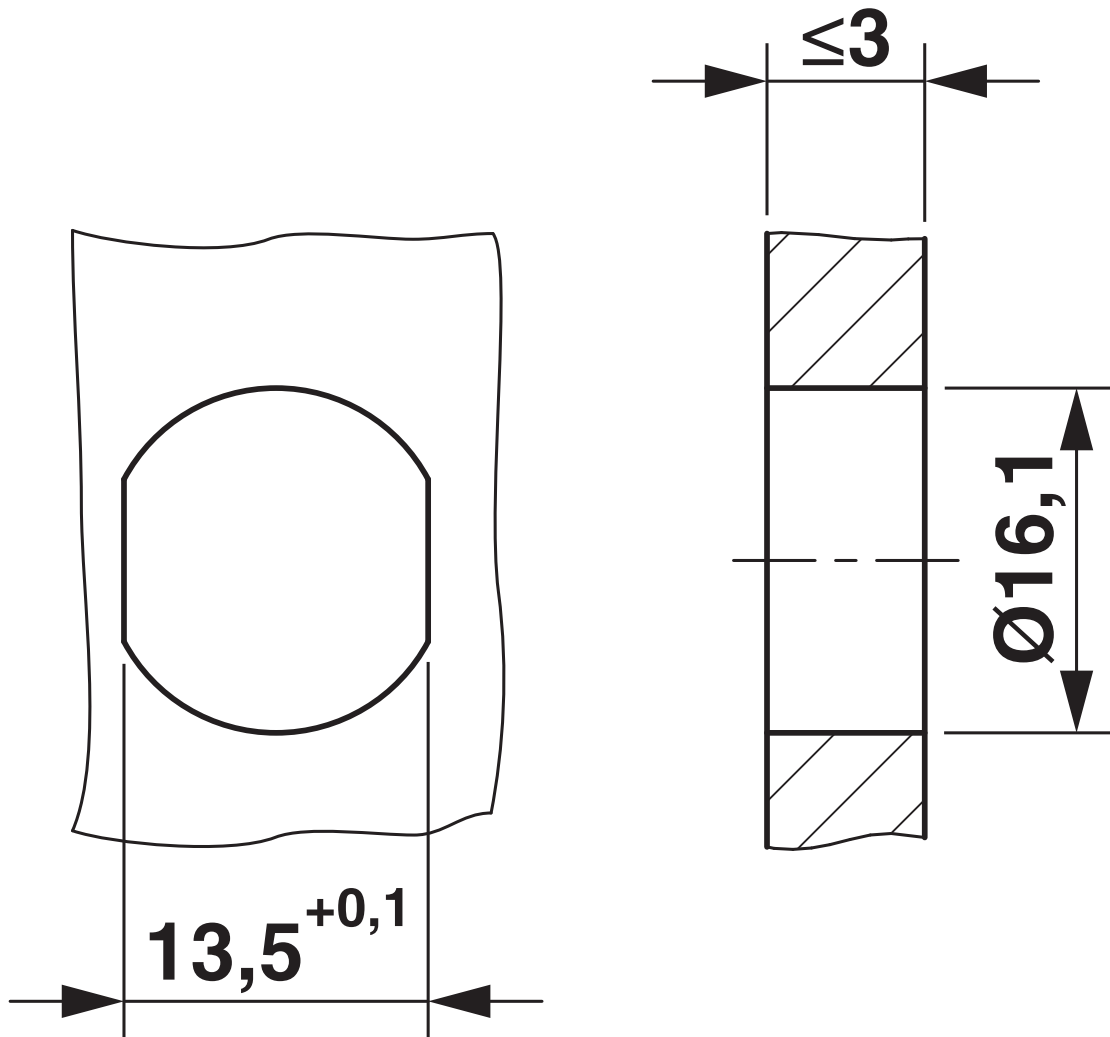
Pin assignment M12 male connector, 17-pos., male side view

# SACC-E-MS-17CON-M16/0,5 SCO - Device connector front mounting

1556304

<https://www.phoenixcontact.com/in/products/1556304>

Dimensional drawing



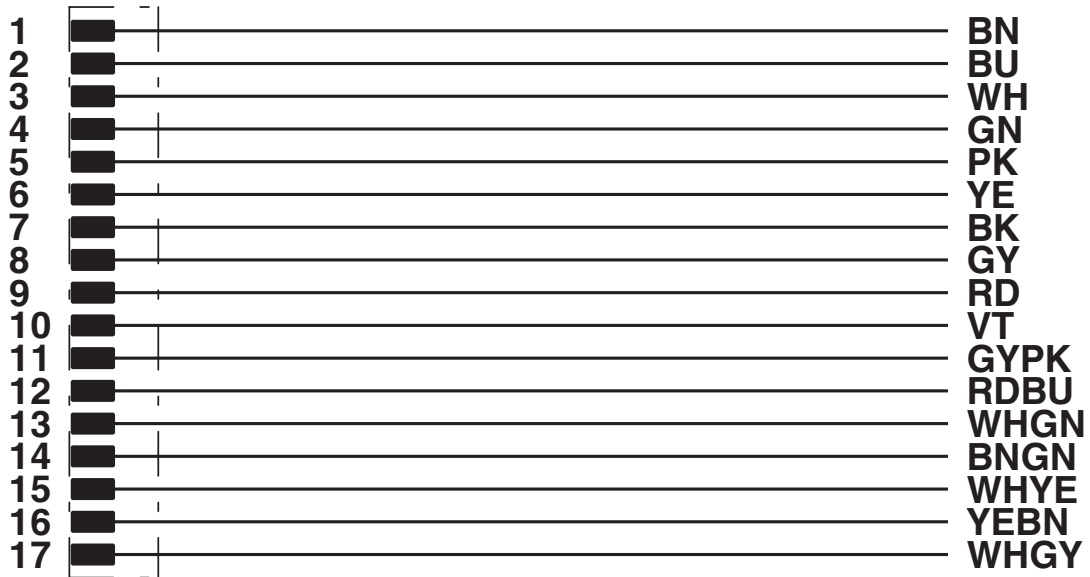
Housing cutout for M16 fastening thread, mounting panel with feed-through hole (alternatively with surface as protection against rotation)

# SACC-E-MS-17CON-M16/0,5 SCO - Device connector front mounting

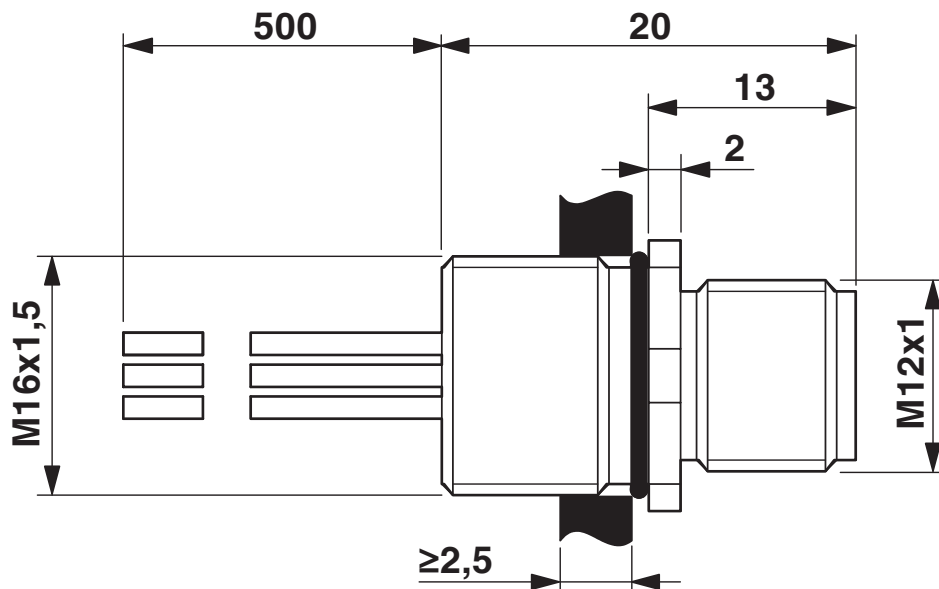
1556304

<https://www.phoenixcontact.com/in/products/1556304>

Circuit diagram



Dimensional drawing



Dimensional drawing



# SACC-E-MS-17CON-M16/0,5 SCO - Device connector front mounting



1556304

<https://www.phoenixcontact.com/in/products/1556304>

## Approvals



**EAC**

Approval ID: B.01687



**cULus Recognized**

Approval ID: E221474-20140616

	Nominal Voltage $U_N$	Nominal Current $I_N$	Cross Section AWG	Cross Section $\text{mm}^2$
	30 V	1.5 A	- 26	-



**UL Recognized**

Approval ID: E118976-20100522

	Nominal Voltage $U_N$	Nominal Current $I_N$	Cross Section AWG	Cross Section $\text{mm}^2$
	30 V	1.5 A	- 26	-

# SACC-E-MS-17CON-M16/0,5 SCO - Device connector front mounting



1556304

<https://www.phoenixcontact.com/in/products/1556304>

## Classifications

### ECLASS

ECLASS-11.0	27440102
ECLASS-12.0	27440116
ECLASS-13.0	27440116

### ETIM

ETIM 8.0	EC002635
----------	----------

### UNSPSC

UNSPSC 21.0	39121400
-------------	----------

# SACC-E-MS-17CON-M16/0,5 SCO - Device connector front mounting



1556304

<https://www.phoenixcontact.com/in/products/1556304>

## Environmental Product Compliance

REACH SVHC	Lead 7439-92-1
China RoHS	Environmentally Friendly Use Period = 50 years
	For information on hazardous substances, refer to the manufacturer's declaration available under "Downloads"

# SACC-E-MS-17CON-M16/0,5 SCO - Device connector front mounting



1556304

<https://www.phoenixcontact.com/in/products/1556304>

## Accessories

### SACC-E-MU-M16 - Flat nut

1504097

<https://www.phoenixcontact.com/in/products/1504097>

Flat nut, Screw mounting, M16 x 1.5, Alternative product in accordance with RoHS II without Exemption 6c (Pb <0.1%) item no.: 1239863



---

### SACC-M16-SEAL CLM - Flat gasket

1430394

<https://www.phoenixcontact.com/in/products/1430394>

M16 flat gasket for M12 flush-type connectors with M16 fastening thread



# SACC-E-MS-17CON-M16/0,5 SCO - Device connector front mounting



1556304

<https://www.phoenixcontact.com/in/products/1556304>

## PROT-M12 FS - Sealing cap

1560251

<https://www.phoenixcontact.com/in/products/1560251>



M12 sealing cap for unoccupied M12 plugs of the sensor/actuator cable, flush-type plugs and I/O devices in the field

---

## PROT-M12 FS-M - Sealing cap

1430488

<https://www.phoenixcontact.com/in/products/1430488>



M12 metal sealing cap for unoccupied M12 plugs of the sensor/actuator cable, flush-type plugs and I/O devices in the field

---

Phoenix Contact 2023 © - all rights reserved

<https://www.phoenixcontact.com>

PHOENIX CONTACT (I) Pvt. Ltd.

A-58/2, Okhla Industrial Area, Phase - II, New Delhi-110 020

+91.1275.71420

[info@phoenixcontact.co.in](mailto:info@phoenixcontact.co.in)