

SACC-E-FS-17CON-M16/0,5 SCO - Device connector front mounting



1556294

<https://www.phoenixcontact.com/in/products/1556294>

Please be informed that the data shown in this PDF document is generated from our Online Catalog. Please find the complete data in the user documentation. Our General Terms of Use for Downloads are valid.



Device connector front mounting, Universal, 17-position, Flush-type female connector, straight, M12-SPEEDCON, coding: A , on free cable end, Front mounting, M16 x 1.5, Individual wires, cable length: 0.5 m, 0.14 mm², TPE litz wire, Alternative product in accordance with RoHS II without Exemption 6c (Pb <0.1%) item no.: 1240047

Your advantages

- Pre-assembled with litz wires for immediate use
- Customer-specific assemblies and litz wire lengths available
- Sealed on the litz wire side for optimum leak-tightness
- All standard pin assignments and codings for signal, data, and power transmission with a uniform design-in design
- For high transmission safety: shield connection to the housing with optional EMC nut
- SPEEDCON fast locking system reduces cabling times

Commercial Data

Item number	1556294
Packing unit	1 pc
Minimum order quantity	1 pc
Sales Key	ABQ
Product Key	ABQCDB
Catalog Page	Page 37 (C-2-2019)
GTIN	4046356176774
Weight per Piece (including packing)	33.5 g
Weight per Piece (excluding packing)	33.5 g
Customs tariff number	85444290
Country of origin	DE

SACC-E-FS-17CON-M16/0,5 SCO - Device connector front mounting



1556294

<https://www.phoenixcontact.com/in/products/1556294>

Technical Data

Notes

Notes on operation	The electrical and mechanical data specified assume that the connector pair is correctly locked and mounted. If the connector is unlocked and if there is a danger of contamination, the connector must be sealed using a protective cap > IP54. Influences arising from litz wires, cables or PCB assembly must also be taken into consideration.
--------------------	--

Mounting

Mounting type	Front mounting M16 x 1.5
---------------	--------------------------

Product properties

Product type	Circular connectors (device side)
Number of positions	17
No. of cable outlets	1
Shielded	no
Coding	A

Insulation characteristics

Overvoltage category	II
Degree of pollution	3

Material specifications

Flammability rating according to UL 94	V0
Seal material	FKM
Material of grip body	Zinc die-cast, nickel-plated
Contact material	CuZn
Contact surface material	Ni/Au
Contact carrier material	PA 6.6
Material for screw connection	Zinc die-cast, nickel-plated
Conductor material	Tin-plated Cu litz wires

Electrical properties

Rated surge voltage	0.8 kV
Contact resistance	≤ 3 mΩ
Insulation resistance	≥ 100 MΩ
Nominal voltage U_N	30 V (AC)
	30 V (DC)
Nominal current I_N	1.5 A

Connection data

Conductor connection

SACC-E-FS-17CON-M16/0,5 SCO - Device connector front mounting



1556294

<https://www.phoenixcontact.com/in/products/1556294>

Connection method	Individual wires
Type of contact	Crimp contacts
Conductor cross section	0.14 mm ²
Tightening torque	3 Nm
	4 Nm

Connector

Connection 1

Head design	Flush-type female connector
Head cable outlet	straight
Head thread type	M12
Head locking type	SPEEDCON
Coding	A

Connection 2

Head design	free cable end
-------------	----------------

Cable/line

Cable length	0.5 m
Cable type	TPE litz wire
Signal type/category	Universal
Wire diameter incl. insulation	1.1 mm ±0.05 mm
Single wire, color	brown, blue, white, green, pink, yellow, black, gray, red, violet, gray/pink, red/blue, white/green, brown/green, white/yellow, yellow/brown, white/gray
Conductor material	Tin-plated Cu litz wires
Conductor structure signal line	7x 0.16 mm
AWG signal line	26
Material wire insulation	TPE
Thickness, insulation	0.21 mm (Core insulation)
Nominal voltage, cable	300 V
Test voltage, cable	2000 V AC
Cable resistance	≤ 57.6 mΩ/m
Cable insulation resistance	≥ 20 MΩ*km
Ambient temperature (operation)	-40 °C ... 85 °C (cable, fixed installation)
	-25 °C ... 85 °C (Cable, flexible installation)

Environmental and real-life conditions

Ambient conditions

Degree of protection	IP67
	IP65/IP67
Ambient temperature (operation)	-25 °C ... 85 °C (Plug / socket)
	-40 °C ... 85 °C (without mechanical actuation)

SACC-E-FS-17CON-M16/0,5 SCO - Device connector front mounting



1556294

<https://www.phoenixcontact.com/in/products/1556294>

	-25 °C ... 85 °C (Cable, flexible installation)
	-40 °C ... 85 °C (cable, fixed installation)

Standards and regulations

M12

Standards/specifications	IEC 61076-2-101
--------------------------	-----------------

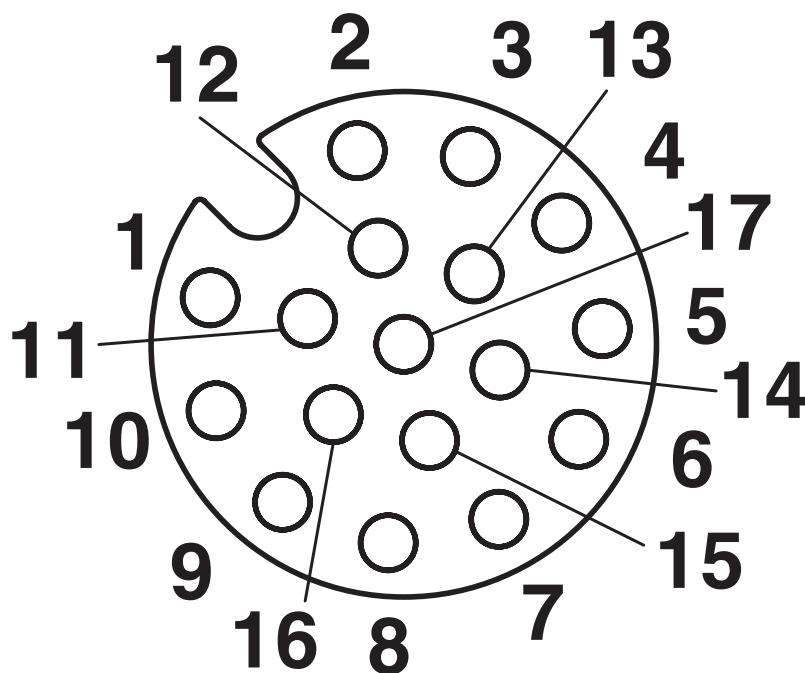
SACC-E-FS-17CON-M16/0,5 SCO - Device connector front mounting

1556294

<https://www.phoenixcontact.com/in/products/1556294>

Drawings

Schematic diagram



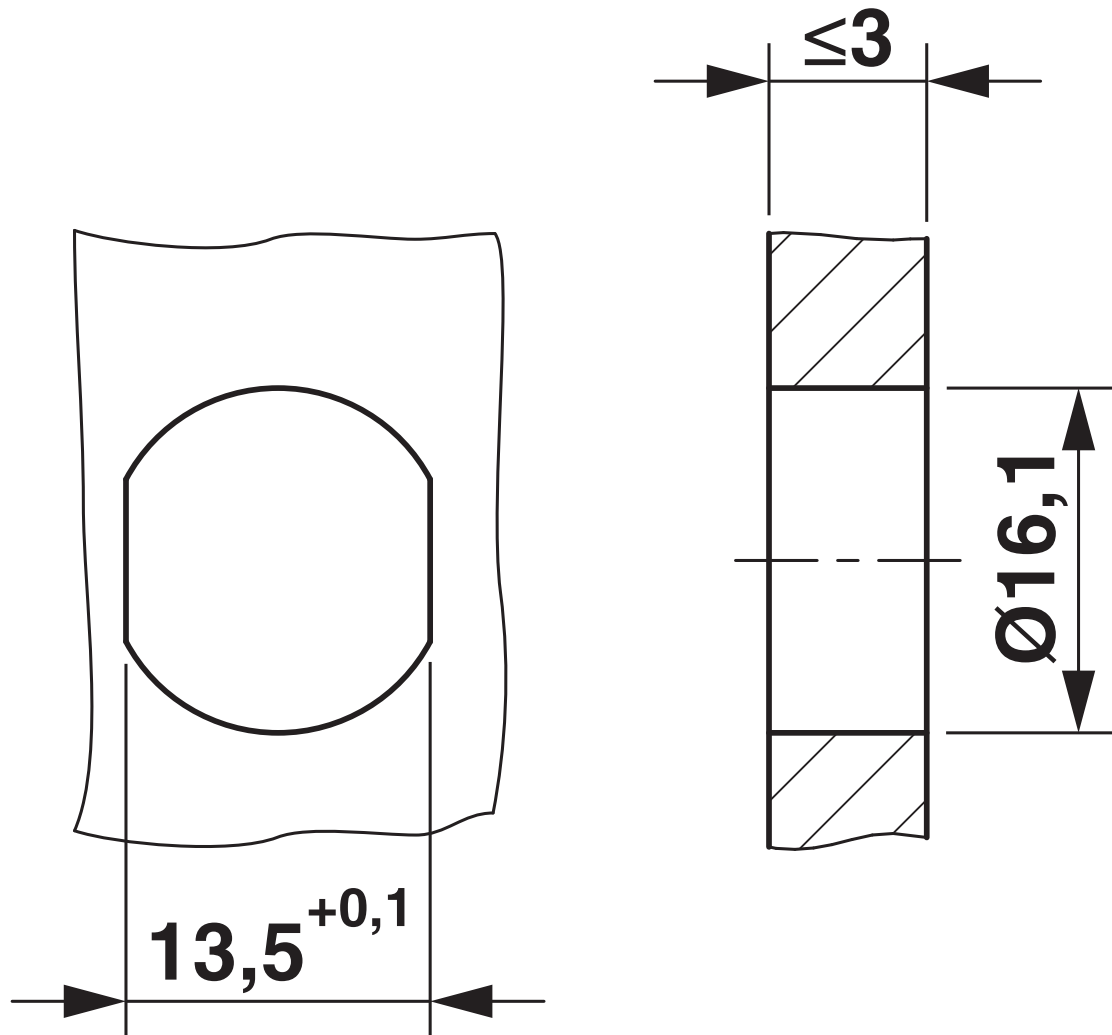
Pin assignment M12, 17-pos., socket side view

SACC-E-FS-17CON-M16/0,5 SCO - Device connector front mounting

1556294

<https://www.phoenixcontact.com/in/products/1556294>

Dimensional drawing



Housing cutout for M16 fastening thread, mounting panel with feed-through hole (alternatively with surface as protection against rotation)

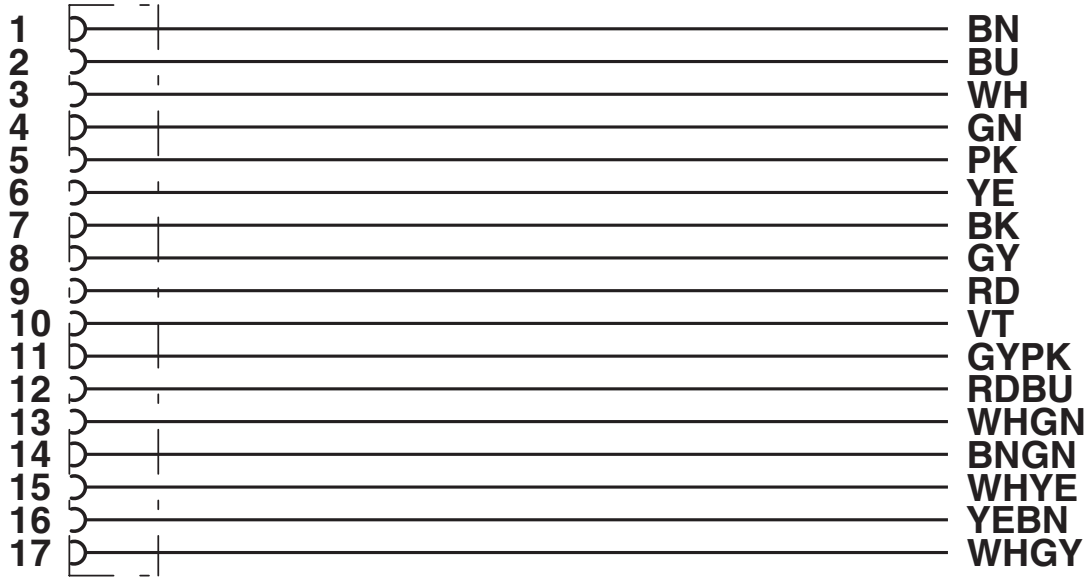
SACC-E-FS-17CON-M16/0,5 SCO - Device connector front mounting



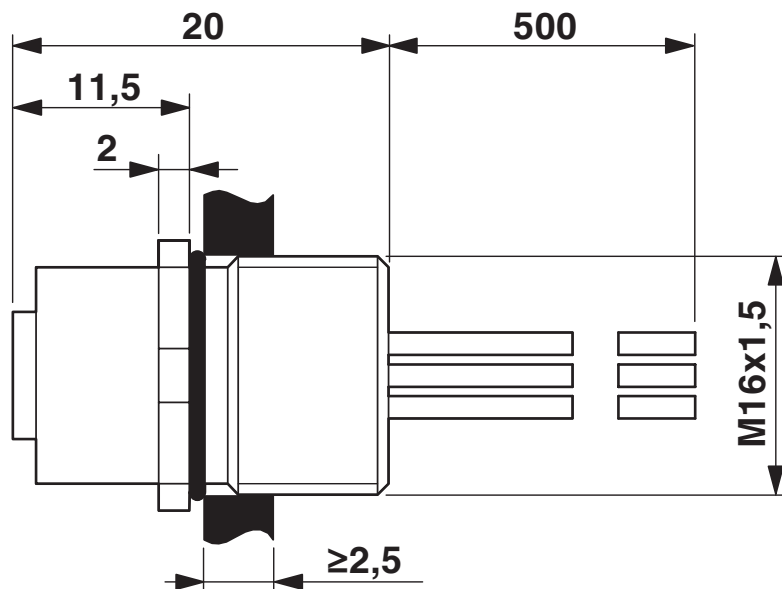
1556294

<https://www.phoenixcontact.com/in/products/1556294>

Circuit diagram



Dimensional drawing

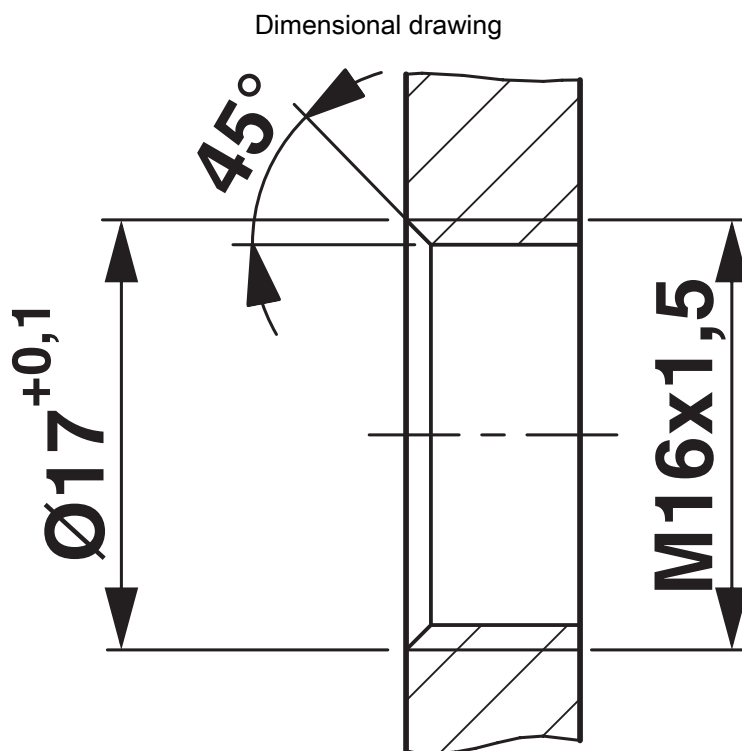


Dimensional drawing

SACC-E-FS-17CON-M16/0,5 SCO - Device connector front mounting

1556294

<https://www.phoenixcontact.com/in/products/1556294>



Housing cutout for M16 fastening thread, mounting panel with thread

SACC-E-FS-17CON-M16/0,5 SCO - Device connector front mounting



1556294

<https://www.phoenixcontact.com/in/products/1556294>

Approvals



EAC

Approval ID: B.01687



cULus Recognized

Approval ID: E221474-20140616

	Nominal Voltage U_N	Nominal Current I_N	Cross Section AWG	Cross Section mm^2
	30 V	1.5 A	- 26	-



UL Recognized

Approval ID: E118976-20100522

	Nominal Voltage U_N	Nominal Current I_N	Cross Section AWG	Cross Section mm^2
	30 V	1.5 A	- 26	-

SACC-E-FS-17CON-M16/0,5 SCO - Device connector front mounting



1556294

<https://www.phoenixcontact.com/in/products/1556294>

Classifications

ECLASS

ECLASS-11.0	27440102
ECLASS-12.0	27440116
ECLASS-13.0	27440116

ETIM

ETIM 8.0	EC002635
----------	----------

UNSPSC

UNSPSC 21.0	39121400
-------------	----------

SACC-E-FS-17CON-M16/0,5 SCO - Device connector front mounting



1556294

<https://www.phoenixcontact.com/in/products/1556294>

Environmental Product Compliance

REACH SVHC	Lead 7439-92-1
China RoHS	Environmentally Friendly Use Period = 50 years
	For information on hazardous substances, refer to the manufacturer's declaration available under "Downloads"

SACC-E-FS-17CON-M16/0,5 SCO - Device connector front mounting



1556294

<https://www.phoenixcontact.com/in/products/1556294>

Accessories

SACC-E-MU-M16 - Flat nut

1504097

<https://www.phoenixcontact.com/in/products/1504097>

Flat nut, Screw mounting, M16 x 1.5, Alternative product in accordance with RoHS II without Exemption 6c (Pb <0.1%) item no.: 1239863



SACC-M16-SEAL CLM - Flat gasket

1430394

<https://www.phoenixcontact.com/in/products/1430394>

M16 flat gasket for M12 flush-type connectors with M16 fastening thread



SACC-E-FS-17CON-M16/0,5 SCO - Device connector front mounting



1556294

<https://www.phoenixcontact.com/in/products/1556294>

PROT-M12 - Screw plug

1680539

<https://www.phoenixcontact.com/in/products/1680539>



An M12 screw plug for the unoccupied M12 sockets of the sensor/actuator cable, boxes and flush-type connectors

PROT-M12 SH - Screw plug

1503302

<https://www.phoenixcontact.com/in/products/1503302>



An M12 screw plug for the unoccupied M12 sockets of the shielded sensor/actuator cable, boxes and flush-type connectors

SACC-E-FS-17CON-M16/0,5 SCO - Device connector front mounting



1556294

<https://www.phoenixcontact.com/in/products/1556294>

PROT-M12 FB - Screw plug

1555538

<https://www.phoenixcontact.com/in/products/1555538>



M12 high-grade steel screw plug, for unoccupied M12 sockets of the sensor/actuator cables, boxes and flush-type connectors for the food industry

Phoenix Contact 2023 © - all rights reserved
<https://www.phoenixcontact.com>

PHOENIX CONTACT (I) Pvt. Ltd.
A-58/2, Okhla Industrial Area, Phase - II, New Delhi-110 020

+91.1275.71420
info@phoenixcontact.co.in