

MINI MCR-SL-PT100-LP-NC - Temperature measuring transducer



2810308

<https://www.phoenixcontact.com/us/products/2810308>

Please be informed that the data shown in this PDF document is generated from our online catalog. Please find the complete data in the user documentation. Our general terms of use for downloads are valid.



Configurable loop-powered temperature transducer for Pt 100 temperature sensors, configured via DIP switches, with screw connection, not preconfigured

Your advantages

- 2-, 3-, 4-conductor Pt 100 sensors
- Highly-compact loop-powered temperature transducer for electrical isolation, conversion, amplification, and filtering of Pt 100 signals to create standard signals
- Does not require additional auxiliary voltage
- Error indication via diagnostic LED and analog signal
- 2-way isolation
- Input signals can be configured via DIP switches
- Supplied by an output loop
- Temperature measuring range of -150°C to +300°C

Commercial data

Item number	2810308
Packing unit	1 pc
Minimum order quantity	1 pc
Sales key	C403
Product key	CK1222
Catalog page	Page 106 (C-7-2015)
GTIN	4046356134668
Weight per piece (including packing)	94.7 g
Weight per piece (excluding packing)	68.4 g
Customs tariff number	85437090
Country of origin	DE

MINI MCR-SL-PT100-LP-NC - Temperature measuring transducer



2810308

<https://www.phoenixcontact.com/us/products/2810308>

Technical data

Notes

Utilization restriction

EMC note	EMC: class A product, see manufacturer's declaration in the download area
----------	---

Product properties

Product type	Temperature transmitter
Product family	MINI Analog
Configuration	DIP switches

Insulation characteristics

Overvoltage category	II
Pollution degree	2

Electrical properties

Linearity error	< 0.05 % (for full measuring range)
Maximum power dissipation for nominal condition	< 42 mW
Step response (0–99%)	< 200 ms
Maximum temperature coefficient	< 0.02 %/K
Transmission error in the set measuring range	$((90 \text{ K} / \text{set measuring range [K]}) + 0.05)\%$
Transmission error in the full measuring range	$\leq 0.25 \%$

Electrical isolation Input/output/power supply

Rated insulation voltage	30 V AC
	50 V DC
Test voltage	1.5 kV AC (50 Hz, 60 s)
Insulation	Basic insulation in accordance with IEC/EN 61010

Supply

Designation	Loop-powered
Supply voltage range	12 V DC ... 30 V DC
Max. current consumption	< 4.5 mA (without signal current)
Power consumption	< 150 mW (without signal current)

Input data

Signal

Number of inputs	1
------------------	---

Measurement

Configurable/programmable	Yes, unconfigured
Sensor types (RTD) that can be used	Pt 100 (IEC 60751/EN 60751)

MINI MCR-SL-PT100-LP-NC - Temperature measuring transducer



2810308

<https://www.phoenixcontact.com/us/products/2810308>

Temperature measuring range	min. 50 K
Sensor type:	-150 °C ... 300 °C (configurable)
Sensor input current	1 mA (constant)
Max. permissible overall conductor resistance	10 Ω (Per cable)
Connection technology	2-, 3-, 4-conductor
Error detection limit (short-circuit)	< 30 Ω
Error detection limit (underrange)	$30 \Omega \leq (\text{start span} - 2.5\% \text{ span})$
Error detection limit (overrange)	$(\text{end span} + 2.5\% \text{ span}) \leq \text{approx. } 254 \Omega$
Error detection limit (wire break)	> approx. 254 Ω

Output data

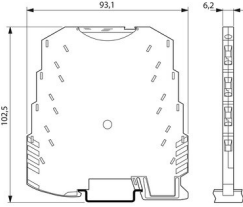
Signal: Current

Number of outputs	1
Configurable/programmable	Yes, unconfigured
Current output signal	4 mA ... 20 mA 20 mA ... 4 mA
Max. current output signal	23 mA (output limit)
Load/output load current output	$(U_{\text{supply}} - 12 \text{ V}) / 22 \text{ mA}$
Ripple	< 20 mV _{PP} (at 500 Ω)

Connection data

Connection method	Screw connection
Stripping length	12 mm
Screw thread	M3
Conductor cross section rigid	0.2 mm ² ... 2.5 mm ²
Conductor cross section flexible	0.2 mm ² ... 2.5 mm ²
Conductor cross section AWG	26 ... 12

Dimensions

Dimensional drawing	
Width	6.2 mm
Height	93.1 mm
Depth	101.2 mm

Material specifications

Fire protection for rail vehicles (DIN EN 45545-2) R22	HL 1 - HL 2
Fire protection for rail vehicles (DIN EN 45545-2) R23	HL 1 - HL 2

MINI MCR-SL-PT100-LP-NC - Temperature measuring transducer



2810308

<https://www.phoenixcontact.com/us/products/2810308>

Fire protection for rail vehicles (DIN EN 45545-2) R24	HL 1 - HL 2
Housing material	PBT

Environmental and real-life conditions

Ambient conditions

Degree of protection	IP20
Ambient temperature (operation)	-20 °C ... 65 °C
Ambient temperature (storage/transport)	-40 °C ... 85 °C
Altitude	≤ 2000 m
Permissible humidity (operation)	5 % ... 95 % (non-condensing)

Approvals

CE

Certificate	CE-compliant
-------------	--------------

UKCA

Certificate	UKCA-compliant
-------------	----------------

UL, USA/Canada

Identification	UL 508 Recognized
	Class I, Div. 2, Groups A, B, C, D T4

EMC data

Noise immunity	EN 61000-6-2
Note	When being exposed to interference, there may be minimal deviations.
Electromagnetic compatibility	Conformance with EMC directive
Noise emission	EN 61000-6-4

Electrostatic discharge

Standards/regulations	EN 61000-4-2
-----------------------	--------------

Electrostatic discharge

Comments	Safety measures must be taken to prevent electrostatic discharge.
----------	---

Electromagnetic HF field

Designation	Electromagnetic RF field
Standards/regulations	EN 61000-4-3
Typical deviation from the measuring range final value	5 %

Fast transients (burst)

Designation	Fast transients (burst)
Standards/regulations	EN 61000-4-4
Typical deviation from the measuring range final value	5 %

MINI MCR-SL-PT100-LP-NC - Temperature measuring transducer



2810308

<https://www.phoenixcontact.com/us/products/2810308>

Surge current load (surge)

Standards/regulations	EN 61000-4-5
-----------------------	--------------

Surge current load (surge)

Comments	Criterion B
----------	-------------

Conducted interference

Designation	Conducted interferences
Standards/regulations	EN 61000-4-6
Typical deviation from the measuring range final value	5 %

Mounting

Mounting type	DIN rail mounting
Mounting position	any

MINI MCR-SL-PT100-LP-NC - Temperature measuring transducer

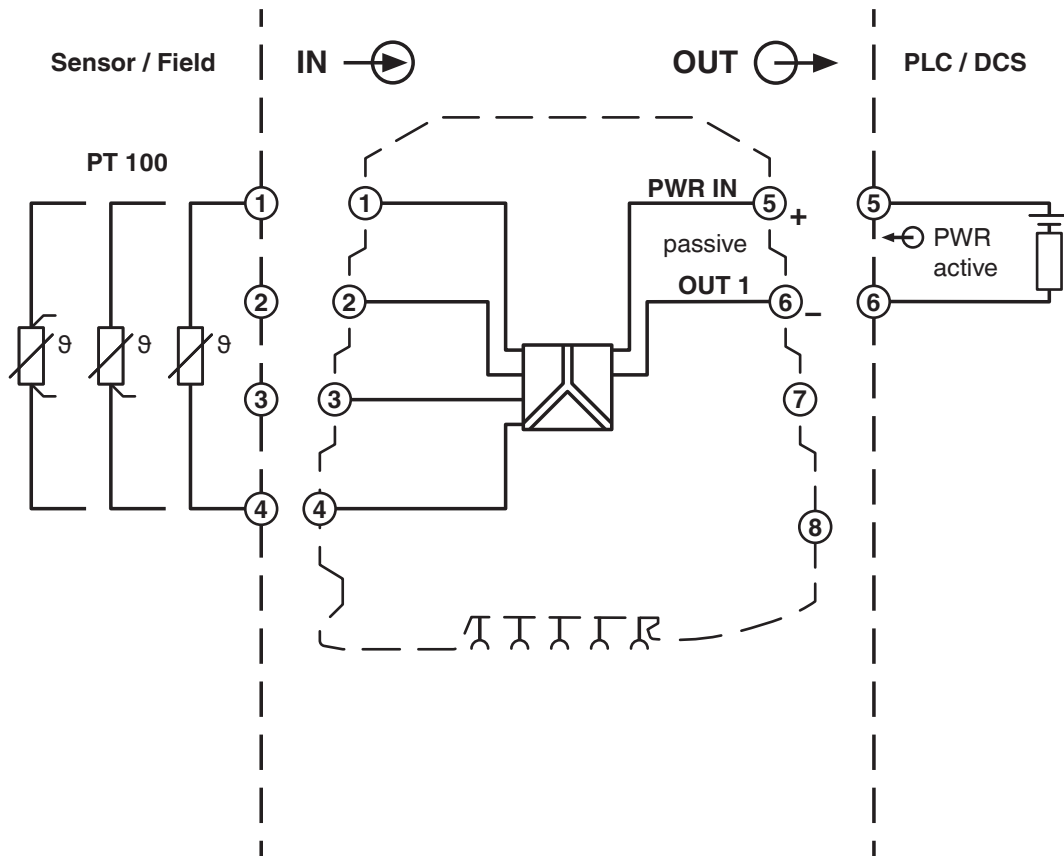


2810308

<https://www.phoenixcontact.com/us/products/2810308>

Drawings

Block diagram

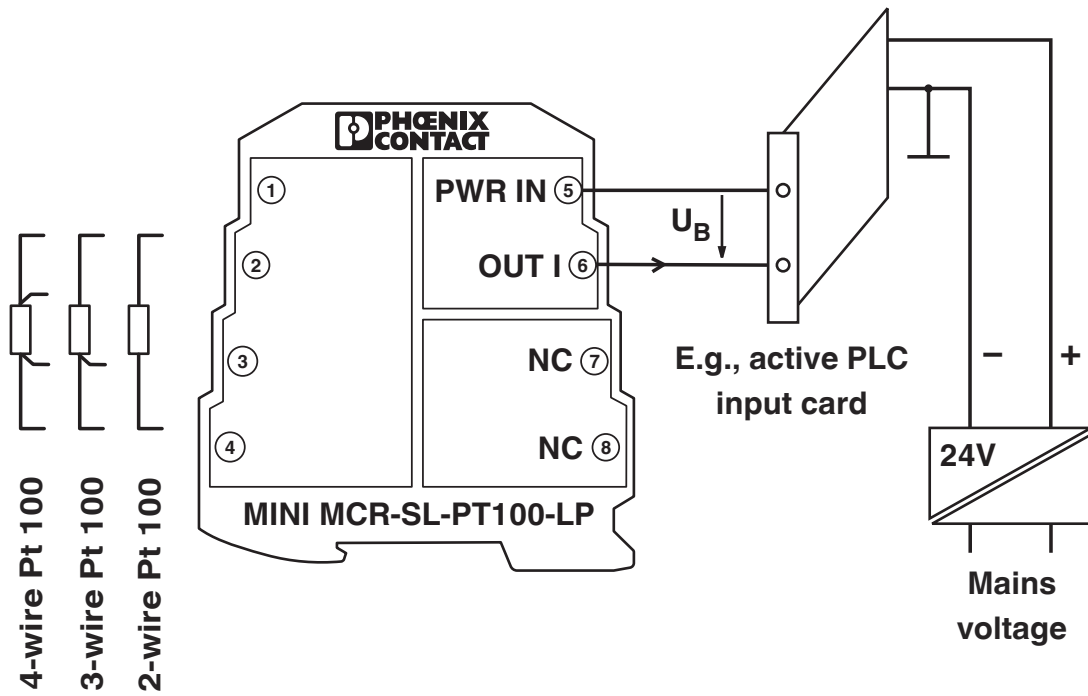


MINI MCR-SL-PT100-LP-NC - Temperature measuring transducer

2810308

<https://www.phoenixcontact.com/us/products/2810308>

Application drawing



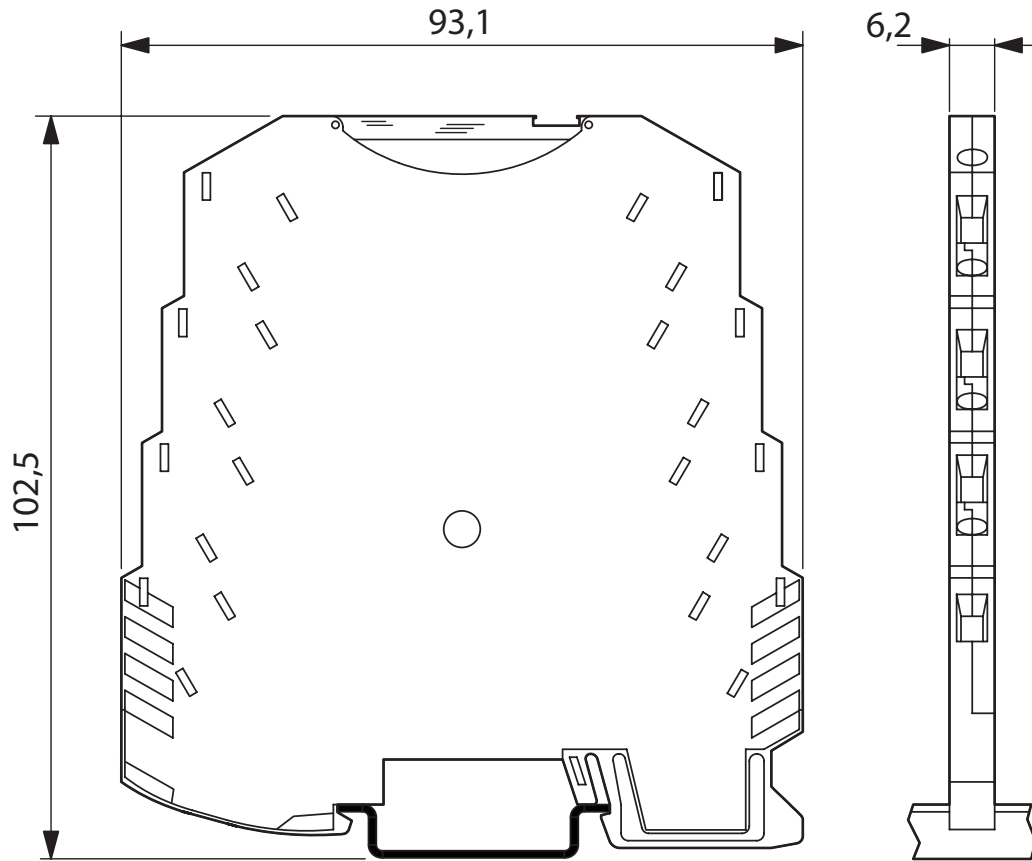
MINI MCR-SL-PT100-LP-NC - Temperature measuring transducer



2810308

<https://www.phoenixcontact.com/us/products/2810308>

Dimensional drawing



MINI MCR-SL-PT100-LP-NC - Temperature measuring transducer



2810308

<https://www.phoenixcontact.com/us/products/2810308>

Approvals

To download certificates, visit the product detail page: <https://www.phoenixcontact.com/us/products/2810308>



cUL Recognized
Approval ID: FILE E 238705



UL Recognized
Approval ID: FILE E 238705



cUL Listed
Approval ID: FILE E 199827



UL Listed
Approval ID: FILE E 199827

cULus Recognized

cULus Listed

MINI MCR-SL-PT100-LP-NC - Temperature measuring transducer



2810308

<https://www.phoenixcontact.com/us/products/2810308>

Classifications

ECLASS

ECLASS-11.0	27210129
ECLASS-12.0	27210129
ECLASS-13.0	27210129

ETIM

ETIM 8.0	EC002919
----------	----------

UNSPSC

UNSPSC 21.0	41112100
-------------	----------

MINI MCR-SL-PT100-LP-NC - Temperature measuring transducer



2810308

<https://www.phoenixcontact.com/us/products/2810308>

Environmental product compliance

REACH SVHC	Lead 7439-92-1
China RoHS	Environmentally Friendly Use Period = 50 years
	For information on hazardous substances, refer to the manufacturer's declaration available under "Downloads"

MINI MCR-SL-PT100-LP-NC - Temperature measuring transducer



2810308

<https://www.phoenixcontact.com/us/products/2810308>

Accessories

TC-D37SUB-AIO16-M-PS-UNI - Module carrier

2902934

<https://www.phoenixcontact.com/us/products/2902934>



Universal termination carrier for connecting 16 MINI Analog signal conditioners to digital or analog I/O cards, via D-SUB connector, 37-pos. (1:1 connection), with HART multiplexer connection

TC-D37SUB-ADIO16-M-P-UNI - Module carrier

2902933

<https://www.phoenixcontact.com/us/products/2902933>



Universal termination carrier for connecting 16 MINI Analog signal conditioners to digital or analog I/O cards, via D-SUB connector, 37-pos. (1:1 connection)

MINI MCR-SL-PT100-LP-NC - Temperature measuring transducer



2810308

<https://www.phoenixcontact.com/us/products/2810308>

MINI MCR DKL - Transparent cover

2308111

<https://www.phoenixcontact.com/us/products/2308111>



Fold up transparent cover for MINI MCR modules with additional labeling option using insert strips and flat Zack marker strip 6.2 mm

MINI MCR-DKL-LABEL - Marking label

2810272

<https://www.phoenixcontact.com/us/products/2810272>



Label for extended marking of MINI MCR modules in connection with the MINI MCR-DKL

MINI MCR-SL-PT100-LP-NC - Temperature measuring transducer



2810308

<https://www.phoenixcontact.com/us/products/2810308>

SZS 0,6X3,5 - Screwdriver

1205053

<https://www.phoenixcontact.com/us/products/1205053>



Actuation tool, for ST terminal blocks, insulated, also suitable for use as a bladed screwdriver, size: 0.6 x 3.5 x 100 mm, 2-component grip, with non-slip grip

Phoenix Contact 2023 © - all rights reserved
<https://www.phoenixcontact.com>

Phoenix Contact USA
586 Fulling Mill Road
Middletown, PA 17057, United States
(+717) 944-1300
info@phoenixcon.com