

# VC-K-T4-Z - Sleeve housing

1852969

<https://www.phoenixcontact.com/us/products/1852969>

Please be informed that the data shown in this PDF document is generated from our online catalog. Please find the complete data in the user documentation. Our general terms of use for downloads are valid.



Sleeve housing, Range of articles: VARIOCON, design: VC4, housing material: Polyamide, color: gray. When using fiber optics, the bending radii of the cable manufacturers must be observed.

## Commercial data

Item number	1852969
Packing unit	1 pc
Minimum order quantity	5 pc
Note	Made to order (non-returnable)
Sales key	AB01
Product key	ABLAAA
Catalog page	Page 35 (C-2-2013)
GTIN	4017918133900
Weight per piece (including packing)	71.32 g
Weight per piece (excluding packing)	70.96 g
Customs tariff number	85389099
Country of origin	PL

## Technical data

### Notes

General	When using fiber optics, the bending radii of the cable manufacturers must be observed.
Safety note	
Safety note	<p>WARNING: The connectors may not be plugged in or disconnected under load. Ignoring the warning or improper use may damage persons and/or property.</p> <ul style="list-style-type: none"> <li>• WARNING: Commission properly functioning products only. The products must be regularly inspected for damage. Decommission defective products immediately. Replace damaged products. Repairs are not possible.</li> <li>• WARNING: Only electrically qualified personnel may install and operate the product. They must observe the following safety notes. The qualified personnel must be familiar with the basics of electrical engineering. They must be able to recognize and prevent danger. The relevant symbol on the packaging indicates that only personnel familiar with electrical engineering are allowed to install and operate the product.</li> <li>• The products are suitable for applications in plant, controller, and electrical device engineering.</li> <li>• When operating the connectors in outdoor applications, they must be separately protected against environmental influences.</li> <li>• Assembled products may not be manipulated or improperly opened.</li> <li>• Only use mating connectors that are specified in the technical data of the standards listed (e.g. the ones listed in the product accessories online at <a href="https://www.phoenixcontact.com/products">phoenixcontact.com/products</a>).</li> <li>• When using the product in direct connection with third-party manufacturers, the user is responsible.</li> <li>• For operating voltages &gt; 50 V AC, conductive connector housings must be grounded</li> <li>• Ensure that the protective or functional ground has been properly connected.</li> <li>• VDE 0100/1.97 § 411.1.3.2 and DIN EN 60 204/11.98 § 14.1.3 are applicable when combining several circuits in a cable and/or connector</li> <li>• Observe the corresponding technical data. You will find information:             <ul style="list-style-type: none"> <li>o On the product</li> <li>o On the packing label</li> <li>o In the supplied documentation</li> <li>o Online at <a href="https://www.phoenixcontact.com/products">phoenixcontact.com/products</a> under the product</li> </ul> </li> <li>• Only use tools recommended by Phoenix Contact</li> <li>• The installation notes/Design In documents online on the download page at <a href="https://www.phoenixcontact.com/products">phoenixcontact.com/products</a> must be observed for this product.</li> <li>• Use a protective cap to protect connectors that are not in use. The suitable accessories are available online in the accessory section of the product at <a href="https://www.phoenixcontact.com/products">phoenixcontact.com/products</a></li> <li>• Operate the connector only when it is fully plugged in.</li> </ul>

# VC-K-T4-Z - Sleeve housing

1852969

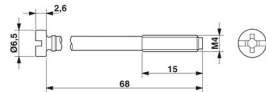
<https://www.phoenixcontact.com/us/products/1852969>

- Ensure that when laying the cable, the tensile load on the connectors does not exceed the upper limit specified in the standards.
- Observe the minimum bending radius of the cable. Lay the cable without twisting it.
- The connector warms up in normal operation. Depending on the ambient conditions, the surface of the connector can continue to warm up. In this case, the user is responsible for posting warnings (e.g. DIN EN ISO 13732-1:2008-12).

## Product properties

Type	VC4
Product type	Sleeve housings
Product family	VARIOCON
No. of cable outlets	1
Type of the screw connection	Pg21
Fixing screws	M4
Shielded	no
Cable outlet	angled

## Dimensions

Dimensional drawing	
Width	38 mm
Height	78 mm
Length	113 mm
Thread type on seal side	Pg21

## Material specifications

Color	gray
Color of the housing part	gray
Material	Polyamide
Flammability rating according to UL 94	V0
Seal material	EPDM NBR
O-ring material	NBR
Material of locking screw	Stainless steel
Housing material	Polyamide

## Mechanical properties

### Mechanical data

Type of the screw connection	Pg21
Locking type	Screw

# VC-K-T4-Z - Sleeve housing

1852969

<https://www.phoenixcontact.com/us/products/1852969>



## Environmental and real-life conditions

### Ambient conditions

Degree of protection	IP66 (DIN IEC 60529)
	IP66
Ambient temperature (operation)	-40 °C ... 80 °C

## Mounting

Fixing screws	M4
---------------	----

# VC-K-T4-Z - Sleeve housing

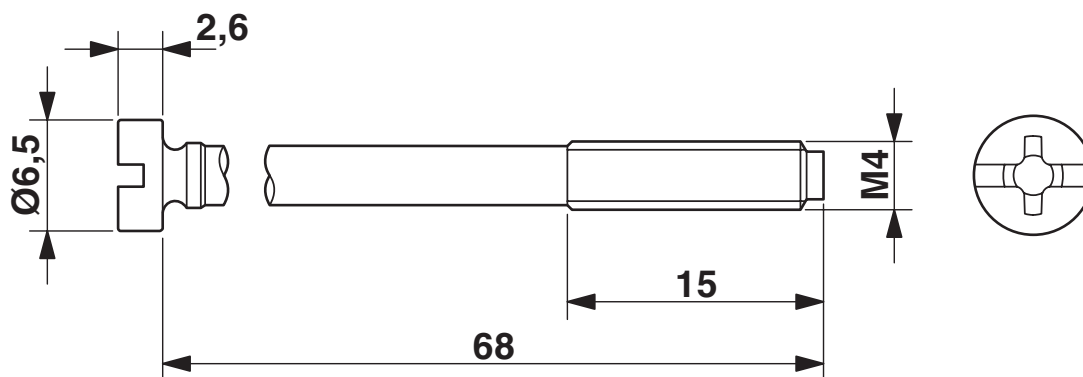
1852969

<https://www.phoenixcontact.com/us/products/1852969>

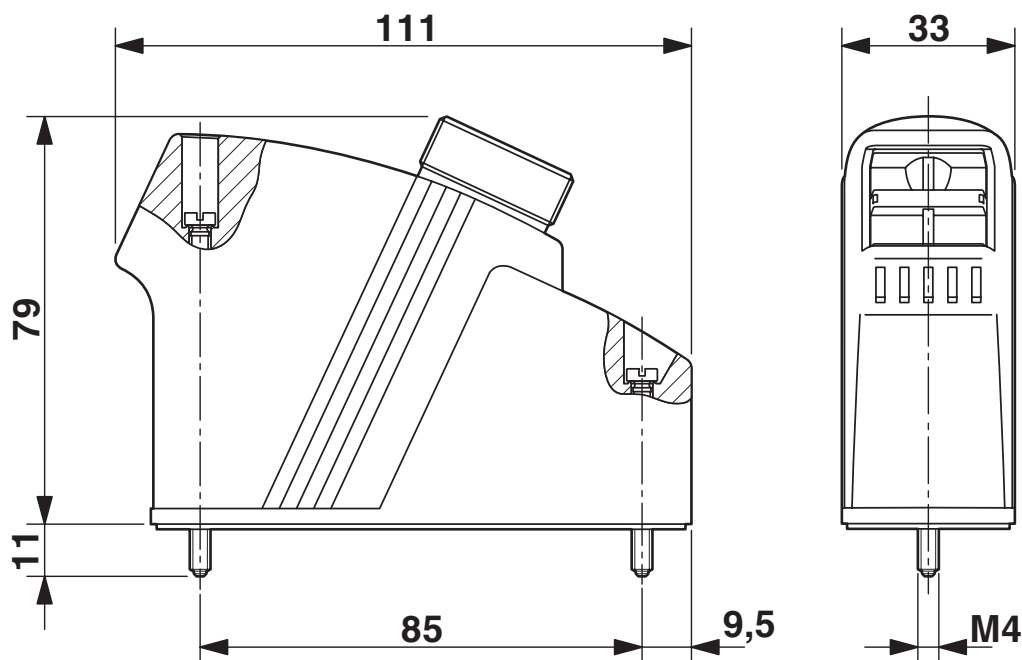


## Drawings

Dimensional drawing



Dimensional drawing



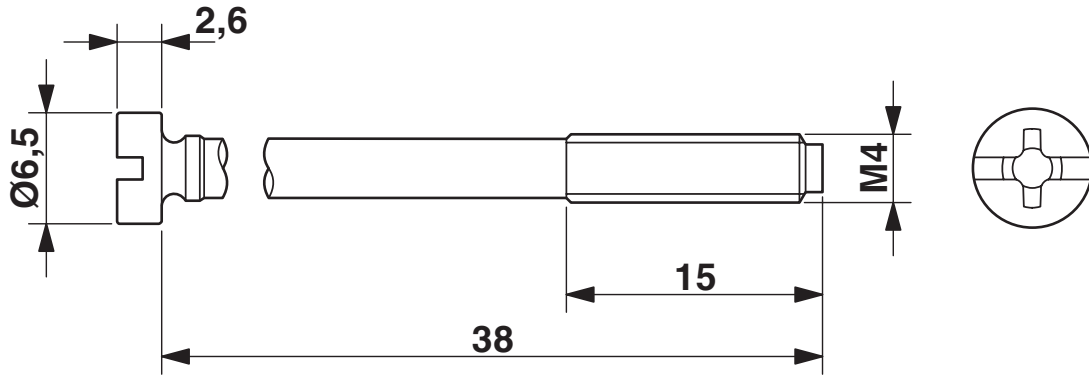
# VC-K-T4-Z - Sleeve housing

1852969

<https://www.phoenixcontact.com/us/products/1852969>



Dimensional drawing



# VC-K-T4-Z - Sleeve housing

1852969

<https://www.phoenixcontact.com/us/products/1852969>



## Approvals

To download certificates, visit the product detail page: <https://www.phoenixcontact.com/us/products/1852969>



**EAC**

Approval ID: B.01687

# VC-K-T4-Z - Sleeve housing

1852969

<https://www.phoenixcontact.com/us/products/1852969>



## Classifications

### ECLASS

ECLASS-11.0	27440202
ECLASS-12.0	27440202
ECLASS-13.0	27440202

### ETIM

ETIM 8.0	EC000437
----------	----------

### UNSPSC

UNSPSC 21.0	31261500
-------------	----------



# VC-K-T4-Z - Sleeve housing

1852969

<https://www.phoenixcontact.com/us/products/1852969>



## Environmental product compliance

China RoHS	Environmentally friendly use period: unlimited = EFUP-e
	No hazardous substances above threshold values

# VC-K-T4-Z - Sleeve housing

1852969

<https://www.phoenixcontact.com/us/products/1852969>

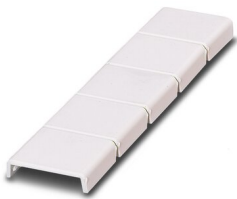


## Accessories

### VC-BZS WH - Marking label

1852875

<https://www.phoenixcontact.com/us/products/1852875>



Marker labels, unprinted, 5-section, for individual labeling with M-PEN or CMS system, white

---

### VC-K-KV-PG21( 7-10,5) - Cable gland

1853890

<https://www.phoenixcontact.com/us/products/1853890>



Half screw connection Pg21, made of plastic, consisting of rubber seal with one hole and one pressure screw, for type 2 - 4 housings, cable [mm] 7.5 - 10.5

## VC-K-T4-Z - Sleeve housing

1852969

<https://www.phoenixcontact.com/us/products/1852969>

## VC-K-KV-PG21( 9-13) - Cable gland

1853900

<https://www.phoenixcontact.com/us/products/1853900>



Half screw connection Pg21, made of plastic, consisting of rubber seal with one hole and one pressure screw, for type 2 - 4 housings, cable [mm] 9 - 13

---

## VC-K-KV-PG21(11,5-15,5) - Cable gland

1853913

<https://www.phoenixcontact.com/us/products/1853913>



Half screw connection Pg21, made of plastic, consisting of rubber seal with one hole and one pressure screw, for type 2 - 4 housings, cable [mm] 11.5 - 15.5

## VC-K-T4-Z - Sleeve housing

1852969

<https://www.phoenixcontact.com/us/products/1852969>

## VC-K-KV-PG21(14-18) - Cable gland

1853926

<https://www.phoenixcontact.com/us/products/1853926>



Half screw connection Pg21, made of plastic, consisting of rubber seal with one hole and one pressure screw, for type 2 - 4 housings, cable [mm] 14 - 18

---

## VC-K-KV-PG21(17-20,5) - Cable gland

1853939

<https://www.phoenixcontact.com/us/products/1853939>



Half screw connection Pg21, made of plastic, consisting of rubber seal with one hole and one pressure screw, for type 2 - 4 housings, cable [mm] 17 - 20.5

# VC-K-T4-Z - Sleeve housing

1852969

<https://www.phoenixcontact.com/us/products/1852969>



## VC-K-KV-PG21 1X6/2X9 - Cable gland

1885538

<https://www.phoenixcontact.com/us/products/1885538>



Half screw connection Pg21, made of plastic, consisting of rubber seal with several holes (1 x 6 mm/2 x 9 mm) and a pressure screw, for cable screw connection support VC-M-KV-PG21.....

---

## VC-K-KV-PG21-1X8,5/1X12 - Cable gland

1885279

<https://www.phoenixcontact.com/us/products/1885279>



Half screw connection Pg21, made of plastic, consisting of rubber seal with several holes (1 x 8.5 mm/1 x 12 mm) and a pressure screw, for cable screw connection thread VC-M-KV-PG21.....

# VC-K-T4-Z - Sleeve housing

1852969

<https://www.phoenixcontact.com/us/products/1852969>



## VC-K-KV-PG21-2X4,5/1X13 - Cable gland

1885282

<https://www.phoenixcontact.com/us/products/1885282>



Half screw connection Pg21, made of plastic, consisting of rubber seal with several holes (2 x 4.5 mm/1 x 13 mm) and a pressure screw, for cable screw connection thread VC-M-KV-PG21.....

---

## VC-K-KV-PG21 2X6/2X8 - Cable gland

1885554

<https://www.phoenixcontact.com/us/products/1885554>



Half screw connection Pg21, made of plastic, consisting of rubber seal with several holes (2 x 6 mm/2 x 8 mm) and a pressure screw, for cable screw connection support VC-M-KV-PG21.....

## VC-K-T4-Z - Sleeve housing

1852969

<https://www.phoenixcontact.com/us/products/1852969>



## VC-K-KV-PG21 2X7,2/1X10,5 - Cable gland

1885567

<https://www.phoenixcontact.com/us/products/1885567>



Half screw connection Pg21, made of plastic, consisting of rubber seal with several holes (2 x 7.2 mm/ 1 x 10.5 mm) and a pressure screw, for cable screw connection thread VC-M-KV-PG21.....

---

## VC-K-KV-PG21 3X7 - Cable gland

1885570

<https://www.phoenixcontact.com/us/products/1885570>



Half screw connection Pg21, made of plastic, consisting of rubber seal with several holes (3 x 7 mm) and one pressure screw, for cable screw connection support VC-M-KV-PG21.....

## VC-K-T4-Z - Sleeve housing

1852969

<https://www.phoenixcontact.com/us/products/1852969>

## VC-K-KV-PG21 3X9 - Cable gland

1885583

<https://www.phoenixcontact.com/us/products/1885583>



Half screw connection Pg21, made of plastic, consisting of rubber seal with several holes (3 x 9 mm) and one pressure screw, for cable screw connection support VC-M-KV-PG21.....

---

## VC-K-KV-PG21 4X6,5 - Cable gland

1885596

<https://www.phoenixcontact.com/us/products/1885596>



Half screw connection Pg21, made of plastic, consisting of rubber seal with several holes (4 x 6.5 mm) and one pressure screw, for cable screw connection support VC-M-KV-PG21.....



## VC-K-T4-Z - Sleeve housing

1852969

<https://www.phoenixcontact.com/us/products/1852969>



## VC-K-KV-PG21 4X8 - Cable gland

1885606

<https://www.phoenixcontact.com/us/products/1885606>



Half screw connection Pg21, made of plastic, consisting of rubber seal with several holes (4 x 8 mm) and one pressure screw, for type 2 - 4 housings

---

## VC-M-KV-PG21/M32 ST - Cable gland

1644397

<https://www.phoenixcontact.com/us/products/1644397>



Cable gland for Pg21 half screw connection to M32 housing entry, metal

## VC-K-T4-Z - Sleeve housing

1852969

<https://www.phoenixcontact.com/us/products/1852969>



## VC-SCHR.ZYL-B-M4X38X15-Z2L-V4A - Connector component

1628354

<https://www.phoenixcontact.com/us/products/1628354>



M4x38x15 mm cylinder screw as replacement for VC sleeve housing

---

## VC-SCHR.ZYL-B-M4X68X15-Z2L-V4A - Connector component

1628355

<https://www.phoenixcontact.com/us/products/1628355>



M4x68x15 mm cylinder screw as replacement for VC sleeve housing

## VC-K-T4-Z - Sleeve housing

1852969

<https://www.phoenixcontact.com/us/products/1852969>



## VC-O-RING 3X1,5 NBR-NT70:100 - Connector component

1628356

<https://www.phoenixcontact.com/us/products/1628356>

O-ring as replacement for VC sleeve housing



---

## VC-SD4 - Protective cover

1853706

<https://www.phoenixcontact.com/us/products/1853706>



Protective cover, Range of articles: VARIOCON, design: VC4, housing material: PA 6, color: gray

# VC-K-T4-Z - Sleeve housing

1852969

<https://www.phoenixcontact.com/us/products/1852969>



## VC-SD-T4 - Protective cover

1886757

<https://www.phoenixcontact.com/us/products/1886757>



Protective cover, design: VC4, housing material: PA 6, color: gray

---

Phoenix Contact 2023 © - all rights reserved

<https://www.phoenixcontact.com>

Phoenix Contact USA  
586 Fulling Mill Road  
Middletown, PA 17057, United States  
(+717) 944-1300  
[info@phoenixcon.com](mailto:info@phoenixcon.com)