

# Product datasheet

Specifications



## round pilot light Ø 22 - green - integral LED - 110 V DC - screw clamp terminals

XA2EVFD3LC

! Discontinued on: 16 June 2021

! To be end-of-service on: 16 August 2023

! Discontinued

### Main

|                              |                        |
|------------------------------|------------------------|
| Range of product             | Harmony Easy XA2       |
| Product or component type    | Monolithic pilot light |
| Device short name            | XA2                    |
| Mounting diameter            | 22 mm                  |
| Shape of signaling unit head | Round                  |
| Cap/Operator or lens colour  | Green                  |
| Light source                 | LED                    |
| Bulb base                    | Integral LED           |
| [Us] rated supply voltage    | 110 V DC 50/60 Hz      |

### Complementary

|  |  |
|--|--|
| Terminals description ISO n°1          | (X1-X2)PL  |
| Device mounting                        | Fixing hole 22.3 +0.4/0 conforming to EN/IEC 60947-5-1   |
| Fixing center                          | >= 30 x 40 mm (support panel) metal - thickness: 1...6 mm<br>>= 30 x 40 mm (support panel) plastic - thickness: 2...6 mm   |
| Fixing mode                            | Fixing nut beneath head recommended torque: 2.2 N.m (+/- 0.2 N.m)  |
| Marking                                | CE<br>CCC  |
| Connections - terminals                | Screw clamp terminals, <= 2 x 1.5 mm <sup>2</sup> with cable end conforming to EN/IEC 60947-1<br>Screw clamp terminals, 1 x 0.5...1 x 2.5 mm <sup>2</sup> without cable end conforming to EN/IEC 60947-1 |
| [Ui] rated insulation voltage          | 250 V (pollution degree 3) conforming to EN/IEC 60947-1  |
| [Uimp] rated impulse withstand voltage | 6 kV conforming to EN/IEC 60947-1  |
| Signalling type                        | Steady   |
| Supply voltage limits                  | 0.8...1.2 V DC   |
| Current consumption                    | <= 20 mA   |
| Service life                           | 40000 h at rated voltage and 25 °C   |
| Height                                 | 29 mm  |
| Width                                  | 29 mm  |
| Depth                                  | 53 mm  |

|            |         |
|------------|---------|
| Net weight | 0.02 kg |
|------------|---------|

## Environment

|                                       |   |
|---------------------------------------|---|
| Ambient air temperature for storage   | -40...70 °C   |
| Ambient air temperature for operation | -25...70 °C   |
| Overvoltage category                  | Class I conforming to IEC 536   |
| Standards                             | GB 14048.1<br>IEC 60947-1<br>IEC 60947-5-1<br>GB 14048.5                              |
| Product certifications                | CCC<br>CE   |
| Vibration resistance                  | 5 gn (f= 12...500 Hz) conforming to IEC 60068-2-6                                     |
| Shock resistance                      | 30 gn (duration = 11 ms) for half sine wave acceleration conforming to IEC 60068-2-27 |

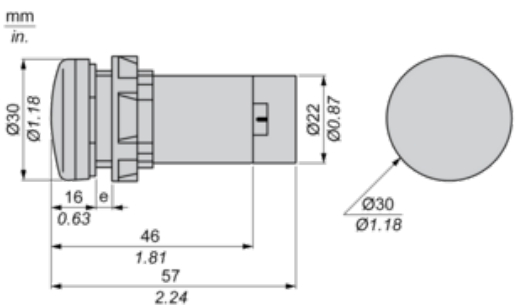
## Packing Units

|                              |        |
|------------------------------|--------|
| Unit Type of Package 1       | PCE    |
| Number of Units in Package 1 | 1      |
| Package 1 Height             | 2.9 cm |
| Package 1 Width              | 2.9 cm |
| Package 1 Length             | 5.3 cm |
| Package 1 Weight             | 21.6 g |

## Offer Sustainability

|                            |   |
|----------------------------|---|
| Sustainable offer status   | Green Premium product   |
| REACH Regulation           | <a href="#">REACH Declaration</a>   |
| REACH free of SVHC         | Yes   |
| EU RoHS Directive          | Pro-active compliance (Product out of EU RoHS legal scope)<br><a href="#">EU RoHS Declaration</a>                           |
| Toxic heavy metal free     | Yes   |
| Mercury free               | Yes   |
| China RoHS Regulation      | <a href="#">China RoHS declaration</a>  |
| RoHS exemption information | Yes   |
| Environmental Disclosure   | <a href="#">Product Environmental Profile</a>   |
| Circularity Profile        | <a href="#">End of Life Information</a>   |
| WEEE                       | The product must be disposed on European Union markets following specific waste collection and never end up in rubbish bins |

Dimensions

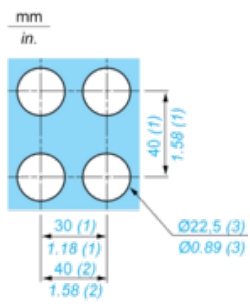


e Support panel thickness: 1 to 6 mm/0.4 to 0.24 in. (metal), 2 to 6 mm/0.8 to 0.24 in. (plastic).

**Mounting**

---

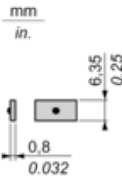
**Diameter of Finished Fixing Holes**



- (1) Minimum value.
- (2) 40 mm/1.58 in. for Emergency switching off pushbutton only.
- (3) Standard value:  $\text{Ø} 22.3$  (0; + 0.4) mm/ $\text{Ø} 0.88$  (0; + 0.02) in.

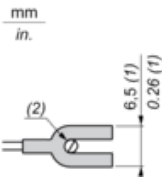
**Faston Clip Connection**

---



**“U” Type Tag Connection**

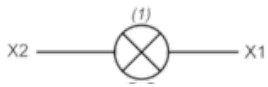
---



- (1) 6.5 mm/0.26 in. recommended, 7 mm/0.28 in. max.
- (2) M3 screw clamp terminal.

**Wiring Diagram**

---



(1) LED

**Recommended replacement(s)**

XA2EVFD3LC is replaced by:

---

1x



round pilot light Ø 22 - green - integral LED - 110 V AC - screw clamp terminals  
XA2EVF3LC

---