

Product data sheet

Specifications



power supply module X80 - 100..240 V AC - 36 W

BMXCPS3500

Main

Range of product	Modicon X80
Product or component type	Power supply module
Backplane compatibility	Not compatible with BMEXBP..02
Primary voltage	100...240 V
Supply circuit type	AC
Secondary power	15 W 3.3 V DC I/O module logic power supply 31.2 W 24 V DC I/O module power supply and processor 21.6 W 24 V DC sensor power supply

Complementary

Primary voltage limit	85...264 V
Network frequency	50/60 Hz
Network frequency limits	47...63 Hz
Apparent power	0.12 kVA
Input current	0.52 A 240 V 1.04 A 115 V
Inrush current	30 A 120 V 60 A 240 V
I ² t on activation	1 A ² .s 120 V 3 A ² .s 240 V
It on activation	0.05 A.s 120 V 0.07 A.s 240 V
MTBF reliability	4300000 H
Protection type	Internal fuse not accessible for primary circuit Overload protection for secondary circuit Overvoltage protection for secondary circuit Short-circuit protection for secondary circuit
Current at secondary voltage	0.9 A 24 V DC sensor power supply 1.3 A 24 V DC I/O module power supply and processor 4.5 A 3.3 V DC I/O module logic power supply
Maximum power dissipation in W	8.5 W
Status LED	1 LED (green) rack voltage OK 1 LED (green) sensor voltage
Control type	RESET push-button cold restart
Electrical connection	1 connector 2 pin(s) alarm relay 1 connector 5 pin(s) line supply, protective earth, 24 V DC input sensor

Insulation resistance	>= 100 MOhm primary/ground >= 100 MOhm primary/secondary
------------------------------	---

Net weight	0.36 kg
-------------------	---------

Environment

Immunity to microbreaks	1 ms
--------------------------------	------

Dielectric strength	1500 V primary/secondary I/O module logic power supply 1500 V primary/secondary I/O module power supply and processor 2300 V primary/secondary sensor power supply 1500 V primary/ground 500 V 24 V sensor output/ground
----------------------------	--

Vibration resistance	3 gn
-----------------------------	------

Shock resistance	30 gn
-------------------------	-------

IP degree of protection	IP20
--------------------------------	------

Directives	2014/35/EU - low voltage directive 2014/30/EU - electromagnetic compatibility
-------------------	--

Ambient air temperature for storage	-40...85 °C
--	-------------

Ambient air temperature for operation	0...60 °C
--	-----------

Relative humidity	5...95 % at 55 °C without condensation
--------------------------	--

Protective treatment	TC
-----------------------------	----

Operating altitude	0...2000 m 2000...5000 m with derating factor
---------------------------	--

Packing Units

Unit Type of Package 1	PCE
-------------------------------	-----

Number of Units in Package 1	1
-------------------------------------	---

Package 1 Height	13.263 cm
-------------------------	-----------

Package 1 Width	15.407 cm
------------------------	-----------

Package 1 Length	15.59 cm
-------------------------	----------

Package 1 Weight	489.8 g
-------------------------	---------

Unit Type of Package 2	S04
-------------------------------	-----

Number of Units in Package 2	12
-------------------------------------	----

Package 2 Height	30 cm
-------------------------	-------

Package 2 Width	40 cm
------------------------	-------

Package 2 Length	60 cm
-------------------------	-------

Package 2 Weight	7.0 kg
-------------------------	--------

Unit Type of Package 3	P06
-------------------------------	-----

Number of Units in Package 3	48
-------------------------------------	----

Package 3 Height	75 cm
-------------------------	-------

Package 3 Width	60 cm
------------------------	-------

Package 3 Length	80 cm
-------------------------	-------

Package 3 Weight	38 kg
-------------------------	-------

Offer Sustainability

Sustainable offer status	Green Premium product
---------------------------------	-----------------------

REACH Regulation	REACH Declaration
-------------------------	-----------------------------------

EU RoHS Directive	Pro-active compliance (Product out of EU RoHS legal scope)
--------------------------	--

[EU RoHS Declaration](#)

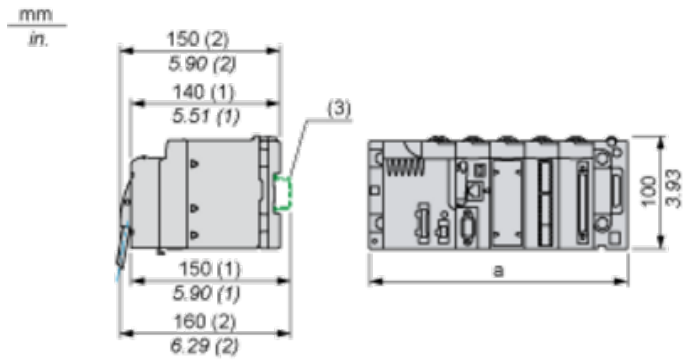
Mercury free	Yes
China RoHS Regulation	China RoHS declaration
RoHS exemption information	Yes
Environmental Disclosure	Product Environmental Profile
Circularity Profile	End of Life Information
WEEE	The product must be disposed on European Union markets following specific waste collection and never end up in rubbish bins
California proposition 65	WARNING: This product can expose you to chemicals including: Lead and lead compounds, which is known to the State of California to cause cancer and birth defects or other reproductive harm. For more information go to www.P65Warnings.ca.gov

Contractual warranty

Warranty	18 months
-----------------	-----------

Modules Mounted on Racks

Dimensions



(1) With removable terminal block (cage, screw or spring).

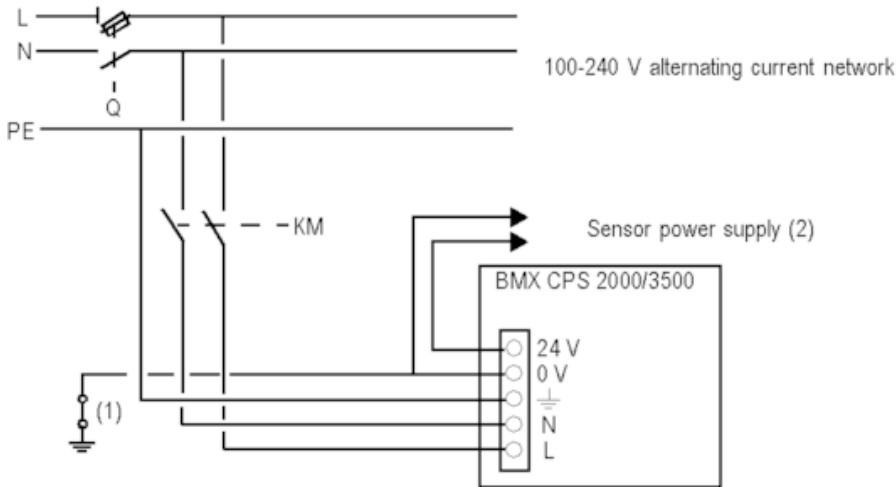
(2) With FCN connector.

(3) On AM1 ED rail: 35 mm wide, 15 mm deep. Only possible with BMXXBP0400/0400H/0600/0600H/0800/0800H rack.

Rack references	a in mm	a in in.
BMXXBP0400 and BMXXBP0400H	242.4	09.54
BMXXBP0600 and BMXXBP0600H	307.6	12.11
BMXXBP0800 and BMXXBP0800H	372.8	14.68
BMXXBP1200 and BMXXBP1200H	503.2	19.81

Connection of Alternating Current Power Supply Modules

Connection of a PLC Station Constituted of a Single Rack



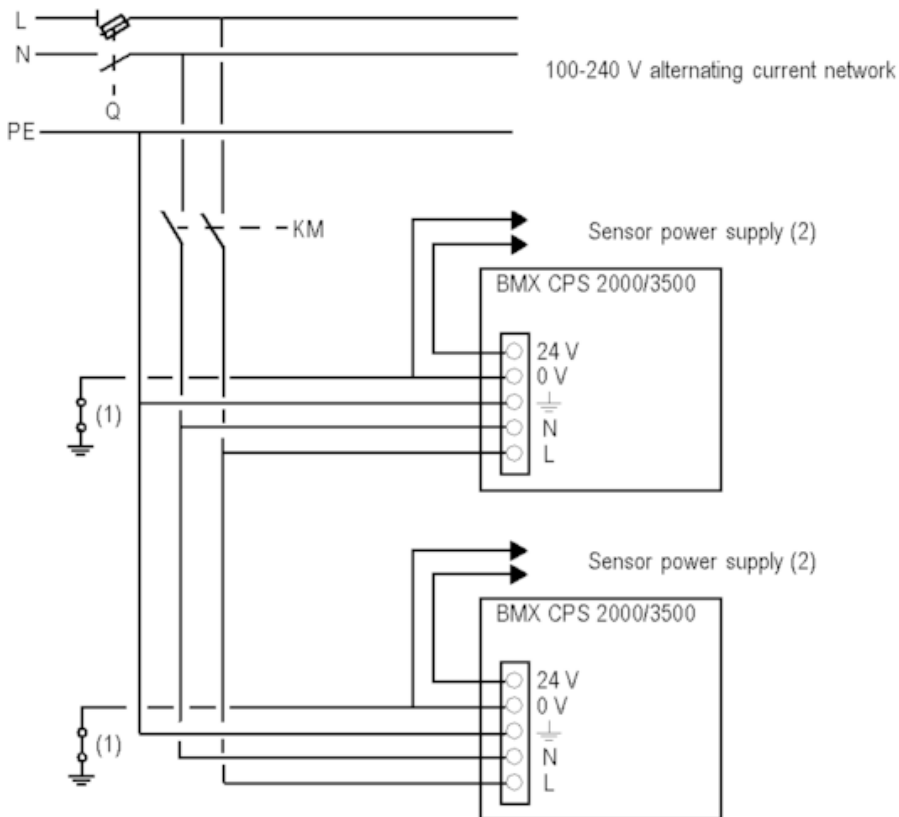
Q General isolator

KM Line contactor or circuit breaker

(1) Insulation connector bar for locating grounding errors

(2) Available current of 0.45 A for the BMXCPS2000 module or 0.9 A for the BMXCPS3500 module

Connection of a PLC Station Constituted of Several Racks



Q General isolator

KM Line contactor or circuit breaker

(1) Insulation connector bar for locating grounding errors

(2) Available current of 0.45 A for the BMXCPS2000 module or 0.9 A for the BMXCPS3500 module

Recommended replacement(s)