

CA-19S1N126Z00 - Device connector front mounting



1619879

<https://www.phoenixcontact.com/in/products/1619879>

Please be informed that the data shown in this PDF document is generated from our Online Catalog. Please find the complete data in the user documentation. Our General Terms of Use for Downloads are valid.



M23, Device connector front mounting, CA, straight, shielded: yes, for standard and SPEEDCON interlock, No. of pos.: 16+3, Direction of rotation: Standard, type of contact: Socket, Solder connection, Axial seal, Central fastening Pg13,5, coding:N, Alternative product in accordance with RoHS II without Exemption 6c (Pb <0.1%) item no.: 1243870

Your advantages

- Safe use in the field, thanks to high degree of protection
- Connector for flexible on-site assembly
- Consistent EMC protection for reliable transmission of signals
- Solder connection: proven connection technology for various litz wires

Commercial Data

Item number	1619879
Packing unit	1 pc
Minimum order quantity	1 pc
Note	Made to Order (non-returnable)
Sales Key	ABR
Product Key	ABRBFJ
Catalog Page	Page 95 (C-2-2019)
GTIN	4046356820875
Weight per Piece (including packing)	28.6 g
Weight per Piece (excluding packing)	21.6 g
Customs tariff number	85366990
Country of origin	DE

Technical Data

Product properties

Product type	Circular connectors (device side)
--------------	-----------------------------------

Connector

Connection 1

Head design	Socket
-------------	--------

Insulating body

Coding	N
Insulation body material	PA 6.6
Contact material	CuZn
Contact surface material	Ni/Au
Insertion/withdrawal cycles	100
Connection method	Solder connection
Contact type	Socket
Application	Signal
Number of positions	19
Direction of rotation	Standard
Connection profile	16+3
Contact diameter Power contacts	1.5 mm
Litz wire cross-section Power contacts max.	1 mm ²
Rated current Power contacts	10 A
Rated voltage	48 V AC 74 V DC
Rated surge voltage	1.5 kV
Overvoltage category	III
Degree of pollution	3
Contact diameter Signal contacts	1 mm
Litz wire cross-section Signal contacts max.	1 mm ²
Nominal current per signal contact	8 A

Housing

Order information:	If necessary, order locking nut separately
Housing material	CuZn
Type of locking	for standard and SPEEDCON interlock
Pg screw connection	none
Degree of protection (plugged in)	IP67
Thread type	M23

Environmental and real-life conditions

CA-19S1N126Z00 - Device connector front mounting



1619879

<https://www.phoenixcontact.com/in/products/1619879>

Ambient conditions

Ambient temperature (operation)

-40 °C ... 125 °C

CA-19S1N126Z00 - Device connector front mounting

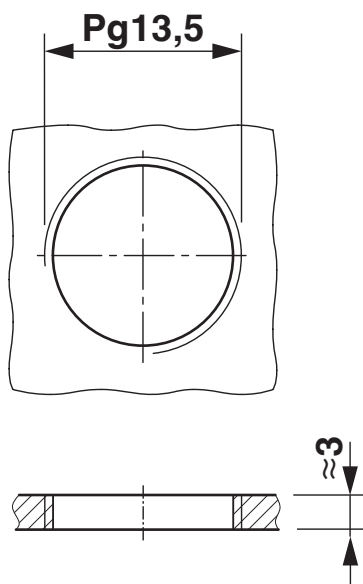


1619879

<https://www.phoenixcontact.com/in/products/1619879>

Drawings

Dimensional drawing



Installation dimensions

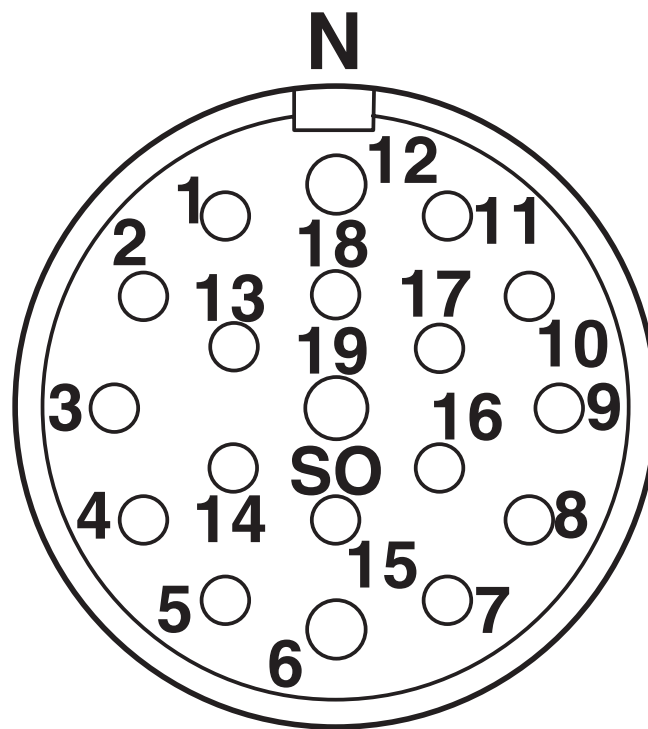
CA-19S1N126Z00 - Device connector front mounting



1619879

<https://www.phoenixcontact.com/in/products/1619879>

Schematic diagram



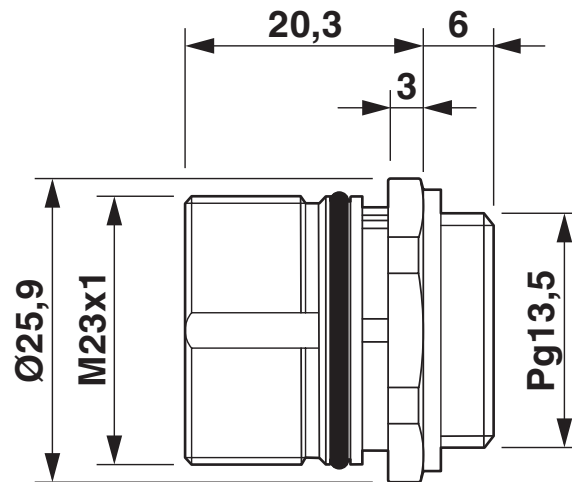
CA-19S1N126Z00 - Device connector front mounting

1619879

<https://www.phoenixcontact.com/in/products/1619879>



Dimensional drawing




CA-19S1N126Z00 - Device connector front mounting




1619879

<https://www.phoenixcontact.com/in/products/1619879>

Approvals

 cUL Recognized Approval ID: E335019-20141210				
	Nominal Voltage U_N	Nominal Current I_N	Cross Section AWG	Cross Section mm^2
	48 V	6 A	- 18	-
	48 V	5 A	- 18	-

 UL Recognized Approval ID: E335019-20141210				
	Nominal Voltage U_N	Nominal Current I_N	Cross Section AWG	Cross Section mm^2
	48 V	10 A	- 18	-
	48 V	8 A	- 18	-

CA-19S1N126Z00 - Device connector front mounting



1619879

<https://www.phoenixcontact.com/in/products/1619879>

Classifications

ECLASS

ECLASS-11.0	27440102
ECLASS-12.0	27440116
ECLASS-13.0	27440116

ETIM

ETIM 8.0	EC002635
----------	----------

UNSPSC

UNSPSC 21.0	39121400
-------------	----------

CA-19S1N126Z00 - Device connector front mounting



1619879

<https://www.phoenixcontact.com/in/products/1619879>

Environmental Product Compliance

REACH SVHC	Lead 7439-92-1
China RoHS	Environmentally Friendly Use Period = 50 years
	For information on hazardous substances, refer to the manufacturer's declaration available under "Downloads"

CA-19S1N126Z00 - Device connector front mounting



1619879

<https://www.phoenixcontact.com/in/products/1619879>

Accessories

SF-Z0019 - Protective cap

1607449

<https://www.phoenixcontact.com/in/products/1607449>



Plastic protection cap, with eye, IP40 for connectors with M23 external thread, RF, SF series

RC-Z2059 - Protective cap

1604225

<https://www.phoenixcontact.com/in/products/1604225>



Plastic protection cap for connectors with M23 external thread

CA-19S1N126Z00 - Device connector front mounting



1619879

<https://www.phoenixcontact.com/in/products/1619879>

RC-Z2469 - Protective cap

1611797

<https://www.phoenixcontact.com/in/products/1611797>



Plastic protection cap, antistatic, for RF, SF, CA, RC series connectors, with M23 external thread

RC-Z2104 - Metal protective cap

1604260

<https://www.phoenixcontact.com/in/products/1604260>



Metal protective cap, M23, degree of protection: IP67, series: RC, Alternative product in accordance with RoHS II without Exemption 6c (Pb <0.1%) item no.: 1241739

CA-19S1N126Z00 - Device connector front mounting



1619879

<https://www.phoenixcontact.com/in/products/1619879>

RC-Z2068 - Metal protective cap

1604236

<https://www.phoenixcontact.com/in/products/1604236>

Metal protective cap, M23, degree of protection: IP67, series: RC, Alternative product in accordance with RoHS II without Exemption 6c (Pb <0.1%) item no.: 1241735



CA-Z0110 - Color-coding

1620700

<https://www.phoenixcontact.com/in/products/1620700>

Color-coding, color: green



CA-19S1N126Z00 - Device connector front mounting

1619879

<https://www.phoenixcontact.com/in/products/1619879>

CA-Z0111 - Color-coding

1620701

<https://www.phoenixcontact.com/in/products/1620701>

Color-coding, color: orange



CA-Z0112 - Color-coding

1620702

<https://www.phoenixcontact.com/in/products/1620702>

Color-coding, color: black



CA-19S1N126Z00 - Device connector front mounting



1619879

<https://www.phoenixcontact.com/in/products/1619879>

CA-Z0001 - Contact removal tool

1620699

<https://www.phoenixcontact.com/in/products/1620699>



Unlocking tool for contact carriers for snapping in the M23 signal device connectors

SACC-E-MU-PG13,5 - Flat nut

1539143

<https://www.phoenixcontact.com/in/products/1539143>

Flat nut, Screw mounting, Pg13.5, Item is lead-free in accordance with RoHS II without Exemption 6c (Pb <0.1%)



Phoenix Contact 2023 © - all rights reserved
<https://www.phoenixcontact.com>

PHOENIX CONTACT (I) Pvt. Ltd.
A-58/2, Okhla Industrial Area, Phase - II, New Delhi-110 020

+91.1275.71420
info@phoenixcontact.co.in