

# UMK-16 RM 24DC/MKDS - Multiple relay module



2972990

<https://www.phoenixcontact.com/in/products/2972990>

Please be informed that the data shown in this PDF document is generated from our Online Catalog. Please find the complete data in the user documentation. Our General Terms of Use for Downloads are valid.



VARIOFACE module, for 16 plug-in miniature relays or miniature optocouplers, with LED, 24 V DC input voltage

## Commercial Data

Item number	2972990
Packing unit	1 pc
Minimum order quantity	1 pc
Note	Made to Order (non-returnable)
Sales Key	CK6
Product Key	CK6164
Catalog Page	Page 551 (C-7-2013)
GTIN	4017918088910
Weight per Piece (including packing)	460.6 g
Weight per Piece (excluding packing)	460.6 g
Customs tariff number	85364190
Country of origin	DE

# UMK-16 RM 24DC/MKDS - Multiple relay module



2972990

<https://www.phoenixcontact.com/in/products/2972990>

## Technical Data

### Notes

#### Utilization restriction

EMC note	EMC: class A product, see manufacturer's declaration in the download area
----------	---

### Product properties

Product type	Multi-channel relay module
No. of channels	16
Compatible components	Miniature relays or miniature optocouplers
With components	no

#### Insulation characteristics

Overvoltage category	III
Pollution degree	2

### Electrical properties

No. of channels	16
Maximum power dissipation for nominal condition	48 mW
Rated insulation voltage	260 V AC
Rated surge voltage	4 kV (Basic insulation between output contact current paths) 6 kV (Safe isolation and reinforced insulation between input circuit and output contact paths)

### Input data

Nominal input voltage $U_N$	24 V DC
Input voltage range in reference to $U_N$	0.8 ... 1.1
Typical input current at $U_N$	2 mA (Light indicator)
Protective circuit	Freewheeling diode; Freewheeling diode Reverse polarity protection; Polarity protection diode
Operating voltage display	Yellow LED
Status display/channel	Yellow LED

### Output data

Compatible components	Miniature relays or miniature optocouplers
-----------------------	--

#### Switching

Contact type	1 changeover contact
Maximum switching voltage	250 V AC/DC
Limiting continuous current	5 A
Maximum inrush current	8 A
Error detection (line break / short-circuit)	no

### Connection data

# UMK-16 RM 24DC/MKDS - Multiple relay module



2972990

<https://www.phoenixcontact.com/in/products/2972990>

## Input

Connection method	Screw connection
Stripping length	8 mm
Screw thread	M3
Number of connections	1
Number of positions	20
Conductor cross section rigid	0.2 mm <sup>2</sup> ... 4 mm <sup>2</sup>
Conductor cross section flexible	0.2 mm <sup>2</sup> ... 2.5 mm <sup>2</sup>
Conductor cross section AWG	24 ... 12

## Output

Connection method	Screw connection
Stripping length	8 mm
Screw thread	M3
Number of connections	48
Number of positions	3
Conductor cross section rigid	0.2 mm <sup>2</sup> ... 4 mm <sup>2</sup>
Conductor cross section flexible	0.2 mm <sup>2</sup> ... 2.5 mm <sup>2</sup>
Conductor cross section AWG	24 ... 12

## Signaling

Status display present	Yes
------------------------	-----

## Dimensions

Width	259 mm
Height	77 mm
Depth	59 mm

## Environmental and real-life conditions

### Ambient conditions

Degree of protection	IP00
Ambient temperature (operation)	-20 °C ... 50 °C
Ambient temperature (storage/transport)	-20 °C ... 70 °C

## Standards and regulations

Standards/regulations	DIN EN 50178
	IEC 60664

## Mounting

Mounting type	DIN rail mounting
Mounting position	any

# UMK-16 RM 24DC/MKDS - Multiple relay module

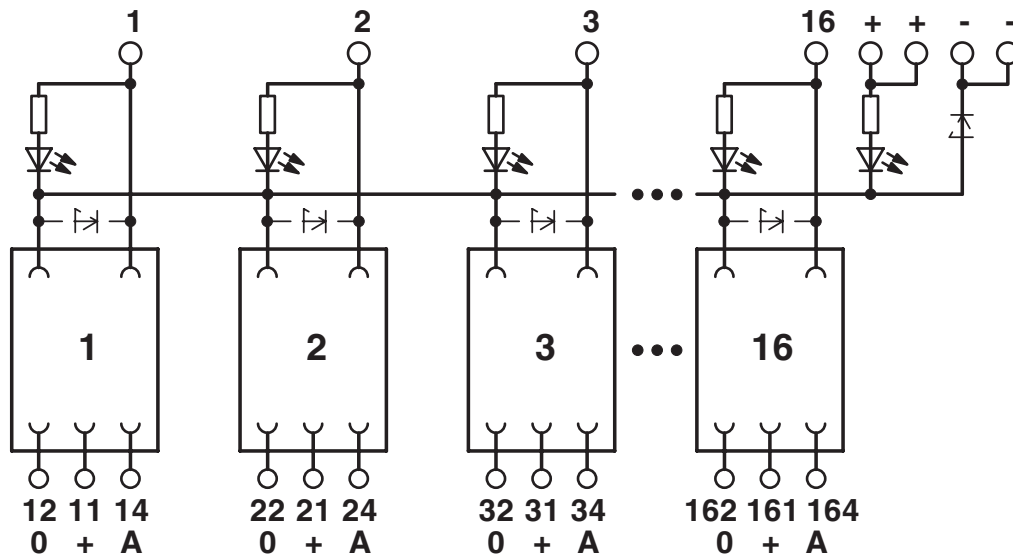


2972990

<https://www.phoenixcontact.com/in/products/2972990>

## Drawings

Circuit diagram



# UMK-16 RM 24DC/MKDS - Multiple relay module



2972990

<https://www.phoenixcontact.com/in/products/2972990>

## Approvals

**EAC** **EAC**  
Approval ID: TR\_TS\_D\_00573\_c

**EAC** **EAC**  
Approval ID: RU\*C-DE.\*08.B.00010

# UMK-16 RM 24DC/MKDS - Multiple relay module



2972990

<https://www.phoenixcontact.com/in/products/2972990>

## Classifications

### ECLASS

ECLASS-11.0	27371603
ECLASS-12.0	27371603
ECLASS-13.0	27371603

### ETIM

ETIM 8.0	EC001456
----------	----------

### UNSPSC

UNSPSC 21.0	39122300
-------------	----------

# UMK-16 RM 24DC/MKDS - Multiple relay module



2972990

<https://www.phoenixcontact.com/in/products/2972990>

## Environmental Product Compliance

REACH SVHC	Lead 7439-92-1
China RoHS	Environmentally Friendly Use Period = 50 years
	For information on hazardous substances, refer to the manufacturer's declaration available under "Downloads"

# UMK-16 RM 24DC/MKDS - Multiple relay module



2972990

<https://www.phoenixcontact.com/in/products/2972990>

## Accessories

### REL-MR- 24DC/21HC - Single relay

2961312

<https://www.phoenixcontact.com/in/products/2961312>



Plug-in miniature power relay, with power contact for high continuous currents, 1 changeover contact, input voltage 24 V DC

### REL-MR- 24DC/21HC AU - Single relay

2961545

<https://www.phoenixcontact.com/in/products/2961545>



Plug-in miniature power relay, with multi-layer gold contact for high continuous currents, 1 changeover contact, input voltage 24 V DC

Phoenix Contact 2023 © - all rights reserved

<https://www.phoenixcontact.com>

PHOENIX CONTACT (I) Pvt. Ltd.

A-58/2, Okhla Industrial Area, Phase - II, New Delhi-110 020

+91.1275.71420

[info@phoenixcontact.co.in](mailto:info@phoenixcontact.co.in)