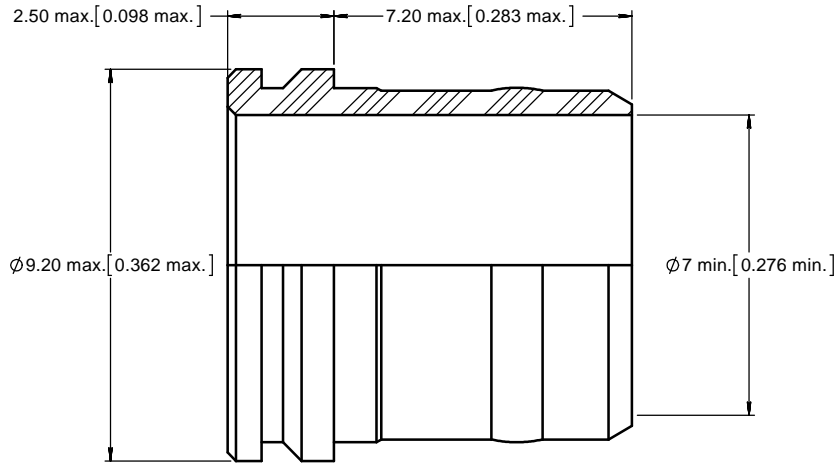


Series
BPX

ALIGNMENT BOOT FOR SIZE 8 PIN CONTACTS

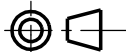
Issue:
May 06, 2014

Page
1/1



MATERIAL :
- POLYTETRAFLUOROETHYLENE (PTFE) PER ASTM D 1710 TYPE I, GRADE 1, CLASS B

DIMENSIONS : mm (inch are given for information only)



Estimated weight : 0.33 g

This document contains proprietary information and such information shall not be disclosed to any third party for any purpose whatsoever or used for manufacturing purposes without prior written agreement from RADIALL. This information is given as an indication. In the continual goal to improve our products, we reserve the right to make any modifications judged necessary.

4112_9311

CREATION PEN: / NOM: RAMOS D. DATE: May 06, 2014 APPR.: BRANJONNEAU V.					
	/	/	/	/	
	Issue	Revisions	Name	Approved	