

# EH 90-B/ABS GY7035 - Mounting base housing



2201487

<https://www.phoenixcontact.com/in/products/2201487>

Please be informed that the data shown in this PDF document is generated from our Online Catalog. Please find the complete data in the user documentation. Our General Terms of Use for Downloads are valid.



DIN rail housing, Lower housing part with base latch, tall design, with vents, width: 90.1 mm, height: 75 mm, depth: 87.3 mm, color: light grey (7035)

## Your advantages

- DIN rail or wall mounting for application-specific device attachment
- Easy design-in, thanks to variable housing form factor
- Complete flexibility, thanks to PCBs with horizontal, frontal, and orthogonal orientation to the front of the device
- Three cover versions for individual PCB connections
- Integration of a wide variety of PCB connection technologies for a functional device design

## Commercial Data

Item number	2201487
Packing unit	10 pc
Minimum order quantity	10 pc
Sales Key	ACH
Product Key	ACHCHA
GTIN	4046356809351
Weight per Piece (including packing)	81.6 g
Weight per Piece (excluding packing)	81.6 g
Customs tariff number	85389099
Country of origin	IN

# EH 90-B/ABS GY7035 - Mounting base housing

2201487

<https://www.phoenixcontact.com/in/products/2201487>

## Technical Data

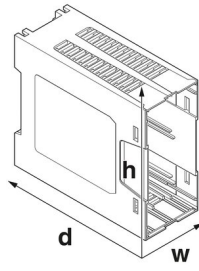
### Notes

Assembly instruction:	Refer to the data sheet for the range in the download area.
-----------------------	---

### Product properties

Type	Lower housing parts with vents, housing cover necessary to complete the module
Product type	Lower part of the housing
Product family	EH...B
Type	Lower housing part with base latch, tall design
Housing type	DIN rail housing
Ventilation openings present	yes
Housing series	EH

### Dimensions

Dimensional drawing	
Width	90.1 mm
Height	75 mm
Depth	87.3 mm
Depth from top edge of DIN rail to support point on upper part	83 mm

### PCB design

PCB thickness	1.4 mm ... 1.8 mm
---------------	-------------------

### Material specifications

Color	light grey (7035)
Flammability rating according to UL 94	HB
Surface characteristics	untreated
Housing material	ABS

### Environmental and real-life conditions

#### Vibration test

Specification	IEC 60068-2-6:2007-12
Frequency	10 - 150 - 10 Hz
Sweep speed	1 octave/min
Amplitude	0.15 mm (10 Hz ... 58.1 Hz)

# EH 90-B/ABS GY7035 - Mounting base housing



2201487

<https://www.phoenixcontact.com/in/products/2201487>

Acceleration	2g (58.1 Hz ... 150 Hz)
Test duration per axis	2.5 h
Test directions	X-, Y- and Z-axis

## Glow-wire test

Specification	IEC 60695-2-11:2014-02
Temperature	850 °C
Time of exposure	30 s

## Thermal stability / ball thrust test

Specification	IEC 60695-10-2:2014-02
Temperature	80 °C
Test duration	1 h
Force	20 N

## Mechanical strength / tumbling barrel

Specification	IEC 60998-1:2002-12
Height of fall	50 cm
Frequency	10

## Shocks

Specification	IEC 60068-2-27:2008-02
Pulse shape	Half-sine
Acceleration	15g
Shock duration	11 ms
Number of shocks per direction	3
Test directions	X-, Y- and Z-axis (pos. and neg.)

## Degree of protection (IP code)

Specification	IEC 60529:1989-11 + AMD 1:1999-11 + AMD 2:2013-08
---------------	---

## Ambient conditions

Max. IP code to attain	IP20
Ambient temperature (operation)	-40 °C ... 80 °C (depending on power dissipation)
Ambient temperature (storage/transport)	-40 °C ... 55 °C
Ambient temperature (assembly)	-5 °C ... 80 °C
Relative humidity (storage/transport)	95 %

## PCB data

Number of PCB holders	7
Type of PCB mount	Latching
Thickness of the PCB	1.4 mm ... 1.8 mm

## Mounting

Mounting type	DIN rail mounting/wall mounting (with optional base latch)
Mounting position	Vertical (horizontal DIN rail)

# EH 90-B/ABS GY7035 - Mounting base housing



2201487

<https://www.phoenixcontact.com/in/products/2201487>

## Packaging specifications

Type of packaging	packed in cardboard
Outer packaging type	Carton

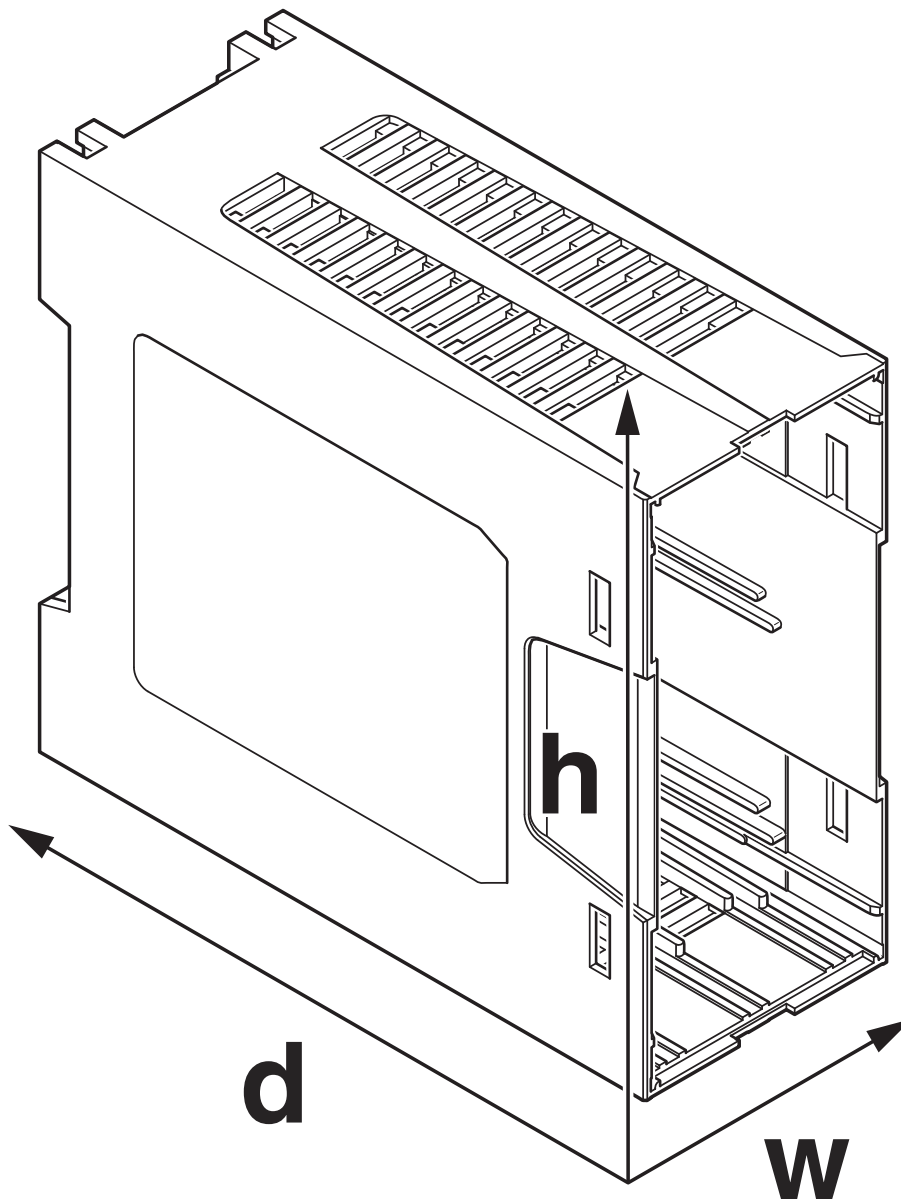
# EH 90-B/ABS GY7035 - Mounting base housing

2201487

<https://www.phoenixcontact.com/in/products/2201487>

## Drawings

Dimensional drawing



Schematic figure for illustrating the item dimensions. The figure is not of the desired product. For further details, refer to the product drawings in the "Downloads" tab.

# EH 90-B/ABS GY7035 - Mounting base housing



2201487

<https://www.phoenixcontact.com/in/products/2201487>

## Approvals



**EAC**

Approval ID: B.01687

# EH 90-B/ABS GY7035 - Mounting base housing



2201487

<https://www.phoenixcontact.com/in/products/2201487>

## Classifications

### ECLASS

ECLASS-11.0

27182702

### ETIM

ETIM 8.0

EC001031

### UNSPSC

UNSPSC 21.0

31261500

# EH 90-B/ABS GY7035 - Mounting base housing



2201487

<https://www.phoenixcontact.com/in/products/2201487>

## Environmental Product Compliance

China RoHS	Environmentally friendly use period: unlimited = EFUP-e
	No hazardous substances above threshold values



# EH 90-B/ABS GY7035 - Mounting base housing

2201487

<https://www.phoenixcontact.com/in/products/2201487>

## Mandatory Accessories

### EH 90-C CS/ABS BK9005 - Upper part of housing

2201527

<https://www.phoenixcontact.com/in/products/2201527>



DIN rail housing, Upper housing part, tall design, no connection opening, width: 90.1 mm, height: 75.27 mm, depth: 36.95 mm, color: black (9005)

---

### EH 90-C CS/ABS GY7035 - Upper part of housing

2201526

<https://www.phoenixcontact.com/in/products/2201526>



DIN rail housing, Upper housing part, tall design, no connection opening, width: 90.1 mm, height: 75.27 mm, depth: 36.95 mm, color: light grey (7035)

# EH 90-B/ABS GY7035 - Mounting base housing

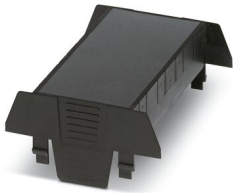
2201487

<https://www.phoenixcontact.com/in/products/2201487>

## EH 90-C DS/ABS BK9005 - Upper part of housing

2201524

<https://www.phoenixcontact.com/in/products/2201524>



DIN rail housing, Upper housing part, tall design, connection opening on both sides, width: 90.1 mm, height: 75.27 mm, depth: 36.95 mm, color: black (9005)

---

## EH 90-C SS/ABS BK9005 - Upper part of housing

2201522

<https://www.phoenixcontact.com/in/products/2201522>



DIN rail housing, Upper housing part, tall design, connection opening on one side, connection opening on one side, width: 90.1 mm, height: 75.27 mm, depth: 36.95 mm, color: black (9005)

# EH 90-B/ABS GY7035 - Mounting base housing

2201487

<https://www.phoenixcontact.com/in/products/2201487>

## EH 90-C SS/ABS GY7035 - Upper part of housing

2201523

<https://www.phoenixcontact.com/in/products/2201523>



DIN rail housing, Upper housing part, tall design, connection opening on one side, connection opening on one side, width: 90.1 mm, height: 75.27 mm, depth: 36.95 mm, color: light grey (7035)

---

## EH 90-C DS/ABS GY7035 - Upper part of housing

2201525

<https://www.phoenixcontact.com/in/products/2201525>



DIN rail housing, Upper housing part, tall design, connection opening on both sides, width: 90.1 mm, height: 75.27 mm, depth: 36.95 mm, color: light grey (7035)

---

## Accessories

# EH 90-B/ABS GY7035 - Mounting base housing



2201487

<https://www.phoenixcontact.com/in/products/2201487>

## EH SNAPLOCK SET WALL MOUNT OG - Base latch

2202007

<https://www.phoenixcontact.com/in/products/2202007>

DIN rail housing, Base latch for wall mounting, width: 28.8 mm, height: 18.7 mm, depth: 4.15 mm, color: orange (2003)



---

Phoenix Contact 2023 © - all rights reserved

<https://www.phoenixcontact.com>

PHOENIX CONTACT (I) Pvt. Ltd.

A-58/2, Okhla Industrial Area, Phase - II, New Delhi-110 020

+91.1275.71420

[info@phoenixcontact.co.in](mailto:info@phoenixcontact.co.in)