

# VIP-3/SC/D25SUB/M - Interface module



2315133

<https://www.phoenixcontact.com/in/products/2315133>

Please be informed that the data shown in this PDF document is generated from our Online Catalog. Please find the complete data in the user documentation. Our General Terms of Use for Downloads are valid.



VARIOFACE module, with screw connection and male D-Subminiature pin strip, for mounting on NS 35 rails, 25-pos.

## Your advantages

- 9-pos. ... 50-pos.
- Metal foot
- In accordance with IEC 60603-13
- 1:1 connection
- Screw connection

## Commercial Data

Item number	2315133
Packing unit	1 pc
Minimum order quantity	1 pc
Sales Key	CK2
Product Key	CK2421
Catalog Page	Page 553 (C-5-2019)
GTIN	4046356312929
Weight per Piece (including packing)	146.4 g
Weight per Piece (excluding packing)	146.4 g
Customs tariff number	85366990
Country of origin	US

## Technical Data

### Notes

General	For proper use, the specifications of the installation directive (see Downloads) must be observed.
---------	--

### Product properties

Product type	Interface module
Product family	VARIOFACE Professional
Number of positions	25
No. of channels	25

### Insulation characteristics

Overvoltage category	II
Pollution degree	2

### Electrical properties

No. of channels	25
Nominal voltage $U_N$	25 V AC
	60 V DC
Max. current carrying capacity per branch	2 A
Rated surge voltage	1.2 kV

### Connection data

#### Field level

Connection in acc. with standard	IEC / EN
Connection method	Screw connection
Stripping length	8 mm
Screw thread	M 3
Conductor cross section rigid	0.2 mm <sup>2</sup> ... 4 mm <sup>2</sup>
Conductor cross section flexible	0.2 mm <sup>2</sup> ... 2.5 mm <sup>2</sup>
Conductor cross section AWG	24 ... 12

#### Controller level

Connection method	D-SUB pin strip
Number of connections	1
Number of positions	25

### Signaling

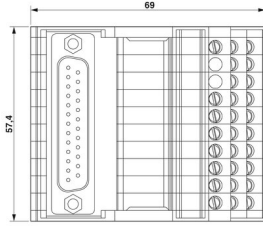
Status display	No
Status display present	No

### Dimensions

# VIP-3/SC/D25SUB/M - Interface module

2315133

<https://www.phoenixcontact.com/in/products/2315133>

Dimensional drawing	
Width	57.4 mm
Height	69 mm
Depth	62 mm

## Material specifications

Flammability rating according to UL 94	V0
Housing insulation material	Polyamide 6.6 green

## Environmental and real-life conditions

### Ambient conditions

Ambient temperature (operation)	-20 °C ... 50 °C
Ambient temperature (storage/transport)	-20 °C ... 70 °C

## Standards and regulations

Standards/regulations	IEC 60664
	DIN EN 50178

## Mounting

Mounting type	DIN rail mounting
Mounting position	any

# VIP-3/SC/D25SUB/M - Interface module

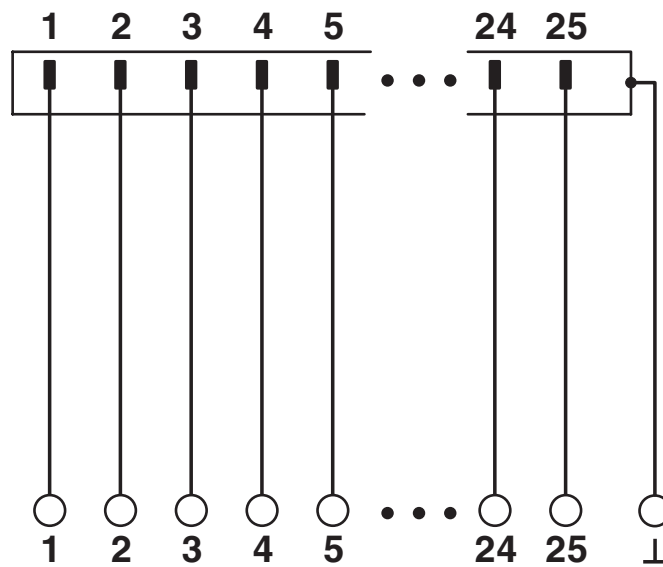
2315133

<https://www.phoenixcontact.com/in/products/2315133>



## Drawings

Circuit diagram



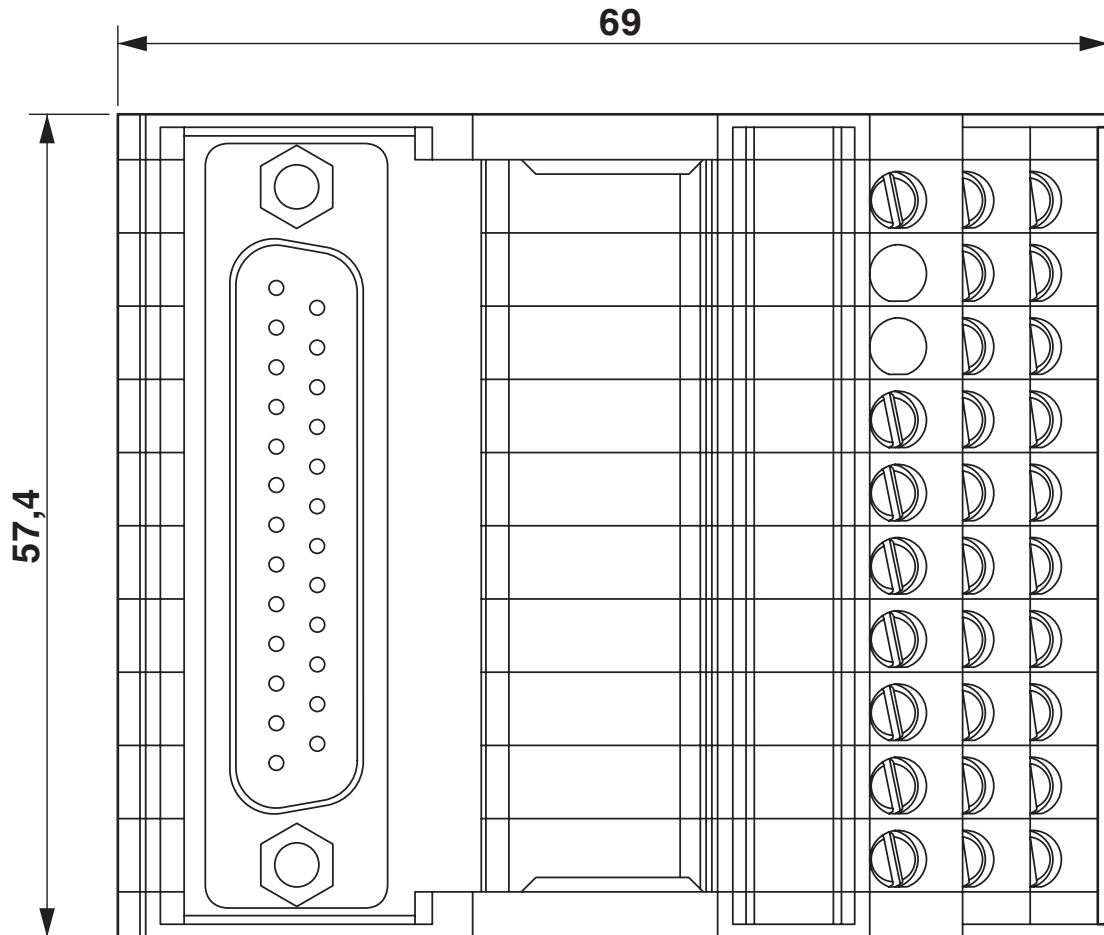
# VIP-3/SC/D25SUB/M - Interface module



2315133

<https://www.phoenixcontact.com/in/products/2315133>

Dimensional drawing



# VIP-3/SC/D25SUB/M - Interface module




2315133


<https://www.phoenixcontact.com/in/products/2315133>

## Approvals

To download certificates, visit the product detail page: <https://www.phoenixcontact.com/in/products/2315133>

 <b>CSA</b> Approval ID: 2122203				
	Nominal Voltage $U_N$	Nominal Current $I_N$	Cross Section AWG	Cross Section $\text{mm}^2$
	105 V	2 A	28 - 14	-

 <b>cUL Recognized</b> Approval ID: FILE E 238705				
	Nominal Voltage $U_N$	Nominal Current $I_N$	Cross Section AWG	Cross Section $\text{mm}^2$
	125 V	2 A	30 - 12	-

 <b>UL Recognized</b> Approval ID: FILE E 238705				
	Nominal Voltage $U_N$	Nominal Current $I_N$	Cross Section AWG	Cross Section $\text{mm}^2$
	125 V	2 A	30 - 12	-

 <b>EAC</b> Approval ID: EAC-Zulassung				
--	--	--	--	--

 <b>CSAus</b> Approval ID: 2122203				
	Nominal Voltage $U_N$	Nominal Current $I_N$	Cross Section AWG	Cross Section $\text{mm}^2$
	105 V	2 A	28 - 14	-

# VIP-3/SC/D25SUB/M - Interface module



2315133

<https://www.phoenixcontact.com/in/products/2315133>

## Classifications

### ECLASS

ECLASS-11.0	27141152
ECLASS-12.0	27141152
ECLASS-13.0	27141152

### ETIM

ETIM 8.0	EC002780
----------	----------

### UNSPSC

UNSPSC 21.0	39121400
-------------	----------

# VIP-3/SC/D25SUB/M - Interface module



2315133

<https://www.phoenixcontact.com/in/products/2315133>

## Environmental Product Compliance

REACH SVHC	Lead 7439-92-1
China RoHS	Environmentally Friendly Use Period = 50 years
	For information on hazardous substances, refer to the manufacturer's declaration available under "Downloads"



# VIP-3/SC/D25SUB/M - Interface module



2315133

<https://www.phoenixcontact.com/in/products/2315133>

## Accessories

### CABLE D-SUB-S/.../.../... - Cable

2302340

<https://www.phoenixcontact.com/in/products/2302340>



Shielded round cable, assembled with one D-SUB female and pin strip (9-, 15-, 25-, 37-, or 50-pos.), variable cable length

---

### CABLE D-SUB-B-B-S/.../.../... - Cable

2302421

<https://www.phoenixcontact.com/in/products/2302421>



Shielded round cable, assembled with two D-SUB female strips (9-, 15-, 25-, 37-, or 50-pos.), variable cable length

# VIP-3/SC/D25SUB/M - Interface module



2315133

<https://www.phoenixcontact.com/in/products/2315133>

## UC-TM 4 - Marker for terminal blocks

0818111

<https://www.phoenixcontact.com/in/products/0818111>



Marker for terminal blocks, Sheet, white, unlabeled, can be labeled with: BLUEMARK ID COLOR, BLUEMARK ID, BLUEMARK CLED, PLOTMARK, CMS-P1-PLOTTER, mounting type: snapped, for terminal block width: 4.2 mm, lettering field size: 3.6 x 10.5 mm, Number of individual labels: 120

---

## UC-TM 6 - Marker for terminal blocks

0818085

<https://www.phoenixcontact.com/in/products/0818085>



Marker for terminal blocks, Sheet, white, unlabeled, can be labeled with: BLUEMARK ID COLOR, BLUEMARK ID, BLUEMARK CLED, PLOTMARK, CMS-P1-PLOTTER, mounting type: snapped, for terminal block width: 6.2 mm, lettering field size: 5.6 x 10.5 mm, Number of individual labels: 80

# VIP-3/SC/D25SUB/M - Interface module

2315133

<https://www.phoenixcontact.com/in/products/2315133>



## UCT-TM 6 - Marker for terminal blocks

0828736

<https://www.phoenixcontact.com/in/products/0828736>



Marker for terminal blocks, Sheet, white, unlabeled, can be labeled with: TOPMARK NEO, TOPMARK LASER, BLUEMARK ID COLOR, BLUEMARK ID, BLUEMARK CLED, THERMOMARK PRIME, THERMOMARK CARD 2.0, THERMOMARK CARD, mounting type: snapped, for terminal block width: 6.2 mm, lettering field size: 5.6 x 10.5 mm, Number of individual labels: 60

---

## ZB 5,08:UNBEDRUCKT - Zack marker strip

0809793

<https://www.phoenixcontact.com/in/products/0809793>



Zack marker strip, Strip, white, unlabeled, can be labeled with: PLOTMARK, CMS-P1-PLOTTER, mounting type: snapped, for terminal block width: 5.08 mm, lettering field size: 4.98 x 10.5 mm, Number of individual labels: 10

# VIP-3/SC/D25SUB/M - Interface module

2315133

<https://www.phoenixcontact.com/in/products/2315133>

## ZB 22:UNBEDRUCKT - Zack marker strip

0811862

<https://www.phoenixcontact.com/in/products/0811862>



Zack marker strip, Strip, white, unlabeled, can be labeled with: PLOTMARK, CMS-P1-PLOTTER, mounting type: snapped, for terminal block width: 22 mm, lettering field size: 10.5 x 21.8 mm, Number of individual labels: 4

---

## CABLE-D25SUB/B/S/ 50/KONFEK/S - Cable

2302120

<https://www.phoenixcontact.com/in/products/2302120>



Assembled shielded round cable; connection 1: D-SUB socket strip (1x 25-position); connection 2: D-SUB pin strip (1x 25-position); cable length: 0.5 m

# VIP-3/SC/D25SUB/M - Interface module



2315133

<https://www.phoenixcontact.com/in/products/2315133>

## CABLE-D25SUB/B/S/100/KONFEK/S - Cable

2302133

<https://www.phoenixcontact.com/in/products/2302133>



Assembled shielded round cable; connection 1: D-SUB socket strip (1x 25-position); connection 2: D-SUB pin strip (1x 25-position); cable length: 1 m

---

## CABLE-D25SUB/B/S/150/KONFEK/S - Cable

2302146

<https://www.phoenixcontact.com/in/products/2302146>



Assembled shielded round cable; connection 1: D-SUB socket strip (1x 25-position); connection 2: D-SUB pin strip (1x 25-position); cable length: 1.5 m

# VIP-3/SC/D25SUB/M - Interface module

2315133

<https://www.phoenixcontact.com/in/products/2315133>

## CABLE-D25SUB/B/S/200/KONFEK/S - Cable

2302159

<https://www.phoenixcontact.com/in/products/2302159>



Assembled shielded round cable; connection 1: D-SUB socket strip (1x 25-position); connection 2: D-SUB pin strip (1x 25-position); cable length: 2 m

---

## CABLE-D25SUB/B/S/300/KONFEK/S - Cable

2302162

<https://www.phoenixcontact.com/in/products/2302162>



Assembled shielded round cable; connection 1: D-SUB socket strip (1x 25-position); connection 2: D-SUB pin strip (1x 25-position); cable length: 3 m

# VIP-3/SC/D25SUB/M - Interface module

2315133

<https://www.phoenixcontact.com/in/products/2315133>

## CABLE-D25SUB/B/S/400/KONFEK/S - Cable

2302175

<https://www.phoenixcontact.com/in/products/2302175>



Assembled shielded round cable; connection 1: D-SUB socket strip (1x 25-position); connection 2: D-SUB pin strip (1x 25-position); cable length: 4 m

---

## CABLE-D25SUB/B/S/600/KONFEK/S - Cable

2302188

<https://www.phoenixcontact.com/in/products/2302188>



Assembled shielded round cable; connection 1: D-SUB socket strip (1x 25-position); connection 2: D-SUB pin strip (1x 25-position); cable length: 6 m

# VIP-3/SC/D25SUB/M - Interface module

2315133

<https://www.phoenixcontact.com/in/products/2315133>

## CABLE-D25SUB/B/S/HF/S/ 1,0M - Cable

1066665

<https://www.phoenixcontact.com/in/products/1066665>



Assembled, shielded, halogen-free round cable; connection 1: D-SUB socket strip (1x 25-position); connection 2: D-SUB pin strip (1x 25-position); cable length: 1 m

---

## CABLE-D25SUB/B/S/HF/S/ 2,0M - Cable

1066666

<https://www.phoenixcontact.com/in/products/1066666>



Assembled, shielded, halogen-free round cable; connection 1: D-SUB socket strip (1x 25-position); connection 2: D-SUB pin strip (1x 25-position); cable length: 2 m



# VIP-3/SC/D25SUB/M - Interface module

2315133

<https://www.phoenixcontact.com/in/products/2315133>



## CABLE-D25SUB/B/S/HF/S/ 3,0M - Cable

1066667

<https://www.phoenixcontact.com/in/products/1066667>



Assembled, shielded, halogen-free round cable; connection 1: D-SUB socket strip (1x 25-position); connection 2: D-SUB pin strip (1x 25-position); cable length: 3 m

---

## CABLE-D25SUB-B-S-HF-S/... - Cable

1075559

<https://www.phoenixcontact.com/in/products/1075559>



Assembled, shielded, halogen-free round cable; connection 1: D-SUB socket strip (1x 25-position); connection 2: D-SUB pin strip (1x 25-position); cable length: variable

# VIP-3/SC/D25SUB/M - Interface module



2315133

<https://www.phoenixcontact.com/in/products/2315133>

## CABLE-D25SUB/B/B/100/KONFEK/S - Cable

2305473

<https://www.phoenixcontact.com/in/products/2305473>



Assembled shielded round cable; connection 1: D-SUB socket strip (1x 25-position); connection 2: D-SUB socket strip (1x 25-position); cable length: 1 m

---

## CABLE-D25SUB/B/B/200/KONFEK/S - Cable

2305486

<https://www.phoenixcontact.com/in/products/2305486>



Assembled shielded round cable; connection 1: D-SUB socket strip (1x 25-position); connection 2: D-SUB socket strip (1x 25-position); cable length: 2 m

# VIP-3/SC/D25SUB/M - Interface module



2315133

<https://www.phoenixcontact.com/in/products/2315133>

## CABLE-D25SUB/B/B/300/KONFEK/S - Cable

2305499

<https://www.phoenixcontact.com/in/products/2305499>



Assembled shielded round cable; connection 1: D-SUB socket strip (1x 25-position); connection 2: D-SUB socket strip (1x 25-position); cable length: 3 m

---

## CABLE-D25SUB/B/B/HF/S/ 1,0M - Cable

1066657

<https://www.phoenixcontact.com/in/products/1066657>



Assembled, shielded, halogen-free round cable; connection 1: D-SUB socket strip (1x 25-position); connection 2: D-SUB socket strip (1x 25-position); cable length: 1 m

# VIP-3/SC/D25SUB/M - Interface module

2315133

<https://www.phoenixcontact.com/in/products/2315133>

## CABLE-D25SUB/B/B/HF/S/ 2,0M - Cable

1066660

<https://www.phoenixcontact.com/in/products/1066660>



Assembled, shielded, halogen-free round cable; connection 1: D-SUB socket strip (1x 25-position); connection 2: D-SUB socket strip (1x 25-position); cable length: 2 m

---

## CABLE-D25SUB/B/B/HF/S/ 3,0M - Cable

1066664

<https://www.phoenixcontact.com/in/products/1066664>



Assembled, shielded, halogen-free round cable; connection 1: D-SUB socket strip (1x 25-position); connection 2: D-SUB socket strip (1x 25-position); cable length: 3 m

# VIP-3/SC/D25SUB/M - Interface module

2315133

<https://www.phoenixcontact.com/in/products/2315133>

## CABLE-D25SUB-B-B-HF-S/... - Cable

1075560

<https://www.phoenixcontact.com/in/products/1075560>



Assembled, shielded, halogen-free round cable; connection 1: D-SUB socket strip (1x 25-position); connection 2: D-SUB socket strip (1x 25-position); cable length: variable

---

## CABLE-D-25SUB/F/OE/0,25/S/0,5M - Cable

2926153

<https://www.phoenixcontact.com/in/products/2926153>



Assembled shielded round cable; connection 1: Single wires (25-position) (The wires are marked and fitted with ferrules. The braided shield is routed to a separate cable end.); connection 2: D-SUB socket strip (1x 25-position); cable length: 0.5 m

# VIP-3/SC/D25SUB/M - Interface module

2315133

<https://www.phoenixcontact.com/in/products/2315133>

## CABLE-D-25SUB/F/OE/0,25/S/1,0M - Cable

2926166

<https://www.phoenixcontact.com/in/products/2926166>



Assembled shielded round cable; connection 1: Single wires (25-position) (The wires are marked and fitted with ferrules. The braided shield is routed to a separate cable end.); connection 2: D-SUB socket strip (1x 25-position); cable length: 1 m

---

## CABLE-D-25SUB/F/OE/0,25/S/1,5M - Cable

2926179

<https://www.phoenixcontact.com/in/products/2926179>



Assembled shielded round cable; connection 1: Single wires (25-position) (The wires are marked and fitted with ferrules. The braided shield is routed to a separate cable end.); connection 2: D-SUB socket strip (1x 25-position); cable length: 1.5 m

# VIP-3/SC/D25SUB/M - Interface module

2315133

<https://www.phoenixcontact.com/in/products/2315133>

## CABLE-D-25SUB/F/OE/0,25/S/2,0M - Cable

2926182

<https://www.phoenixcontact.com/in/products/2926182>



Assembled shielded round cable; connection 1: Single wires (25-position) (The wires are marked and fitted with ferrules. The braided shield is routed to a separate cable end.); connection 2: D-SUB socket strip (1x 25-position); cable length: 2 m

---

## CABLE-D-25SUB/F/OE/0,25/S/3,0M - Cable

2926195

<https://www.phoenixcontact.com/in/products/2926195>



Assembled shielded round cable; connection 1: Single wires (25-position) (The wires are marked and fitted with ferrules. The braided shield is routed to a separate cable end.); connection 2: D-SUB socket strip (1x 25-position); cable length: 3 m

# VIP-3/SC/D25SUB/M - Interface module

2315133

<https://www.phoenixcontact.com/in/products/2315133>

## CABLE-D-25SUB/F/OE/0,25/S/4,0M - Cable

2926205

<https://www.phoenixcontact.com/in/products/2926205>



Assembled shielded round cable; connection 1: Single wires (25-position) (The wires are marked and fitted with ferrules. The braided shield is routed to a separate cable end.); connection 2: D-SUB socket strip (1x 25-position); cable length: 4 m

---

## CABLE-D-25SUB/F/OE/0,25/S/6,0M - Cable

2926218

<https://www.phoenixcontact.com/in/products/2926218>



Assembled shielded round cable; connection 1: Single wires (25-position) (The wires are marked and fitted with ferrules. The braided shield is routed to a separate cable end.); connection 2: D-SUB socket strip (1x 25-position); cable length: 6 m



# VIP-3/SC/D25SUB/M - Interface module

2315133

<https://www.phoenixcontact.com/in/products/2315133>

## CABLE-D-25SUB/F/OE/0,25/S/10M - Cable

2906214

<https://www.phoenixcontact.com/in/products/2906214>



Assembled shielded round cable; connection 1: Single wires (25-position) (The wires are marked and fitted with ferrules. The braided shield is routed to a separate cable end.); connection 2: D-SUB socket strip (1x 25-position); cable length: 10 m

---

## CABLE-D-25SUB/F/OE/0,25/S/15M - Cable

2906215

<https://www.phoenixcontact.com/in/products/2906215>



Assembled shielded round cable; connection 1: Single wires (25-position) (The wires are marked and fitted with ferrules. The braided shield is routed to a separate cable end.); connection 2: D-SUB socket strip (1x 25-position); cable length: 15 m

# VIP-3/SC/D25SUB/M - Interface module



2315133

<https://www.phoenixcontact.com/in/products/2315133>

## CABLE-D-25SUB/F/OE/0,25/S/20M - Cable

2906216

<https://www.phoenixcontact.com/in/products/2906216>



Assembled shielded round cable; connection 1: Single wires (25-position) (The wires are marked and fitted with ferrules. The braided shield is routed to a separate cable end.); connection 2: D-SUB socket strip (1x 25-position); cable length: 20 m

---

## CABLE-D-25SUB-F-OE-0,25-S/... - Cable

2900906

<https://www.phoenixcontact.com/in/products/2900906>



Assembled shielded round cable; connection 1: Single wires (25-position) (The wires are marked and fitted with ferrules. The braided shield is routed to a separate cable end.); connection 2: D-SUB socket strip (1x 25-position); cable length: variable

---

Phoenix Contact 2023 © - all rights reserved  
<https://www.phoenixcontact.com>

PHOENIX CONTACT (I) Pvt. Ltd.  
A-58/2, Okhla Industrial Area, Phase - II, New Delhi-110 020

+91.1275.71420  
[info@phoenixcontact.co.in](mailto:info@phoenixcontact.co.in)