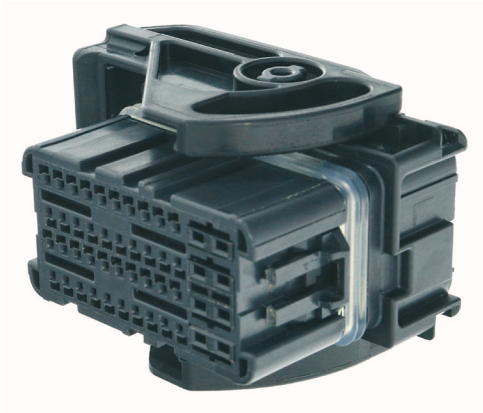


# CMC CONNECTOR

32, 48, 64, 86 ways



CMC 48 way housings connector

## PRODUCT BENEFITS

- TPA\* front holder latch for lock & unlock
- Smooth guided terminal insertion
- Polarized terminals
- Clean body terminals which do not damage the mat/block seal

## SERIES FEATURES

- High retention force
- Standard interface interchangeable with multiple suppliers
- Mat seal is pre-closed on the 0.64 mm terminal cavities
- Easy cable assembly
- First mate last break lay-out for safe connection

## TECHNICAL CHARACTERISTICS

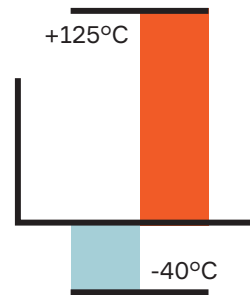
Materials	PBT
Genders	Female

## APPLICATIONS

Engine management
Gas converter
Body control

See back page for representative part numbers and packaging dimensions.

## TEMPERATURE



## VIBRATION



## WATER PROOF CLASS CAPABLE



## MATING/UNMATING CYCLES

20  
(with tin plated terminals)

## About Aptiv

Aptiv is a global technology company that develops safer, greener and more connected solutions enabling the future of mobility. Headquartered in Dublin, Aptiv has approximately 150,000 employees and operates 14 technical centers, as well as manufacturing sites and customer support centers in 45 countries.

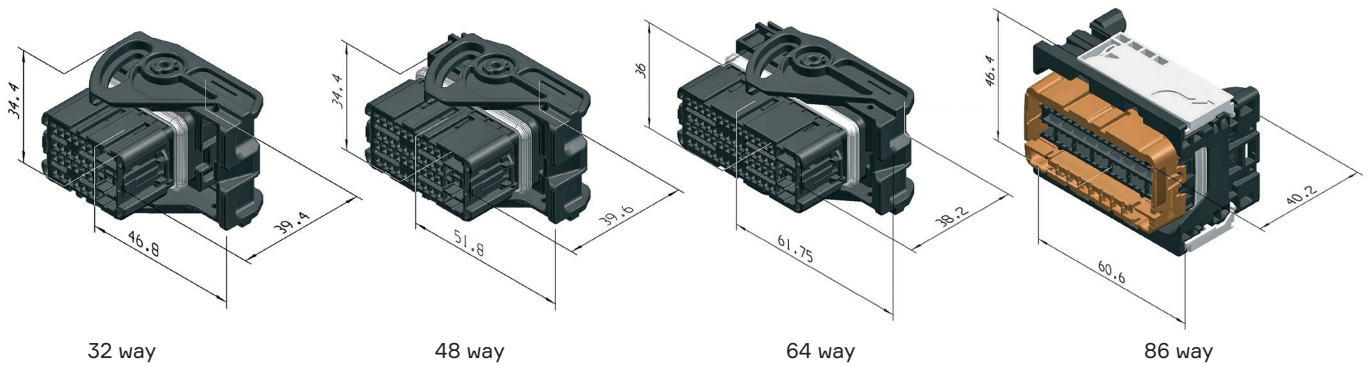
Visit [aptiv.com](http://aptiv.com)



\* Terminal position assurance

Part number	Type	Color codings	Mating cover part number			
13851306	32	Black	13851307			
13956255	48	Black	13956254	0°	33517228	45°
13648596	64	Black	13648597			
33156001	86	Brown	33121915			

### DIMENSION MEASUREMENT SAMPLE



### COMPATIBLE WITH



Part numbers, specifications, dimensions and performance data in this document are for general references only and are subject to change without notice. To verify product information, please contact a Aptiv representative.

CS-SP33-CMC-En0718

**• APTIV •**

aptiv.com | © 2018 Aptiv. All rights reserved