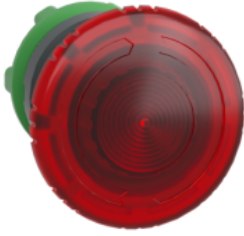


# Product data sheet

Specifications



Head for illuminated emergency switching off push button, Harmony XB5, plastic, red mushroom 40mm, 22mm, universal LED, turn to release

ZB5AW743

Product availability : Stock - Normally stocked in distribution facility

**Price\* : 63.00 USD**

## Main

Range of Product	Harmony XB5
Product or Component Type	Head for illuminated emergency switching off push-button
Device short name	ZB5
Product Compatibility	Universal LED
Bezel material	Dark grey plastic
Mounting diameter	0.87 in (22 mm)
Sale per indivisible quantity	1
Head type	Standard
Shape of signaling unit head	Round
Type of operator	latching
Reset	Turn to release
Operator profile	Red mushroom Ø 40 mm, unmarked

## Complementary

CAD overall width	1.57 in (40 mm)
CAD overall height	1.57 in (40 mm)
CAD overall depth	1.97 in (50 mm)
Product Weight	0.05 lb(US) (0.022 kg)
Resistance to high pressure washer	1015.26 psi (7000000 Pa) 131 °F (55 °C) 0.1 m
Mechanical durability	300000 cycles
Main group	Switching off
Group of product	Emer swi off illum turn to rel
Station name	XALD 1 cut-out XALK 1 cut-out
Cap/Operator or lens colour	Red
Marking	Unmarked

\* Price is "List Price" and may be subject to a trade discount – check with your local distributor or retailer for actual price.

<b>Electrical composition code</b>	M6 2 single front mounting integral LED and transformer M10 2 single front mounting integral LED MF1 2 single front mounting integral LED MR1 2 single rear mounting integral LED
------------------------------------	--

<b>Device presentation</b>	Basic sub-assemblies
----------------------------	----------------------

## Environment

<b>Protective treatment</b>	TC
-----------------------------	----

<b>Ambient Air Temperature for Storage</b>	-40...158 °F (-40...70 °C)
--	----------------------------

<b>Ambient Air Temperature for Operation</b>	-40...158 °F (-40...70 °C)
--	----------------------------

<b>Overvoltage category</b>	Class II IEC 60536
-----------------------------	--------------------

<b>IP degree of protection</b>	IP66 IEC 60529 IP69 IP69K
--------------------------------	---------------------------------

<b>NEMA degree of protection</b>	NEMA 13 NEMA 4X
----------------------------------	--------------------

<b>IK degree of protection</b>	IK05 EN 50102
--------------------------------	---------------

<b>Standards</b>	EN/IEC 60947-5-4 EN/IEC 60947-1 GB 14048.5 EN/IEC 60947-5-1 CSA C22.2 No 14 JIS C8201-5-1 UL 508 JIS C8201-1
------------------	---

<b>Product Certifications</b>	UL Listed LROS (Lloyds register of shipping) BV GL CSA DNV
-------------------------------	---

<b>Vibration resistance</b>	5 gn 2...500 Hz)IEC 60068-2-6
-----------------------------	-------------------------------

<b>Shock resistance</b>	30 gn 18 ms) half sine wave acceleration IEC 60068-2-27 50 gn 11 ms) half sine wave acceleration IEC 60068-2-27
-------------------------	--

## Ordering and shipping details

<b>Category</b>	22467-PUSHBUTTONS,22MM(PLASTIC) NEW
-----------------	-------------------------------------

<b>Discount Schedule</b>	CS2
--------------------------	-----

<b>GTIN</b>	3389110666854
-------------	---------------

<b>Returnability</b>	Yes
----------------------	-----

<b>Country of origin</b>	FR
--------------------------	----

## Packing Units

<b>Unit Type of Package 1</b>	PCE
-------------------------------	-----

<b>Number of Units in Package 1</b>	1
-------------------------------------	---

<b>Package 1 Height</b>	3.39 in (8.6 cm)
-------------------------	------------------

<b>Package 1 Width</b>	1.65 in (4.2 cm)
------------------------	------------------

<b>Package 1 Length</b>	2.13 in (5.4 cm)
-------------------------	------------------

<b>Package 1 Weight</b>	1.27 oz (36.0 g)
-------------------------	------------------

<b>Unit Type of Package 2</b>	S03
-------------------------------	-----

<b>Number of Units in Package 2</b>	120
-------------------------------------	-----

<b>Package 2 Height</b>	11.81 in (30.0 cm)
-------------------------	--------------------

<b>Package 2 Width</b>	11.81 in (30.0 cm)
------------------------	--------------------

<b>Package 2 Length</b>	15.75 in (40.0 cm)
<b>Package 2 Weight</b>	10.69 lb(US) (4.85 kg)

## Offer Sustainability

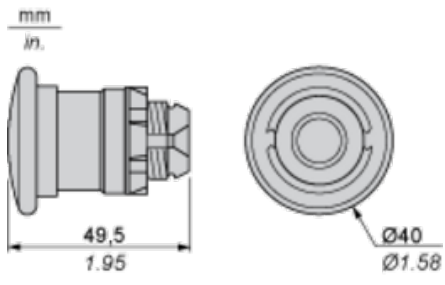
<b>Sustainable offer status</b>	Green Premium product
<b>REACH Regulation</b>	<a href="#">REACH Declaration</a>
<b>REACH free of SVHC</b>	Yes
<b>EU RoHS Directive</b>	Pro-active compliance (Product out of EU RoHS legal scope) <a href="#">EU RoHS Declaration</a>
<b>Toxic heavy metal free</b>	Yes
<b>Mercury free</b>	Yes
<b>China RoHS Regulation</b>	<a href="#">China RoHS declaration</a>
<b>RoHS exemption information</b>	Yes
<b>Environmental Disclosure</b>	<a href="#">Product Environmental Profile</a>
<b>Circularity Profile</b>	<a href="#">End of Life Information</a>

## Contractual warranty

<b>Warranty</b>	18 months
-----------------	-----------

Dimensions

---



**Panel Cut-out for Pushbuttons, Switches and Pilot Lights (Finished Holes, Ready for Installation)**

**Connection by Screw Clamp Terminals or Plug-in Connectors or on Printed Circuit Board**



- (1) Diameter on finished panel or support
- (2) For selector switches and Emergency stop buttons, use of an anti-rotation plate type ZB5AZ902 is recommended.
- (3)  $\varnothing 22.5$  mm recommended ( $\varnothing 22.3 \text{ }_0^{+0.4}$ ) /  $\varnothing 0.89$  in. recommended ( $\varnothing 0.88 \text{ in. }_0^{+0.016}$ )

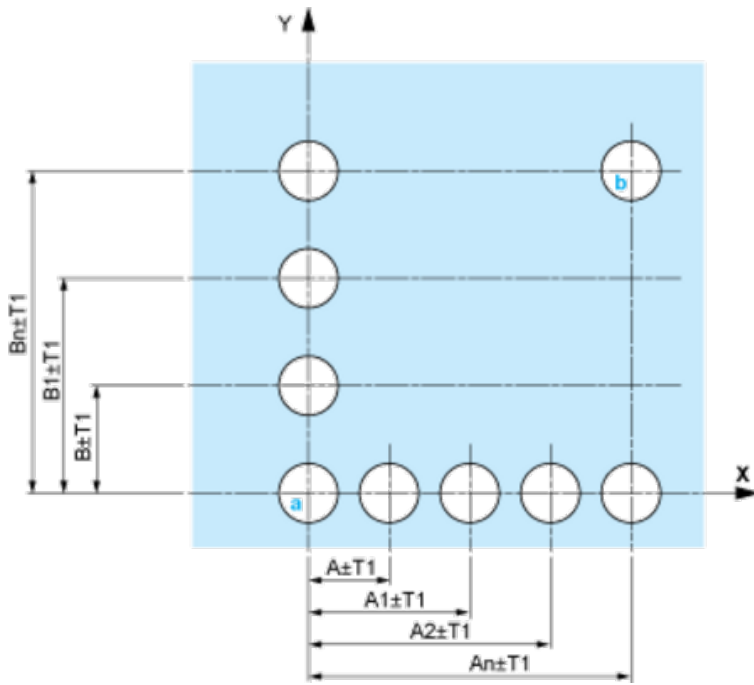
Connections	a in mm	a in in.	b in mm	b in in.
By screw clamp terminals or plug-in connector	40	1.57	30	1.18
By Faston connectors	45	1.77	32	1.26
On printed circuit board	30	1.18	30	1.18

**Detail of Lug Recess**



- (1) Diameter on finished panel or support
- (2) For selector switches and Emergency stop buttons, use of an anti-rotation plate type ZB5AZ902 is recommended.
- (3)  $\varnothing 22.5$  mm recommended ( $\varnothing 22.3 \text{ }_0^{+0.4}$ ) /  $\varnothing 0.89$  in. recommended ( $\varnothing 0.88 \text{ in. }_0^{+0.016}$ )

Panel Cut-outs (Viewed from Installer's Side)

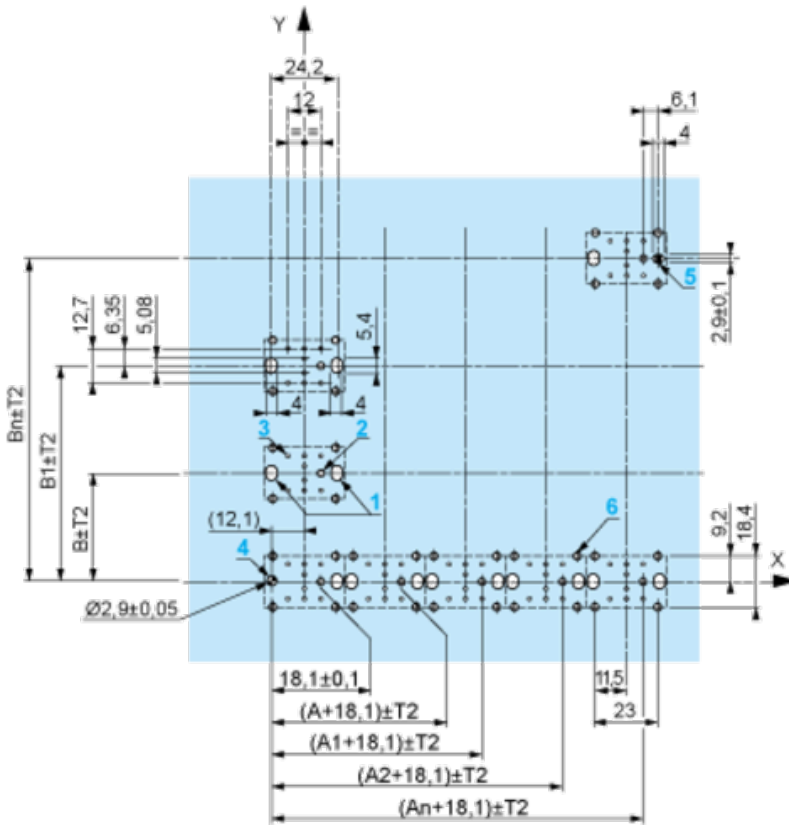


A: 30 mm min. / 1.18 in. min.

B: 40 mm min. / 1.57 in. min.

Printed Circuit Board Cut-outs (Viewed from Electrical Block Side)

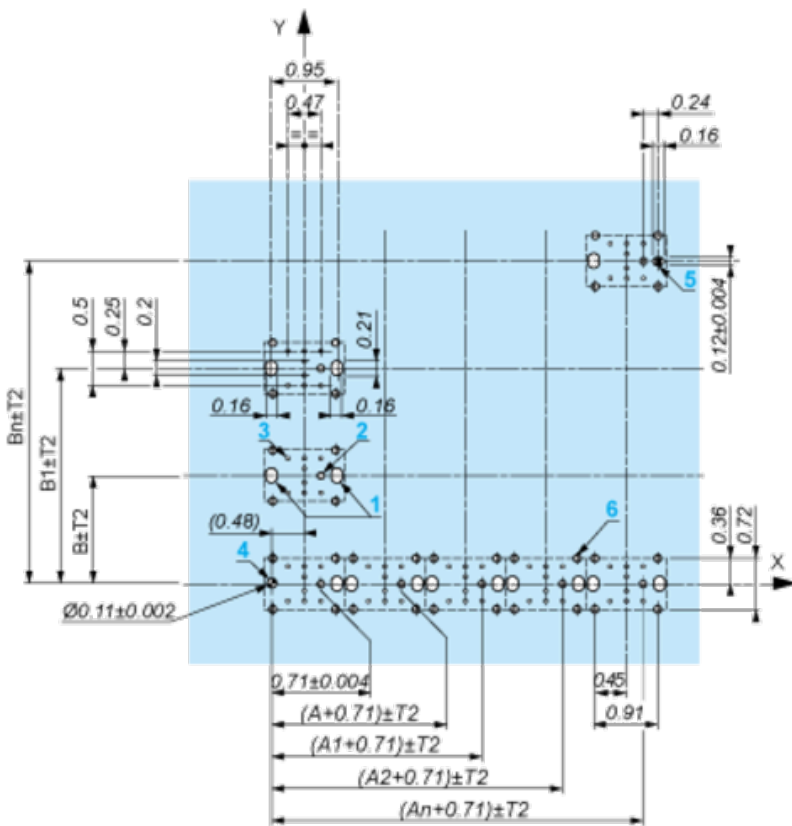
Dimensions in mm



A: 30 mm min.

B: 40 mm min.

Dimensions in in.



A: 1.18 in. min.  
 B: 1.57 in. min.

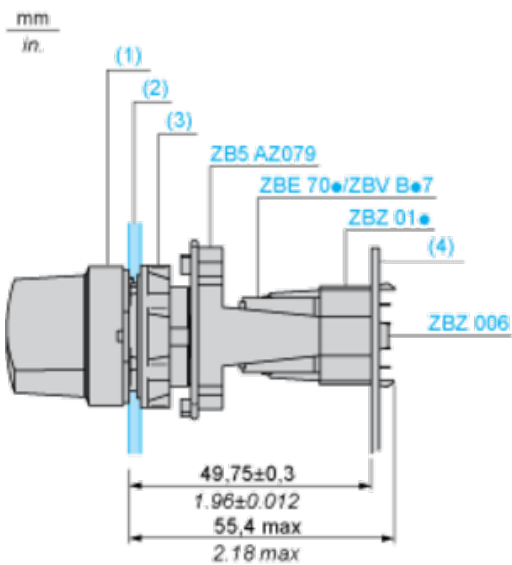
### General Tolerances of the Panel and Printed Circuit Board

The cumulative tolerance must not exceed 0.3 mm / 0.012 in.:  $T1 + T2 = 0.3 \text{ mm max.}$

### Installation Precautions

- Minimum thickness of circuit board: 1.6 mm / 0.06 in.
- Cut-out diameter: 22.4 mm  $\pm$  0.1 / 0.88 in.  $\pm$  0.004
- Orientation of body/fixing collar ZB5AZ009:  $\pm 2^\circ 30'$  (excluding cut-outs marked **a** and **b**).
- Tightening torque of screws ZBZ006: 0.6 N.m (5.3 lbf.in) max.
- Allow for one ZB5AZ079 fixing collar/pillar and its fixing screws:
  - every 90 mm / 3.54 in. horizontally (X), and 120 mm / 4.72 in. vertically (Y).
  - with each selector switch head (ZB5AD•, ZB5AJ•, ZB5AG•).

The fixing centers marked **a** and **b** are diagonally opposed and must align with those marked 4 and 5.



- (1) Head ZB5AD•
- (2) Panel
- (2) Nut
- (4) Printed circuit board

## Mounting of Adapter (Socket) ZBZ01•

- 1 2 elongated holes for ZBZ006 screw access
- 2 1 hole  $\varnothing$  2.4 mm  $\pm$  0.05 / 0.09 in.  $\pm$  0.002 for centring adapter ZBZ01•
- 3 8  $\times$   $\varnothing$  1.2 mm / 0.05 in. holes
- 4 1 hole  $\varnothing$  2.9 mm  $\pm$  0.05 / 0.11 in.  $\pm$  0.002, for aligning the printed circuit board (with cut-out marked **a**)
- 5 1 elongated hole for aligning the printed circuit board (with cut-out marked **b**)
- 6 4 holes  $\varnothing$  2.4 mm / 0.09 in. for clipping in adapter ZBZ01•

Dimensions An + 18.1 relate to the  $\varnothing$  2.4 mm  $\pm$  0.05 / 0.09 in.  $\pm$  0.002 holes for centring adapter ZBZ01•.



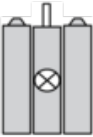
**Electrical Composition Corresponding to Codes M6 and P2**

---



**Electrical Composition Corresponding to Codes M5, M10, MF1, MR1 and MF2**

---



**Legend**

---

Single contact



Double contact



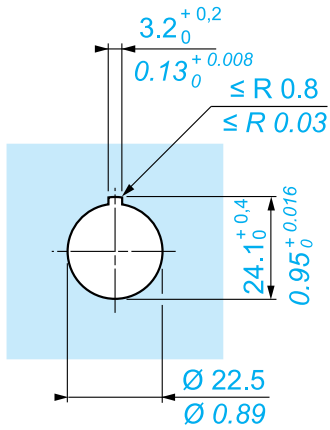
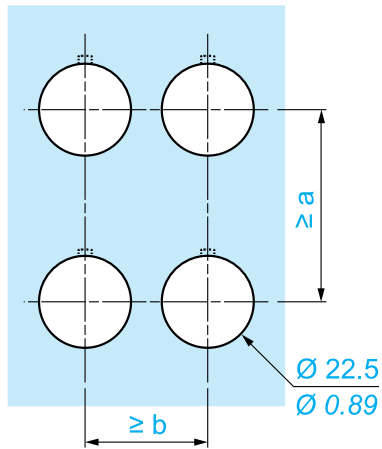
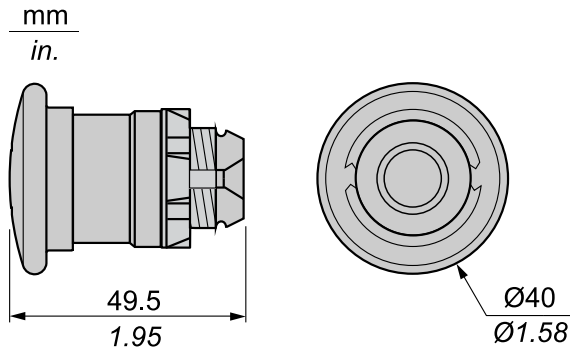
Light block

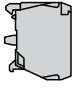
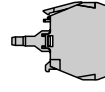
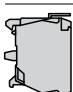
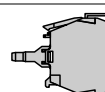
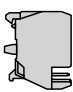
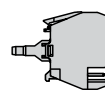

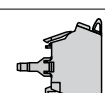
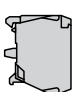
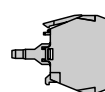
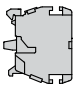
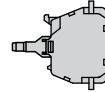


Possible location



**Dimensions**



		a (mm)	a (in.)	b (mm)	b (in.)
		40	1.57	30	1.18
ZBE●●●●●	ZBV●●●●●				
		45	1.77	32	1.26
ZBE●●●●●3	ZBV●●●●●3				
		40	1.57	30	1.18
ZBE●●●●●4	ZBV●●●●●4				
		50	1.97	30	1.18
ZBE●●●●●5	ZBV●●●●●5				
		40	1.57	30	1.18
ZBE●●●●●9	ZBV●●●●●9				
		40	1.57	30	1.18
ZBRT●	ZBRV1				

**Recommended replacement(s)**