

HC-B-G-M20-PLRBK - Cable gland



1407669

<https://www.phoenixcontact.com/in/products/1407669>

Please be informed that the data shown in this PDF document is generated from our Online Catalog. Please find the complete data in the user documentation. Our General Terms of Use for Downloads are valid.



EVO plastic cable gland with bayonet locking, for housing series B, size M20, cable diameter: 7 mm ... 13 mm

Commercial Data

Item number	1407669
Packing unit	1 pc
Minimum order quantity	1 pc
Sales Key	BF7
Product Key	BF7APL
Catalog Page	Page 604 (C-2-2019)
GTIN	4046356776370
Weight per Piece (including packing)	34.6 g
Weight per Piece (excluding packing)	32.343 g
Customs tariff number	39269097
Country of origin	PL

HC-B-G-M20-PLRBK - Cable gland

1407669

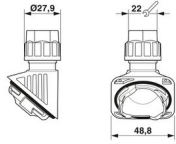
<https://www.phoenixcontact.com/in/products/1407669>

Technical Data

Product properties

Product type	Cable screw gland
No. of conductors	1
Type of the screw connection	M20
Shielded	no

Dimensions

Dimensional drawing	
Width	48.7 mm
Height	59 mm
Depth	60.5 mm
Wrench size, union nut	22 mm

Material specifications

Color	black
Flammability rating according to UL 94	V0 (Seal) V2 (Housing)
Seal material O-ring	NBR
Seal material Cable seal	NBR
Material for screw connection	PA
Material (GRP)	PA

Cable/line

External cable diameter	7 mm ... 13 mm
Tightening torque, union nut	5.00 Nm

Mechanical properties

Mechanical data

Type of the screw connection	M20
------------------------------	-----

Environmental and real-life conditions

Ambient conditions

Degree of protection	IP66 12 (UL 50e)
Ambient temperature (operation)	-40 °C ... 100 °C

Mounting

HC-B-G-M20-PLRBK - Cable gland

1407669

<https://www.phoenixcontact.com/in/products/1407669>



Assembly instructions

Bayonet locking max. 3x can be removed

HC-B-G-M20-PLRBK - Cable gland

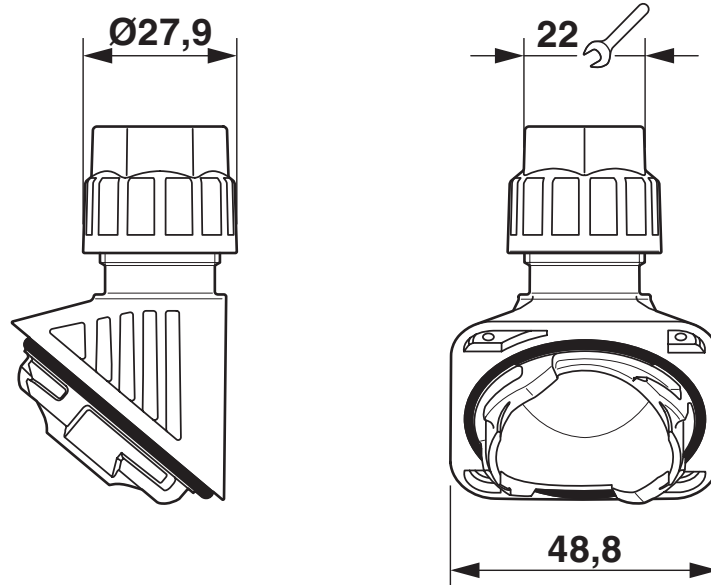
1407669

<https://www.phoenixcontact.com/in/products/1407669>



Drawings

Dimensional drawing



Dimensional drawing

HC-B-G-M20-PLRBK - Cable gland



1407669

<https://www.phoenixcontact.com/in/products/1407669>

Approvals

To download certificates, visit the product detail page: <https://www.phoenixcontact.com/in/products/1407669>



cUL Recognized

Approval ID: E255026



UL Recognized

Approval ID: E255026



EAC

Approval ID: RU C-DE.AI30.B.01102



EAC-RoHS

Approval ID: RU D-DE.HB35.B.00387

HC-B-G-M20-PLRBK - Cable gland



1407669

<https://www.phoenixcontact.com/in/products/1407669>

Classifications

ECLASS

ECLASS-11.0	27144432
ECLASS-12.0	27140801
ECLASS-13.0	27140801

ETIM

ETIM 8.0	EC000441
----------	----------

UNSPSC

UNSPSC 21.0	39121300
-------------	----------

HC-B-G-M20-PLRBK - Cable gland

1407669

<https://www.phoenixcontact.com/in/products/1407669>



Environmental Product Compliance

China RoHS	Environmentally friendly use period: unlimited = EFUP-e
	No hazardous substances above threshold values

HC-B-G-M20-PLRBK - Cable gland

1407669

<https://www.phoenixcontact.com/in/products/1407669>



Accessories

WP-GR HF CTA M20 BK - Corrugated tube screw connection

3241220

<https://www.phoenixcontact.com/in/products/3241220>



Corrugated pipe adapter, with M20 internal thread, straight, black, IP66, for connecting corrugated pipes to HEAVYCON EVO plastic cable glands or ADVANCE plastic housing.

SEALING PLUG 12X22 RD - Closing cap

1400260

<https://www.phoenixcontact.com/in/products/1400260>



Closing cap, color: red

Phoenix Contact 2023 © - all rights reserved

<https://www.phoenixcontact.com>

PHOENIX CONTACT (I) Pvt. Ltd.

A-58/2, Okhla Industrial Area, Phase - II, New Delhi-110 020

+91.1275.71420

info@phoenixcontact.co.in