

C-RCI 2,5/M6 - Ring cable lug

3240025

<https://www.phoenixcontact.com/in/products/3240025>

Please be informed that the data shown in this PDF document is generated from our Online Catalog. Please find the complete data in the user documentation. Our General Terms of Use for Downloads are valid.



Ring cable lug, blue, 1.5 ... 2.5 mm², M6

Commercial Data

| | |
|--------------------------------------|---------------------|
| Item number | 3240025 |
| Packing unit | 50 pc |
| Minimum order quantity | 50 pc |
| Sales Key | BH3 |
| Product Key | BH3421 |
| Catalog Page | Page 492 (C-3-2019) |
| GTIN | 4046356452021 |
| Weight per Piece (including packing) | 1.25 g |
| Weight per Piece (excluding packing) | 1.243 g |
| Customs tariff number | 85369010 |
| Country of origin | CN |

C-RCI 2,5/M6 - Ring cable lug

3240025

<https://www.phoenixcontact.com/in/products/3240025>

Technical Data

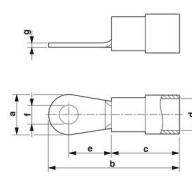
Product properties

| | |
|--------------|-----------|
| Product type | Connector |
|--------------|-----------|

Electrical properties

| | |
|------|-----|
| Fuse | yes |
|------|-----|

Dimensions

| | |
|--|--|
| Dimensional drawing |  |
| Width | 12 mm |
| Length | 28.1 mm |
| Length of the insulating material sleeve | 11 mm |
| Maximum stripping length | 8 mm |
| Distance from the center to the insulating material sleeve | 11 mm |
| Min. material thickness | 0.8 mm |
| Inner dimensions of the insulating collar | 4.5 mm |

Internal dimensions

| | |
|-------------------|--------|
| Internal diameter | 6.5 mm |
|-------------------|--------|

Material specifications

| | |
|--|--------------|
| Color | blue |
| Material | Copper |
| Flammability rating according to UL 94 | V2 |
| Coating | tin-plated |
| Insulating material | PA |
| Components | halogen-free |

Environmental and real-life conditions

Ambient conditions

| | |
|---|---|
| Optimum ambient temperature (storage/transport) | 20 °C 50 % Humidity (RH), store inside sealed original packaging. Avoid direct sunlight and heat. |
| Ambient temperature (operation) | -20 °C ... 105 °C |
| Ambient temperature (assembly) | -20 °C ... 100 °C |
| Short-term temperature | 100 °C |

Standards and regulations

| | |
|------------------------------|--------------|
| Design according to standard | JIS, UL, CSA |
|------------------------------|--------------|

C-RCI 2,5/M6 - Ring cable lug

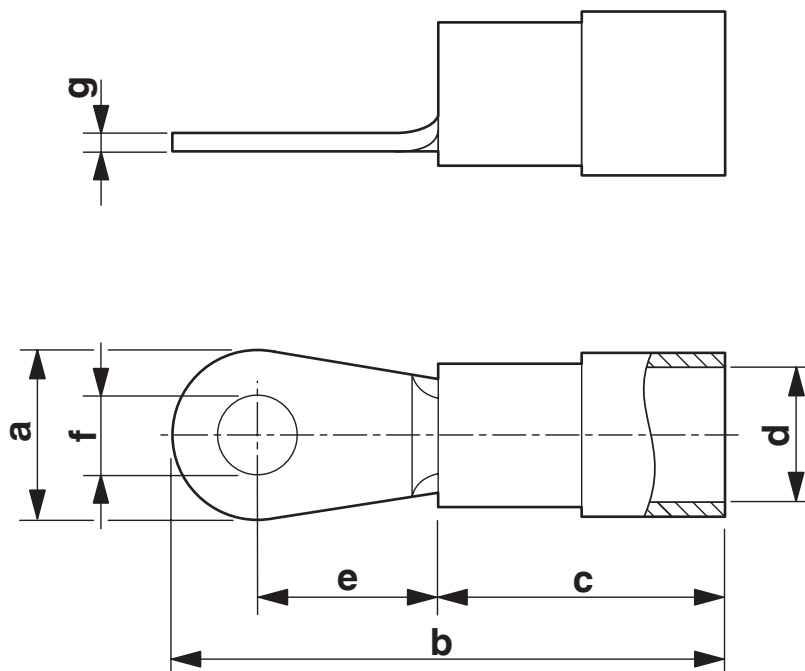
3240025

<https://www.phoenixcontact.com/in/products/3240025>



Drawings

Dimensional drawing



C-RCI 2,5/M6 - Ring cable lug

3240025

<https://www.phoenixcontact.com/in/products/3240025>



Classifications

ECLASS

| | |
|-------------|----------|
| ECLASS-11.0 | 27400204 |
| ECLASS-13.0 | 27400204 |
| ECLASS-12.0 | 27400204 |

ETIM

| | |
|----------|----------|
| ETIM 8.0 | EC001052 |
|----------|----------|

UNSPSC

| | |
|-------------|----------|
| UNSPSC 21.0 | 27121700 |
|-------------|----------|

C-RCI 2,5/M6 - Ring cable lug

3240025

<https://www.phoenixcontact.com/in/products/3240025>



Environmental Product Compliance

| | |
|------------|---|
| China RoHS | Environmentally friendly use period: unlimited = EFUP-e |
| | No hazardous substances above threshold values |

Phoenix Contact 2023 © - all rights reserved
<https://www.phoenixcontact.com>

PHOENIX CONTACT (I) Pvt. Ltd.
A-58/2, Okhla Industrial Area, Phase - II, New Delhi-110 020

+91.1275.71420
info@phoenixcontact.co.in