

VIP-2/SC/HD15SUB/F - Interface module



2322401

<https://www.phoenixcontact.com/in/products/2322401>

Please be informed that the data shown in this PDF document is generated from our Online Catalog. Please find the complete data in the user documentation. Our General Terms of Use for Downloads are valid.

VARIOFACE module, with screw connection and high density D-Subminiature female connector, for mounting on NS 35, no. of pos.: 15, width: 44.9 mm



Your advantages

- Screw connection
- 1:1 connection

Commercial Data

Item number	2322401
Packing unit	1 pc
Minimum order quantity	1 pc
Sales Key	CK2
Product Key	CK2451
Catalog Page	Page 558 (C-5-2019)
GTIN	4046356451703
Weight per Piece (including packing)	105.6 g
Weight per Piece (excluding packing)	105.6 g
Customs tariff number	85366990
Country of origin	US

VIP-2/SC/HD15SUB/F - Interface module



2322401

<https://www.phoenixcontact.com/in/products/2322401>

Technical Data

Product properties

Product type	Interface module
Product family	VARIOFACE Professional
Number of positions	15

Electrical properties

Nominal voltage U_N	25 V AC
	60 V DC
Max. current carrying capacity per branch	1 A

Connection data

Field level

Connection in acc. with standard	IEC / EN
Connection method	Screw connection
Stripping length	8 mm
Screw thread	M3
Number of positions	15
Conductor cross section rigid	0.2 mm ² ... 4 mm ²
Conductor cross section flexible	0.2 mm ² ... 2.5 mm ²
Conductor cross section AWG	24 ... 12

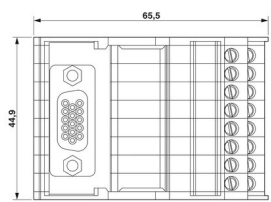
Controller level

Connection method	High-density D-SUB socket strip
Number of connections	1
Number of positions	15

Signaling

Status display	No
Status display present	No

Dimensions

Dimensional drawing	
Width	44.9 mm
Height	65.5 mm
Depth	45.1 mm

VIP-2/SC/HD15SUB/F - Interface module



2322401

<https://www.phoenixcontact.com/in/products/2322401>

Material specifications

Housing insulation material	Polyamide PA non-reinforced
-----------------------------	-----------------------------

Environmental and real-life conditions

Ambient conditions

Ambient temperature (operation)	-20 °C ... 50 °C
Ambient temperature (storage/transport)	-20 °C ... 70 °C

Standards and regulations

Standards/regulations	EN 50178
-----------------------	----------

Mounting

Mounting type	DIN rail mounting
Mounting position	any

VIP-2/SC/HD15SUB/F - Interface module

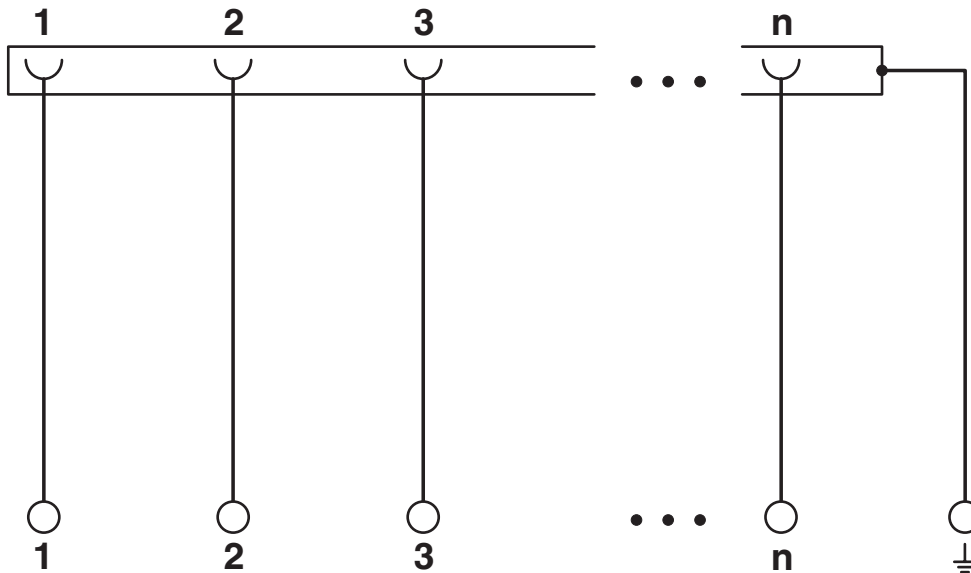


2322401

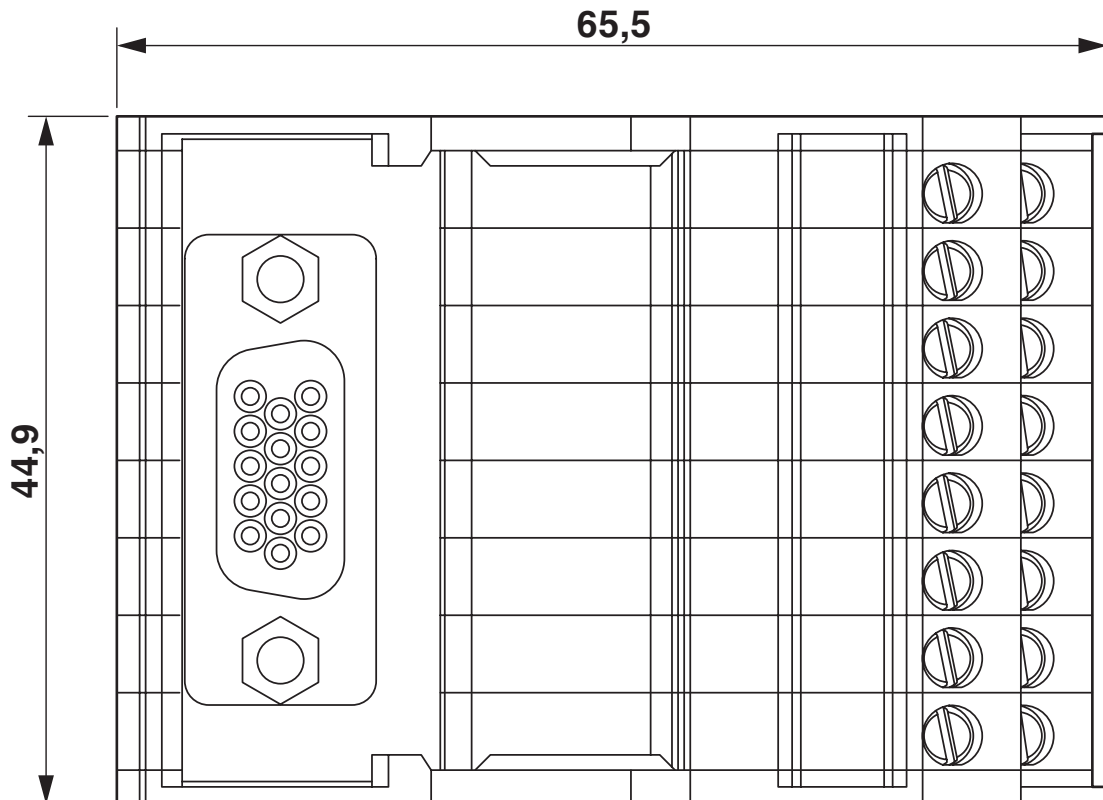
<https://www.phoenixcontact.com/in/products/2322401>

Drawings

Circuit diagram



Dimensional drawing



VIP-2/SC/HD15SUB/F - Interface module



2322401

<https://www.phoenixcontact.com/in/products/2322401>

Approvals

 cUL Recognized Approval ID: FILE E 238705	Nominal Voltage U_N	Nominal Current I_N	Cross Section AWG	Cross Section mm^2
	125 V	1 A	30 - 12	-

 UL Recognized Approval ID: FILE E 238705	Nominal Voltage U_N	Nominal Current I_N	Cross Section AWG	Cross Section mm^2
	125 V	1 A	30 - 12	-

 EAC Approval ID: RU C-DE.A*30.B.01742

VIP-2/SC/HD15SUB/F - Interface module



2322401

<https://www.phoenixcontact.com/in/products/2322401>

Classifications

ECLASS

ECLASS-11.0	27141152
ECLASS-12.0	27141152
ECLASS-13.0	27141152

ETIM

ETIM 8.0	EC002780
----------	----------

UNSPSC

UNSPSC 21.0	39121400
-------------	----------

VIP-2/SC/HD15SUB/F - Interface module



2322401

<https://www.phoenixcontact.com/in/products/2322401>

Environmental Product Compliance

REACH SVHC	Lead 7439-92-1
China RoHS	Environmentally Friendly Use Period = 50 years
	For information on hazardous substances, refer to the manufacturer's declaration available under "Downloads"

Phoenix Contact 2023 © - all rights reserved

<https://www.phoenixcontact.com>

PHOENIX CONTACT (I) Pvt. Ltd.

A-58/2, Okhla Industrial Area, Phase - II, New Delhi-110 020

+91.1275.71420

info@phoenixcontact.co.in