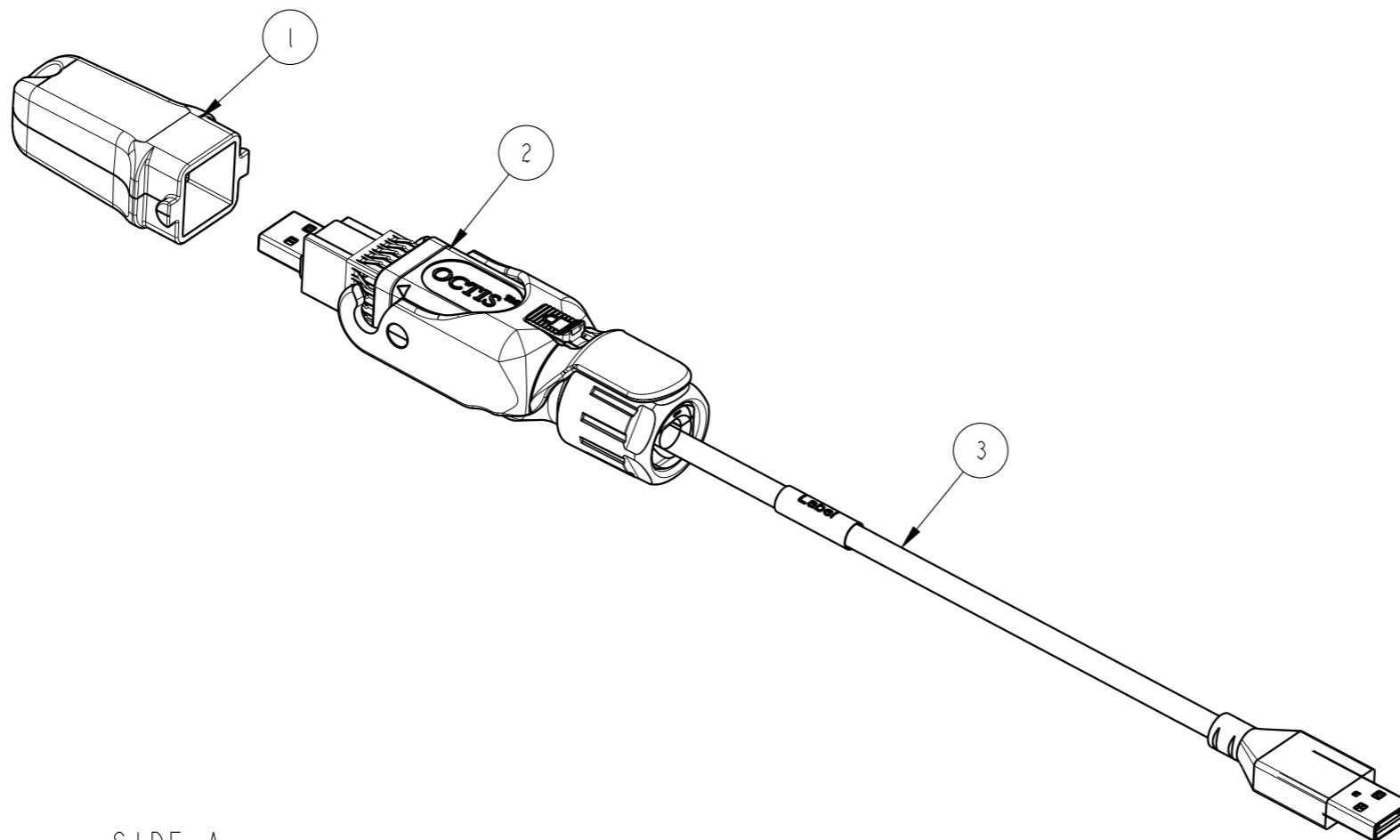
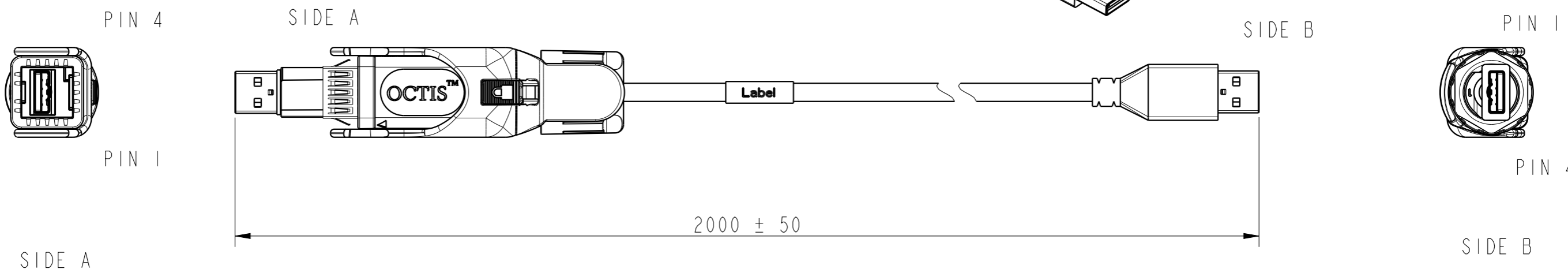


PART NUMBER
10159556-L2000LF

OCTIS USB2.0 TYPE A PLUG CABLE ASSEMBLY

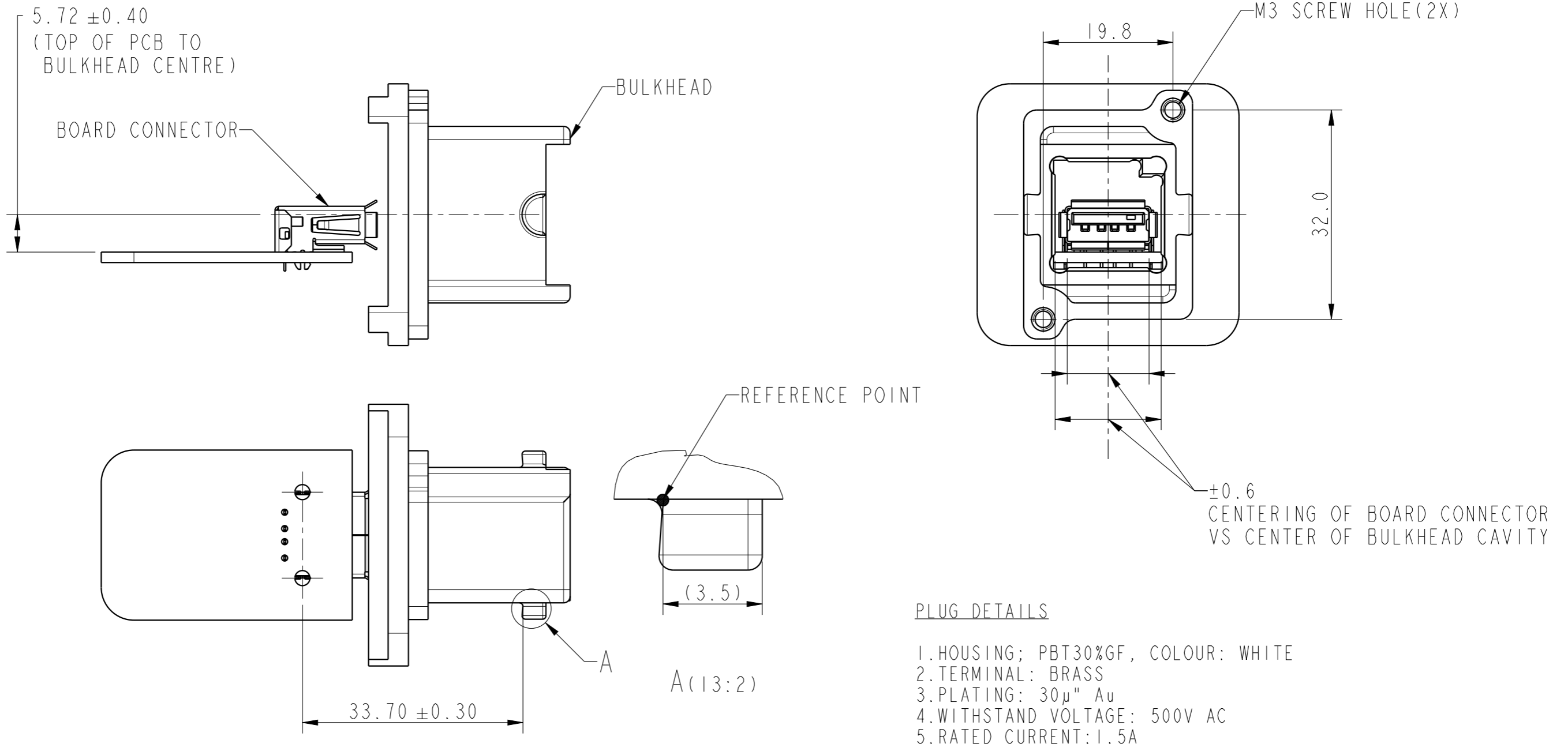


SL NO	ITEM DESCRIPTION
1	PLUG CAP
2	PLUG KIT ASSEMBLY
3	CABLE



spec ref	dr	Varghese, Bone	2020/10/21	projection	MM	size	A3	scale	3:10
tolerance std	eng	Ajith James	2020/10/21			ecn no		-	
ISO 406 ISO 1101	chr	-	-			rel level		Released	
surface	appr	Kuriakose, San	2020/10/21	product family	OCTIS	dwg no		10159556	rev
ISO 1302				OCTIS USB 2.0 TYPE A PLUG KIT				A	
linear				OCTIS 26MM PITCH		cat. no.		-	Product - Customer Drw
angular						sheet 1 of 2			

BOARD CONNECTOR WITH BULK HEAD DETAILS



PLUG DETAILS

1. HOUSING; PBT30%GF, COLOUR: WHITE
2. TERMINAL: BRASS
3. PLATING: 30µ" Au
4. WITHSTAND VOLTAGE: 500V AC
5. RATED CURRENT: 1.5A

CABLE DETAILS

1. 1P*28AWG +2C*20AWG +AL.MYLAR+DRAIN+BRAID
2. TINNED COPPER
3. INSULATION: HD-PE AND SR-PVC
4. OUTER JACKET: HALF MATT PVC COLOUR: BLACK, OD: 4.8±0.2MM

NOTES:

1. RECOMMENDED BOARD CONNECTOR: REFER DRAWING 10158276
2. REFER DRAWING 10157693 FOR BULK HEAD DETAILS
3. UNLESS OTHERWISE SPECIFIED, LABEL CONTENT SHALL CONTAINS:
 - AMPHENOL FCI PART NUMBER
 - LOT CODE
 - COUNTRY OF ORGIN

spec ref		dr	Varghese, Bone	2020/10/21	projection	MM	size	A3	scale	3:10	
tolerance std		eng	Ajith James	2020/10/21			ecn no		-		
ISO 406 ISO 1101		chr	-	-			rel level		Released		
TOLERANCES UNLESS OTHERWISE SPECIFIED		appr	Kuriakose, San	2020/10/21	product family		OCTIS		-		
surface	linear	0.X	±0.3	Amphenol FCI	OCTIS USB 2.0 TYPE A PLUG KIT		dwg no	10159556		rev	A
		0.XX	±0.13		OCTIS 26MM PITCH						
	angular	0°	±°		cat. no.	-		Product - Customer Drw		sheet 2 of 2	