

# Product datasheet

Specifications



7" wide screen touch panel, 16M colors, COM x 2, USB device, RTC, DC24V

HMIET6401

## Main

|                           |                      |
|---------------------------|----------------------|
| Range of product          | Easy Harmony ET6     |
| Product or component type | Touch panel screen   |
| Software designation      | Vijeo Designer Basic |
| Operating system          | VxWorks              |
| Processor name            | ARM Cortex-A8        |

## Complementary

|                            |   |
|----------------------------|---|
| Display size               | 7 inch  |
| Display type               | Colour TFT LCD  |
| Display colour             | 16 million colours  |
| Display resolution         | 800 x 480 pixels WVGA   |
| Touch panel                | Single touch analogue resistive   |
| Brightness                 | 16 levels   |
| Character font             | ASCII<br>ASCII (European characters)<br>Chinese (simplified Chinese)<br>Japanese (ANK, Kanji)<br>Katakana<br>Korean<br>Taiwanese (traditional Chinese)  |
| [Us] rated supply voltage  | 24 V DC +/- 20 %  |
| Inrush current             | 30 A  |
| Local signalling           | Status LED green, steady for operating<br>Status LED orange, steady for software starting up<br>Status LED red, steady for power supply (ON)<br>Status LED, off for power supply (OFF)  |
| Power consumption in W     | 9 W   |
| Number of pages            | 200 application pages   |
| Processor frequency        | 800 MHz   |
| Memory description         | Device memory 256 MB<br>User data memory 256 MB<br>Backup memory 128 kB   |
| Integrated connection type | 1 COM1 serial link - 1 SUB-D 9-pin male - RS232C (rate: 2400...115200 bps)bottom<br>1 COM2 serial link - 1 SUB-D 9-pin male - RS422/RS485 (rate: 2400...115200 bps)bottom<br>COM2 serial link (rate: 2400...187500 bps)bottom<br>1 USB 2.0 type micro Bback |
| Supply                     | External supply   |

|                               |   |
|-------------------------------|---|
| <b>Realtime clock</b>         | Built-in 0...50 °C<br>Built-in 10...90 % RH     |
| <b>Downloadable protocols</b> | Modbus<br>Uni-TE<br>Third party protocols       |
| <b>Product brand</b>          | Schneider Electric                              |
| <b>Fixing mode</b>            | By 4 screws, mounting on 1.6...5 mm thick panel |
| <b>Cut-out dimensions</b>     | 190 x 135 mm panel cut dimension                |
| <b>Height</b>                 | 151 mm  |
| <b>Width</b>                  | 206 mm  |
| <b>Depth</b>                  | 45 mm   |
| <b>Net weight</b>             | 0.60 kg   |

## Environment

|  |  |
|--|--|
| <b>Immunity to microbreaks</b>               | 5 ms   |
| <b>Enclosure material</b>                    | PC   |
| <b>Front material</b>                        | Plastic  |
| <b>Standards</b>                             | EN 61000-6-4<br>EN 61000-6-2<br>EN 61131-2<br>UL 61010-2-201<br>CSA C22.2 No 61010-1-201   |
| <b>Product certifications</b>                | CE<br>UL<br>EAC (pending)<br>KC-Mark (pending)   |
| <b>Directives</b>                            | 2014/35/EU - low voltage directive<br>2014/30/EU - electromagnetic compatibility   |
| <b>Ambient air temperature for operation</b> | 0...50 °C  |
| <b>Ambient air temperature for storage</b>   | -20...60 °C  |
| <b>Relative humidity</b>                     | 10...90 % non-condensing   |
| <b>Operating altitude</b>                    | 2000 m   |
| <b>IP degree of protection</b>               | IP20 (rear panel) conforming to IEC 61131-2<br>IP65 (front panel) conforming to IEC 61131-2  |
| <b>Shock resistance</b>                      | 147 m/s <sup>2</sup> for 11 ms (X, Y, Z directions for 3 times) conforming to EN/IEC 61131-2   |
| <b>Vibration resistance</b>                  | +/- 3.5 mm (f = 5...9 Hz) X, Y, Z directions for 10 cycles (approx. 100 min) conforming to EN/IEC 61131-2<br>9.8 m/s <sup>2</sup> (f = 9...150 Hz)   |
| <b>Electromagnetic compatibility</b>         | Electrical fast transient/burst immunity test - test level: 2 kV (power ports) conforming to IEC 61000-4-4<br>Electrical fast transient/burst immunity test - test level: 1 kV (signal ports)<br>Electrostatic discharge immunity test - test level: 6 kV (contact discharge) conforming to EN/IEC 61000-4-2 level 3<br>Electrostatic discharge immunity test - test level: 8 kV (air discharge) |

## Packing Units

|                                     |         |
|-------------------------------------|---------|
| <b>Unit Type of Package 1</b>       | PCE     |
| <b>Number of Units in Package 1</b> | 1       |
| <b>Package 1 Height</b>             | 8.9 cm  |
| <b>Package 1 Width</b>              | 18.8 cm |
| <b>Package 1 Length</b>             | 28.3 cm |
| <b>Package 1 Weight</b>             | 889.0 g |
| <b>Unit Type of Package 2</b>       | S03     |

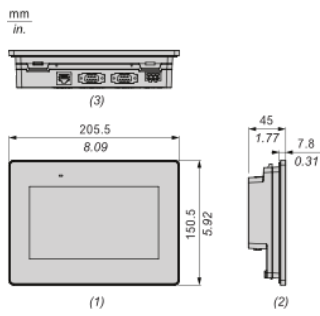
|                                     |          |
|-------------------------------------|----------|
| <b>Number of Units in Package 2</b> | 6        |
| <b>Package 2 Height</b>             | 30.0 cm  |
| <b>Package 2 Width</b>              | 30.0 cm  |
| <b>Package 2 Length</b>             | 40.0 cm  |
| <b>Package 2 Weight</b>             | 6.073 kg |

## Offer Sustainability

|                                   |   |
|-----------------------------------|---|
| <b>Sustainable offer status</b>   | Green Premium product   |
| <b>REACH Regulation</b>           | <a href="#">REACH Declaration</a>   |
| <b>EU RoHS Directive</b>          | Compliant<br><a href="#">EU RoHS Declaration</a>  |
| <b>Mercury free</b>               | Yes   |
| <b>China RoHS Regulation</b>      | <a href="#">China RoHS declaration</a>  |
| <b>RoHS exemption information</b> | Yes   |
| <b>Environmental Disclosure</b>   | <a href="#">Product Environmental Profile</a>   |
| <b>Circularity Profile</b>        | <a href="#">End of Life Information</a>   |
| <b>WEEE</b>                       | The product must be disposed on European Union markets following specific waste collection and never end up in rubbish bins |

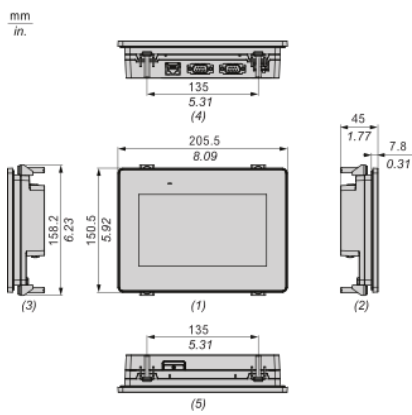
**Dimensions**

**External Dimensions**



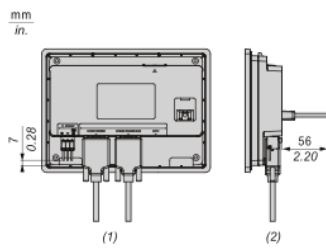
- (1): Front
- (2): Left
- (3): Bottom

**Dimensions with Installation Fasteners**



- (1): Front
- (2): Left
- (3): Right
- (4): Bottom
- (5): Top

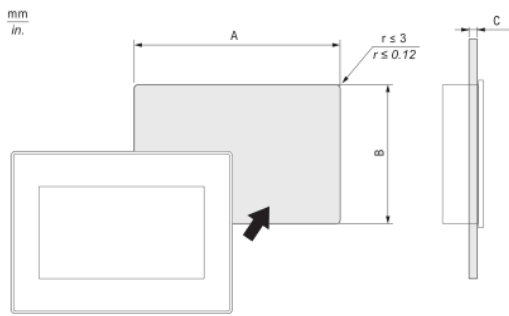
**Dimensions with Cables**



- (1): Back
- (2): Left

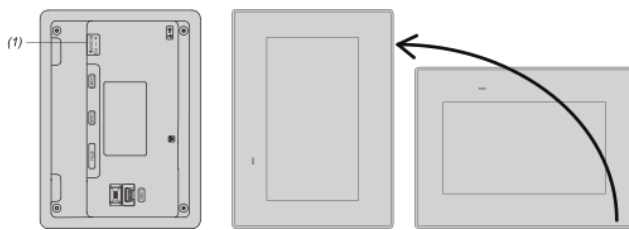
**Mounting**

**Panel Cut Dimension**



| A            |                  | B            |                  | C       |            |
|--------------|------------------|--------------|------------------|---------|------------|
| mm           | in.              | mm           | in.              | mm      | in.        |
| 190 (+1, -0) | 7.48 (+0.04, -0) | 135 (+1, -0) | 5.31 (+0.04, -0) | 1.6...5 | 0.06...0.2 |

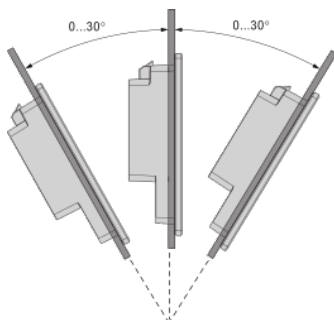
**Mounting Orientation**



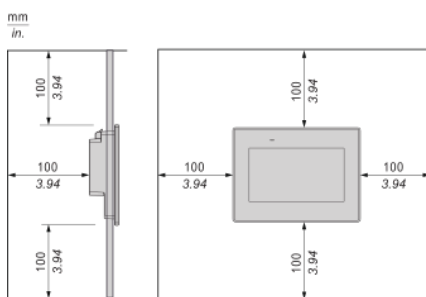
(1): Power connector

**Note:** For portrait orientation mounting, make sure the screen editing software supports the function.

**Mounting Angle**



**Clearance**



**Recommended replacement(s)**