

# Product data sheet

Specifications



## Selector switch, Harmony XB6, black square, 16mm, 2 positions, stay put, 1NO + 1NC

XB6CD225B

### Main

Range of product	Harmony XB6
Product or component type	Complete selector switch
Device short name	XB6
Bezel material	Plastic
Mounting diameter	16 mm
Sale per indivisible quantity	1
Operating position	Any position
Shape of signaling unit head	Square
Type of operator	stay put
Operator profile	Black standard handle
Operator position information	2 positions 60°
Contacts type and composition	1 NO + 1 NC
Contact operation	Slow-break

### Complementary

Height	18 mm
Width	18 mm
Depth	68 mm
Terminals description ISO n°1	(21-22)NC (13-14)NO
Net weight	0.024 kg
Positive opening	With conforming to EN/IEC 60947-5-1 appendix K
Mechanical durability	500000 cycles
Connections - terminals	Faston connectors, connection size: 2.8 x 0.5 mm
Contacts material	Silver alloy (Ag/Ni)
Short-circuit protection	6 A cartridge fuse type gG
[Ui] rated insulation voltage	250 V (pollution degree 3) conforming to EN/IEC 60947-1
[Uimp] rated impulse withstand voltage	4 kV conforming to EN/IEC 60947-1
[Ie] rated operational current	3 A at 120 V, AC-15, B300 conforming to EN/IEC 60947-5-1 1.5 A at 240 V, AC-15, B300 conforming to EN/IEC 60947-5-1

0.1 A at 250 V, DC-13, R300 conforming to EN/IEC 60947-5-1  
 0.22 A at 125 V, DC-13, R300 conforming to EN/IEC 60947-5-1

<b>Electrical durability</b>	1000000 cycles, AC-15 at 230 V, operating rate <3600 cyc/h, load factor: 0.5 conforming to EN/IEC 60947-5-1 appendix C 1000000 cycles, DC-13 at 230 V, operating rate <3600 cyc/h, load factor: 0.5 conforming to EN/IEC 60947-5-1 appendix C
------------------------------	--

<b>Electrical reliability</b>	$\Lambda = 10\exp(-8)$ at 5 V and 1 mA with confidence level of 90 % conforming to EN 60947-5-4
-------------------------------	---

## Environment

<b>Protective treatment</b>	TC
<b>Ambient air temperature for storage</b>	-40...70 °C
<b>Ambient air temperature for operation</b>	-25...70 °C
<b>Electrical shock protection class</b>	Class II conforming to IEC 61140
<b>IP degree of protection</b>	IP65 conforming to IEC 60529
<b>NEMA degree of protection</b>	NEMA 13 conforming to UL 50 NEMA 4 conforming to UL 50 NEMA 4X conforming to UL 50 NEMA 13 conforming to CSA C22.2 No 94 NEMA 4 conforming to CSA C22.2 No 94 NEMA 4X conforming to CSA C22.2 No 94
<b>Standards</b>	EN/IEC 60947-5-1 CSA C22.2 No 14 JIS C8201-5-1 JIS C 852 EN/IEC 60947-5-5 UL 508 EN/IEC 60947-1 JIS C8201-1
<b>Product certifications</b>	GOST CCC UL CSA
<b>Vibration resistance</b>	+/- 3 mm (f= 2...500 Hz) conforming to IEC 60068-2-6 5 gn (f= 2...500 Hz) conforming to IEC 60068-2-6
<b>Shock resistance</b>	30 gn (duration = 18 ms) for half sine wave acceleration conforming to IEC 60068-2-27 50 gn (duration = 11 ms) for half sine wave acceleration conforming to IEC 60068-2-27

## Packing Units

<b>Unit Type of Package 1</b>	PCE
<b>Number of Units in Package 1</b>	1
<b>Package 1 Height</b>	2.0 cm
<b>Package 1 Width</b>	11.0 cm
<b>Package 1 Length</b>	11.0 cm
<b>Package 1 Weight</b>	16.0 g
<b>Unit Type of Package 2</b>	S01
<b>Number of Units in Package 2</b>	60
<b>Package 2 Height</b>	15.0 cm
<b>Package 2 Width</b>	15.0 cm
<b>Package 2 Length</b>	40.0 cm
<b>Package 2 Weight</b>	1.164 kg

## Offer Sustainability

<b>Sustainable offer status</b>	Green Premium product
<b>REACH Regulation</b>	<a href="#">REACH Declaration</a>

<b>REACH free of SVHC</b>	Yes
<b>EU RoHS Directive</b>	Pro-active compliance (Product out of EU RoHS legal scope) <a href="#">EU RoHS Declaration</a>
<b>Toxic heavy metal free</b>	Yes
<b>Mercury free</b>	Yes
<b>China RoHS Regulation</b>	<a href="#">China RoHS declaration</a>
<b>RoHS exemption information</b>	<a href="#">Yes</a>
<b>Environmental Disclosure</b>	<a href="#">Product Environmental Profile</a>
<b>Circularity Profile</b>	<a href="#">End of Life Information</a>
<b>WEEE</b>	The product must be disposed on European Union markets following specific waste collection and never end up in rubbish bins
<b>California proposition 65</b>	WARNING: This product can expose you to chemicals including: Di-isodecyl phthalate (DIDP), which is known to the State of California to cause birth defects or other reproductive harm. For more information go to <a href="http://www.P65Warnings.ca.gov">www.P65Warnings.ca.gov</a>

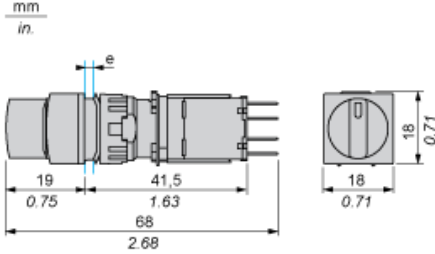
## Contractual warranty

<b>Warranty</b>	18 months
-----------------	-----------

**Square Head Selector Switch, Standard Handle**

---

**Dimensions**

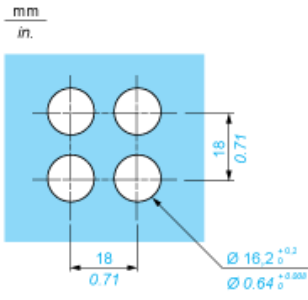


e panel thickness 1 to 6 mm/0.03 to 0.23 in.

**Panel Cut-out**

---

**For Square or Circular Head**



**Recommended replacement(s)**