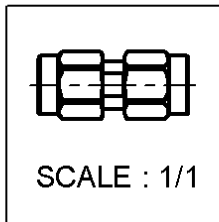
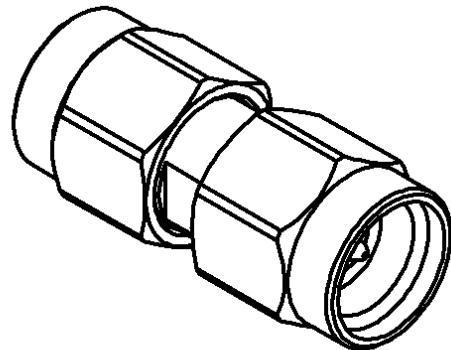
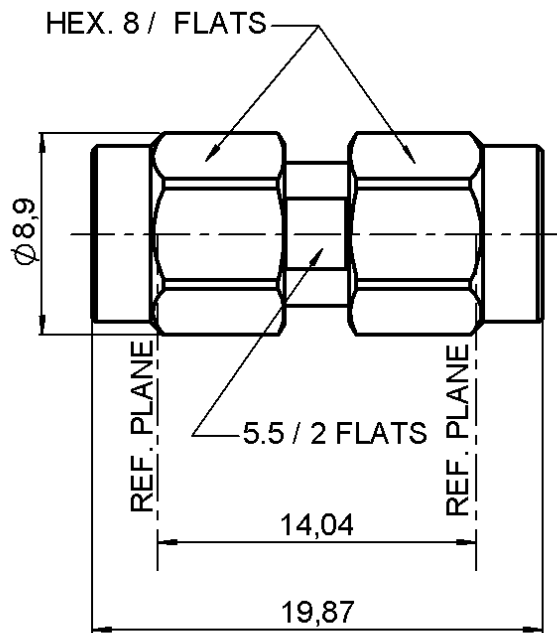


STRAIGHT ADAPTOR MALE MALE

R127.871.001

Series : SMA2.9



All dimensions are in mm.



COMPONENTS	MATERIALS	PLATINGS (μm)
BODY	STAINLESS STEEL	PASSIVATED .
CENTER CONTACT	BERYLLIUM COPPER	GOLD 1.3 OVER NICKEL 2
OUTER CONTACT	BRASS	GOLD 1.3 OVER NICKEL 2
INSULATOR	ULTEM1000	
GASKET	SILICONE RUBBER	
OTHERS PARTS	-	-
-	-	-
-	-	-

Issue : 0340 A

In the effort to improve our products, we reserve the right to make changes judged to be necessary.



STRAIGHT ADAPTOR MALE MALE

R127.871.001

Series : SMA2.9

PACKAGING

SPECIFICATION

Standard	Unit	Other
1	-	Contact us

ELECTRICAL CHARACTERISTICS

ENVIRONMENTAL

Impedance	50	Ω
Frequency	0-40	GHz
VSWR	1.03 + 0,0030	x F(GHz) Maxi
Insertion loss	0.03	\sqrt{F} (GHz) dB Maxi
RF leakage	- (90)	- F(GHz) dB Maxi
Voltage rating	350	Veff Maxi
Dielectric withstanding voltage	750	Veff mini
Insulation resistance	5000	M Ω mini

Operating temperature	-65/+165	$^{\circ}$ C
Hermetic seal	NA	Atm.cm3/s
Panel leakage	NA	

OTHERS CHARACTERISTICS

Assembly instruction

Others :

MECHANICAL CHARACTERISTICS

Center contact retention		
Axial force – Mating end	27	N mini
Axial force – Opposite end	27	N mini
Torque	NA	N.cm mini
Recommended torque		
Mating	100	N.cm
Panel nut	NA	N.cm
Mating life	500	Cycles mini
Weight	4,8300	g

Issue : 0340 A

In the effort to improve our products, we reserve the right to make changes judged to be necessary.

