

CK4,0-ED-10,00BU AG - Crimp contact



1586183

<https://www.phoenixcontact.com/in/products/1586183>

Please be informed that the data shown in this PDF document is generated from our Online Catalog. Please find the complete data in the user documentation. Our General Terms of Use for Downloads are valid.



Crimp contact, contact diameter: 4 mm, turned, Socket, contact material: Copper alloy, contact surface: silver-plated, connection cross section: 10 mm² ... 10 mm², AWG 8

Commercial Data

Item number	1586183
Packing unit	25 pc
Minimum order quantity	25 pc
Sales Key	BF7
Product Key	BF7AIE
Catalog Page	Page 511 (C-2-2019)
GTIN	4046356359597
Weight per Piece (including packing)	2.662 g
Weight per Piece (excluding packing)	2.46 g
Customs tariff number	85369010
Country of origin	CN

CK4,0-ED-10,00BU AG - Crimp contact



1586183

<https://www.phoenixcontact.com/in/products/1586183>

Technical Data

Notes

General	for HC-M-02, HC-M-03, HC-M-03/04, HC-M-04, HC-Q02, HC-Q03, HC-Q04, and HC-COM-Q4/2 contact carriers
---------	---

Mounting

Assembly instructions	The quality of a crimp connection is determined by DIN EN 60352-2.
-----------------------	--

Product properties

Product type	Crimp contact
Type	Individual female contact
Contact type	turned
Series	HC-M-03
	HC-M-03/04
	HC-M-04
	HC-K
	HC-M-02
	HC-HS

Connection data

Connection method	Crimp connection
Type of contact	Socket
Connection technology	Crimp connection
Conductor cross section	10 mm ² ... 10 mm ²
Connection cross section AWG	8
Stripping length of the individual wire	18 mm (For wire Ø ≥ 6.4 mm)
	15 mm (For wire Ø ≥ 4.3 mm)

Material specifications

Contact material	Copper alloy
Contact surface material	silver-plated

Dimensions

Mechanical characteristics

Contact diameter	4 mm
------------------	------

Mechanical properties

Mechanical data

Insertion/withdrawal cycles	≥ 500
-----------------------------	-------

Environmental and real-life conditions

CK4,0-ED-10,00BU AG - Crimp contact



1586183

<https://www.phoenixcontact.com/in/products/1586183>

Ambient conditions

Ambient temperature (operation)

-40 °C ... 125 °C

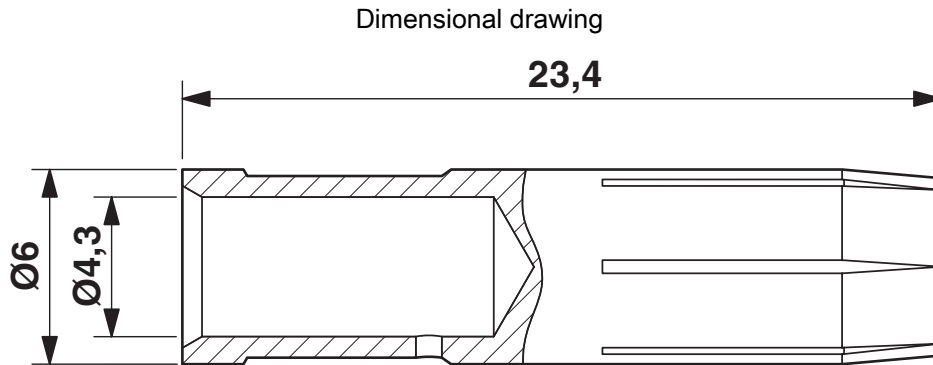
CK4,0-ED-10,00BU AG - Crimp contact



1586183

<https://www.phoenixcontact.com/in/products/1586183>

Drawings



Dimensional drawing

CK4,0-ED-10,00BU AG - Crimp contact



1586183

<https://www.phoenixcontact.com/in/products/1586183>

Classifications

ECLASS

ECLASS-11.0	27440204
ECLASS-12.0	27440204
ECLASS-13.0	27440204

ETIM

ETIM 8.0	EC000796
----------	----------

UNSPSC

UNSPSC 21.0	39121500
-------------	----------

CK4,0-ED-10,00BU AG - Crimp contact



1586183

<https://www.phoenixcontact.com/in/products/1586183>

Environmental Product Compliance

REACH SVHC	Lead 7439-92-1
China RoHS	Environmentally Friendly Use Period = 50 years
	For information on hazardous substances, refer to the manufacturer's declaration available under "Downloads"

CK4,0-ED-10,00BU AG - Crimp contact



1586183

<https://www.phoenixcontact.com/in/products/1586183>

Accessories

CRIMPFOX-TC HC 10 - Crimping pliers

1314533

<https://www.phoenixcontact.com/in/products/1314533>



Crimping pliers, for solid contacts from the CK4.0 ED... series, two marked die stations, unlockable pressure lock, lateral entry, incl. positioning tool

UNIFOX RT-CK 4.0 - Contact removal tool

1072064

<https://www.phoenixcontact.com/in/products/1072064>



Contact removal tool, for rotated CK-4,0-... contacts

CK4,0-ED-10,00BU AG - Crimp contact

1586183

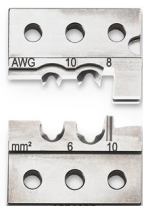
<https://www.phoenixcontact.com/in/products/1586183>



CF 500/DIE TC HC 10 - Crimp insert

1324137

<https://www.phoenixcontact.com/in/products/1324137>



Die for CF 500 crimping device, CK 4,0-ED... turned contacts, 2 marked die stations

CRIMPFOX-M - Crimping pliers

1212072

<https://www.phoenixcontact.com/in/products/1212072>



Basic pliers, for accommodating dies for a wide range of type of contacts

CK4,0-ED-10,00BU AG - Crimp contact

1586183

<https://www.phoenixcontact.com/in/products/1586183>



CK4,0-ED-10,00ST AG - Crimp contact

1586198

<https://www.phoenixcontact.com/in/products/1586198>



Crimp contact, contact diameter: 4 mm, turned, Pin, contact material: Copper alloy, contact surface: silver-plated, connection cross section: 10 mm² ... 10 mm², AWG 8

Phoenix Contact 2023 © - all rights reserved

<https://www.phoenixcontact.com>

PHOENIX CONTACT (I) Pvt. Ltd.

A-58/2, Okhla Industrial Area, Phase - II, New Delhi-110 020

+91.1275.71420

info@phoenixcontact.co.in