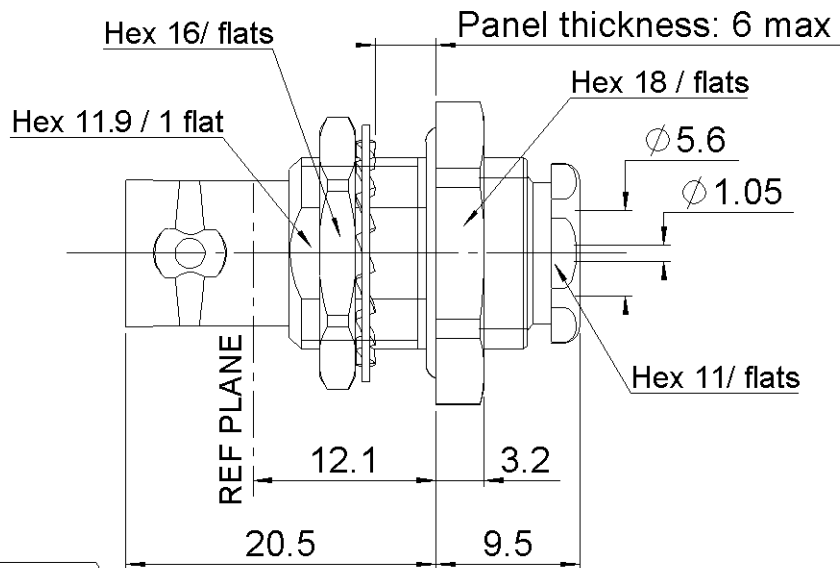
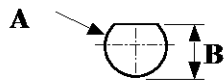
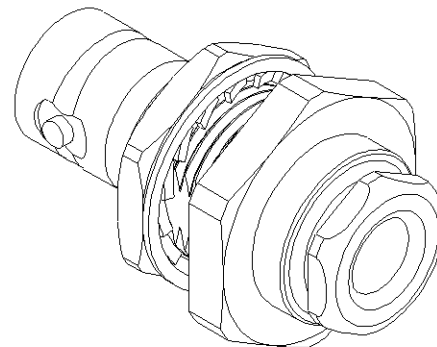
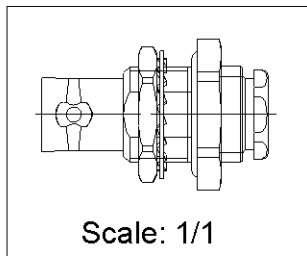


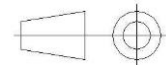
PAGE 1/2	ISSUE 25-02-21B	SERIES BNC	PART NUMBER R141327000
----------	-----------------	------------	------------------------


**PANEL CUT OUT**


mm		
	Maxi	mini
<b>A</b>	<b>12.8</b>	<b>12.7</b>
<b>B</b>	<b>12.1</b>	<b>12</b>



All dimensions are in mm. Tolerances according ISO 2768 m-H



COMPONENTS	MATERIALS	PLATING ( $\mu\text{m}$ )
Body	<b>BRASS</b>	<b>NICKEL 2</b>
Center contact	<b>BERYLLIUM COPPER</b>	<b>GOLD 0.5 OVER NICKEL 2</b>
Outer contact	-	-
Insulator	<b>PTFE</b>	
Gasket	<b>SILICONE RUBBER</b>	
Others parts	<b>BRASS</b>	<b>NICKEL 2</b>
-	-	-
-	-	-

PAGE <b>2/2</b>	ISSUE <b>25-02-21B</b>	SERIES <b>BNC</b>	PART NUMBER <b>R141327000</b>
-----------------	------------------------	-------------------	-------------------------------

### PACKAGING

Standard	Unit	Other
<b>100</b>	<b>Contact us</b>	<b>Contact us</b>

### ELECTRICAL CHARACTERISTICS

Impedance		<b>50</b>	Ω
Frequency		<b>0-4</b>	GHz
VSWR	<b>1.2</b>	<b>+</b>	<b>0</b> x F(GHz) Maxi
Insertion loss		<b>0.115</b>	√F(GHz) dB Maxi
RF leakage	- (	<b>57</b>	- F(GHz)) dB Maxi
Voltage rating		<b>500</b>	Veff Maxi
Dielectric withstanding voltage		<b>1500</b>	Veff mini
Insulation resistance		<b>5000</b>	MΩ mini

### MECHANICAL CHARACTERISTICS

Center contact retention		<b>NA</b>	N mini
Axial force – Mating End		<b>NA</b>	N mini
Axial force – Opposite end		<b>NA</b>	N.cm mini
Torque		<b>NA</b>	N.cm mini
Recommended torque			
Mating		<b>NA</b>	N.cm
Panel nut		<b>370</b>	N.cm
Clamp nut		<b>450</b>	N.cm
A/F clamp nut		<b>11</b>	mm
Mating life	<b>500</b>		Cycles mini
Nominal Weight (Add +15% for max weight)	<b>20</b>		g

### ENVIRONMENTAL

Operating temperature	<b>-65/+165</b>	°C
Hermetic seal	<b>NA</b>	Atm.cm3/s
Panel leakage	<b>NA</b>	

### SPECIFICATION

QAE 06-02

### CABLE ASSEMBLY

Stripping	a	b	c	d	e	f
mm	<b>2,6</b>	<b>8,5</b>	<b>0</b>	<b>0</b>	<b>2,5</b>	<b>0</b>

Assembly instruction: **Clamp 02**

Recommended cable(s)

**RG 141**  
**KX 23**  
**RG 142 FTX**  
**RG 58**  
**RG 142**  
**RG 223**  
**RG 400**  
**KX 15**

Characteristics indicated on this data sheet are those that can be achieved with the highest performance cable. Intrinsic limitations of the cable may diminish the performance of the assembly

Cable retention

- pull off	<b>180</b>	N mini
- torque	<b>NA</b>	N.cm

### TOOLING

Part Number	Description	Hexagon
.	.	.

### OTHER CHARACTERISTICS

-