

REFERENCE SPECIFICATIONS

-NFC 93425 (in compliance with HE 507)

PHYSICAL CHARACTERISTICS

- INSULATOR MATERIAL: THERMOPLASTIC UL94V0
- CONTACT MATERIAL: BRASS(SIGNAL CONTACT)
BRASS (POWERS CONTACT)
- ACCESSORIES: BRASS
- SHELLS: STEEL

ELECTRICAL CHARACTERISTICS

- NOMINAL CURRENT: 7.5A (SIGNAL CONTACT)
30A or 40A (POWER CONTACT)
- CONTACT RESISTANCE: 7.3 m Ohms(SIGNAL and POWER)
- CONTACT/CONTACT : 1000 V
- CONTACT/GROUND : 1200 V
- INSULATION RESISTANCE: 5000 MOhms

ENVIRONMENTAL CHARACTERISTICS

- CLIMATIC CATEGORY: 55/125/21
TEMPERATURE RANGE -55°C TO +125°C
DAMP HEAT STEADY STATE 21 DAYS
SALT SPRAY 24 HOURS

MECHANICAL CHARACTERISTICS

- RETENTION AGAINST TORQUE: - Threaded insert: 0.7 N.m maximum
- Female screw : 0.5 N.m maximum

NOTE RoHS INFORMATION

- The "LF" products meet european union Directives and other country regulations as described in GS-47-0004
- The housing will withstand exposure to 260°C peak temperature for 3.5 seconds in a wave solder application with a 1.6mm minimum thick circuit board. See application notes/procedures if they are available.
- Termination plating spec:
 - Signal contacts: Ni + Gold/GxT
 - Power contacts: Ni 1.27µmi+Sn 2.5 to 7.5µ,pure bright
- Active area plating spec:
 - Signal and power contacts: Ni + Gold/GxT
- Shell plating :2 to 4µm Cu + 3 to 10µmm Sn,pure bright
- Accessories: Sn pure bright
- Packaging spec: See GS-14-920

DBL13W3P300G30LF

Series ←

Shell size: **E A B C D** ←
see sheet 2

Front accessory definition ←
see sheet 2

- L** : threaded insert M3
 - O** : threaded insert UNC 4-40
 - V** : female screw UNC 4-40
 - I** : female screw M3
- Layout of contacts (see sheet 3) ←

Contacts ←

P : Pin

Termination type ←

3 Straight version

Plating ←

- 00** 200 matings/unmatings
- 43** 500 matings/unmatings

PCB accessories definition ←
see sheet 2

- A** : No PCB Accessory
- H** : harpoons for PCB 2.40mm
- G** : harpoons for PCB 1.60mm

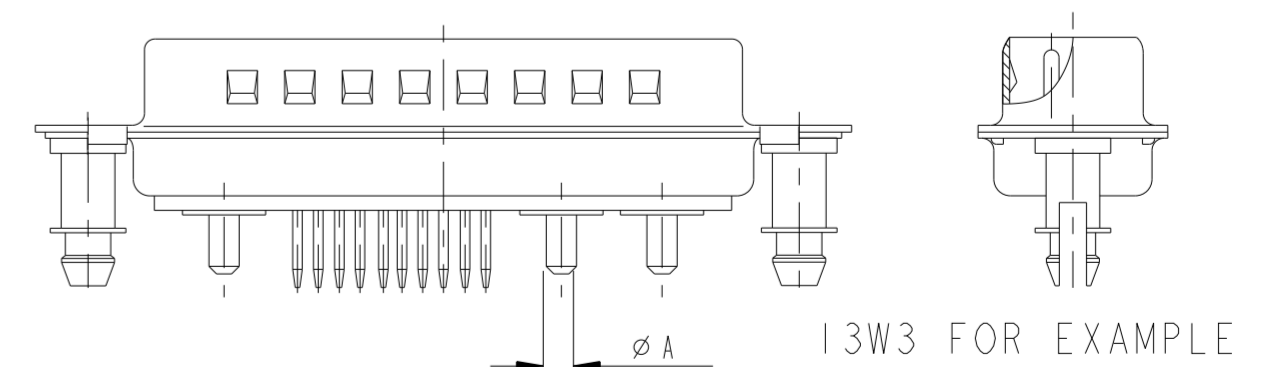
Power contacts ←

- 00** : Not Fitted with power contact
- 30** : Fitted with power contacts 30 Amp.
- 40** : Fitted with power contacts 40 Amp.

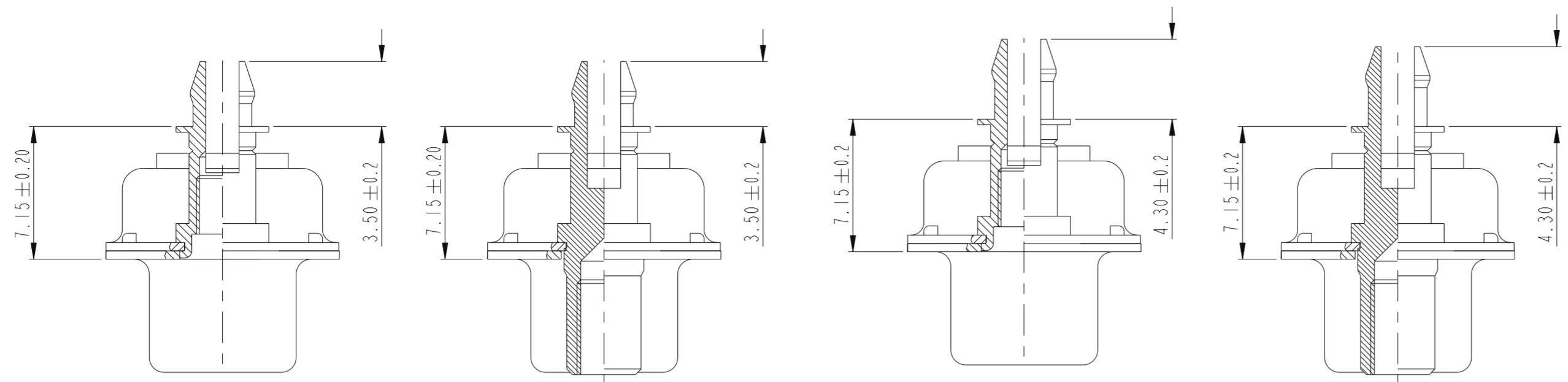
See note RoHS

TABLE 1:PCB HOLE DIAMETERS

	POWER CONTACTS		ACCESSORIES	SIGNAL CONTACTS
30 A	2.00	∅2.40	∅3.10	∅ 1.00
40 A	2.80	∅3.10		
Max current power	∅A ±0.1	PCB HOLE +/-0.1	PCB HOLE +/-0.1	PCB HOLE +/-0.1



spec ref	dr	1, Product Eng	2015/06/12	projection	mm	size	A2	scale	3:1
tolerance std	eng	Gregar Mathew	2020/12/04		mm	ecn no	ELX-433028-1	rel level	Released
ISO 406 ISO 406	chr	-	product family						
ISO 1101 ISO 1101	appr	Kuriakosa, San	2020/12/04			cat. no.	C01-8639-2306c	rev	K
surface	linear	0.X ±0.3	±0.1	SUB MALE DW		Product - Customer Drw		sheet 1 of 7	
ISO 1302	angular	0°. ±2°	±0.05	MIXED POWER STRAIGHT SOLDER					



FRONT ACCESSORY	L insert M3 O insert UNC 4.40	V insert UNC 4.40	L insert M3 O insert UNC 4.40	V insert UNC 4.40
PCB ACCESSORIES	G Harpoon for PCB 1.60mm	G Harpoon for PCB 1.60mm	H Harpoon for PCB 2.40mm	H Harpoon for PCB 2.40mm

PART NUMBER	AMPS	MATINGS/ UNMATINGS	FRONT ACCESSORY	PCB ACCESSORIES
D*LxWxP300G30LF	30	200	insert M3	harpoon PCB 1.60mm
D*OxWxP300G30LF	30	200	insert UNC 4.40	harpoon PCB 1.60mm
D*VxWxP300G30LF	30	200	female screw UNC 4.40	harpoon PCB 1.60mm
D*LxWxP300H30LF	30	200	insert M3	harpoon PCB 2.40mm
D*OxWxP300H30LF	30	200	insert UNC 4.40	harpoon PCB 2.40mm
D*VxWxP300H30LF	30	200	female screw UNC 4.40	harpoon PCB 2.40mm
D*LxWxP300G40LF	40	200	insert M3	harpoon PCB 1.60mm
D*OxWxP300G40LF	40	200	insert UNC 4.40	harpoon PCB 1.60mm
D*VxWxP300G40LF	40	200	female screw UNC 4.40	harpoon PCB 1.60mm
D*LxWxP300H40LF	40	200	insert M3	harpoon PCB 2.40mm
D*OxWxP300H40LF	40	200	insert UNC 4.40	harpoon PCB 2.40mm
D*VxWxP300H40LF	40	200	female screw UNC 4.40	harpoon PCB 2.40mm

shell size	LAYOUTS
*	xWx
E	5W1
A	11W1
A	7W2
B	21W1
B	17W2
B	13W3
B	9W4
C	25W3
C	21WA4
C	27W2
D	47W1
D	24W7
D	36W4

PART NUMBER	AMPS	MATINGS/ UNMATINGS	FRONT ACCESSORY	PCB ACCESSORIES
D*LxWxP343G30LF	30	500	insert M3	harpoon PCB 1.60mm
D*OxWxP343G30LF	30	500	insert UNC 4.40	harpoon PCB 1.60mm
D*VxWxP343G30LF	30	500	female screw UNC 4.40	harpoon PCB 1.60mm
D*LxWxP343H30LF	30	500	insert M3	harpoon PCB 2.40mm
D*OxWxP343H30LF	30	500	insert UNC 4.40	harpoon PCB 2.40mm
D*VxWxP343H30LF	30	500	female screw UNC 4.40	harpoon PCB 2.40mm
D*LxWxP343G40LF	40	500	insert M3	harpoon PCB 1.60mm
D*OxWxP343G40LF	40	500	insert UNC 4.40	harpoon PCB 1.60mm
D*VxWxP343G40LF	40	500	female screw UNC 4.40	harpoon PCB 1.60mm
D*LxWxP343H40LF	40	500	insert M3	harpoon PCB 2.40mm
D*OxWxP343H40LF	40	500	insert UNC 4.40	harpoon PCB 2.40mm
D*VxWxP343H40LF	40	500	female screw UNC 4.40	harpoon PCB 2.40mm

Amphenol FCI

© 2016 AFCI

spec ref	dr 1, Product Eng	2015/06/12	projection	mm	size A2	scale 3:1
tolerance std	eng Gregar Mathew	2020/12/04			ecn no ELX-33028-1	rel level Released
ISO 406 ISO 1101	chr -	2020/12/04				
TOLERANCES UNLESS OTHERWISE SPECIFIED	appr Kuriakosa, San	2020/12/04	Amphenol FCI		title SUB MALE DW	rev K
surface	linear	0.X ±0.30 0.XX ±0.10 0.XXX ±0.05	MIXED POWER STRAIGHT SOLDER		dwg no C01-8639-2306c	sheet 2 of 7
ISO 1302	angular	0° ±°	cat. no. - Product - Customer Drw			

PDS: Rev :K

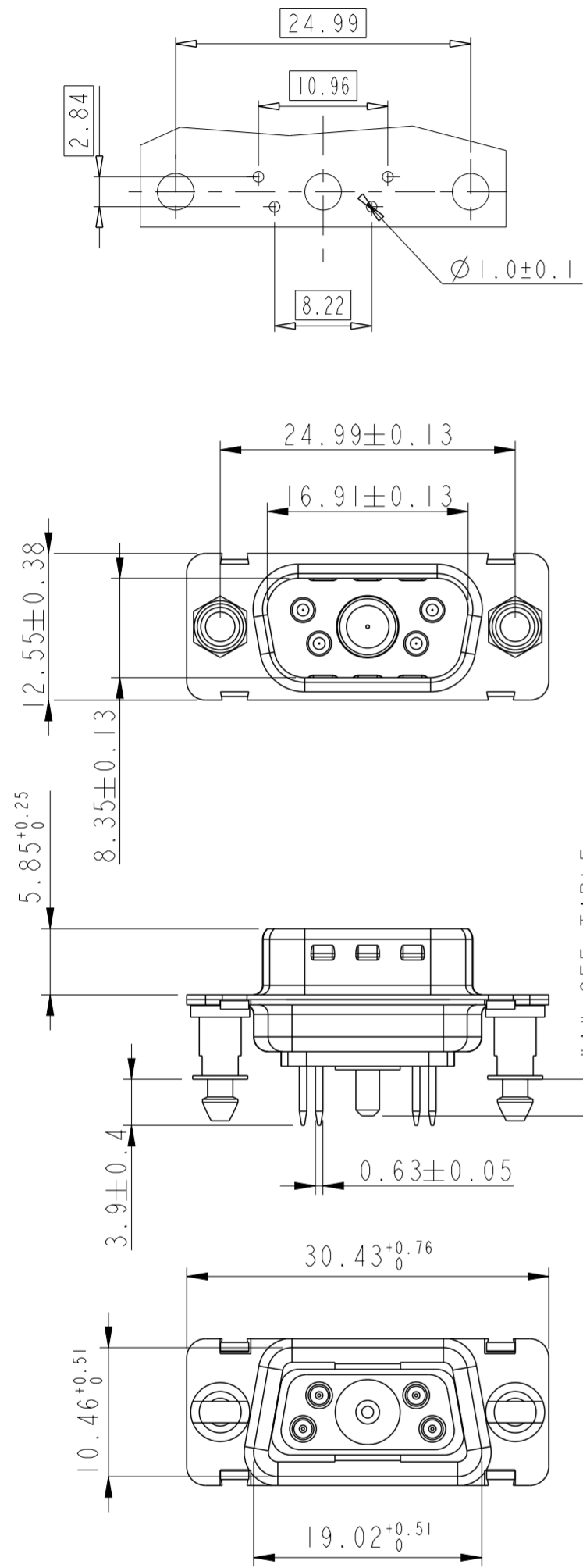
STATUS:Released

Printed: Dec 18, 2020

5W1

LAYOUT AND CONNECTOR DIMENSIONS

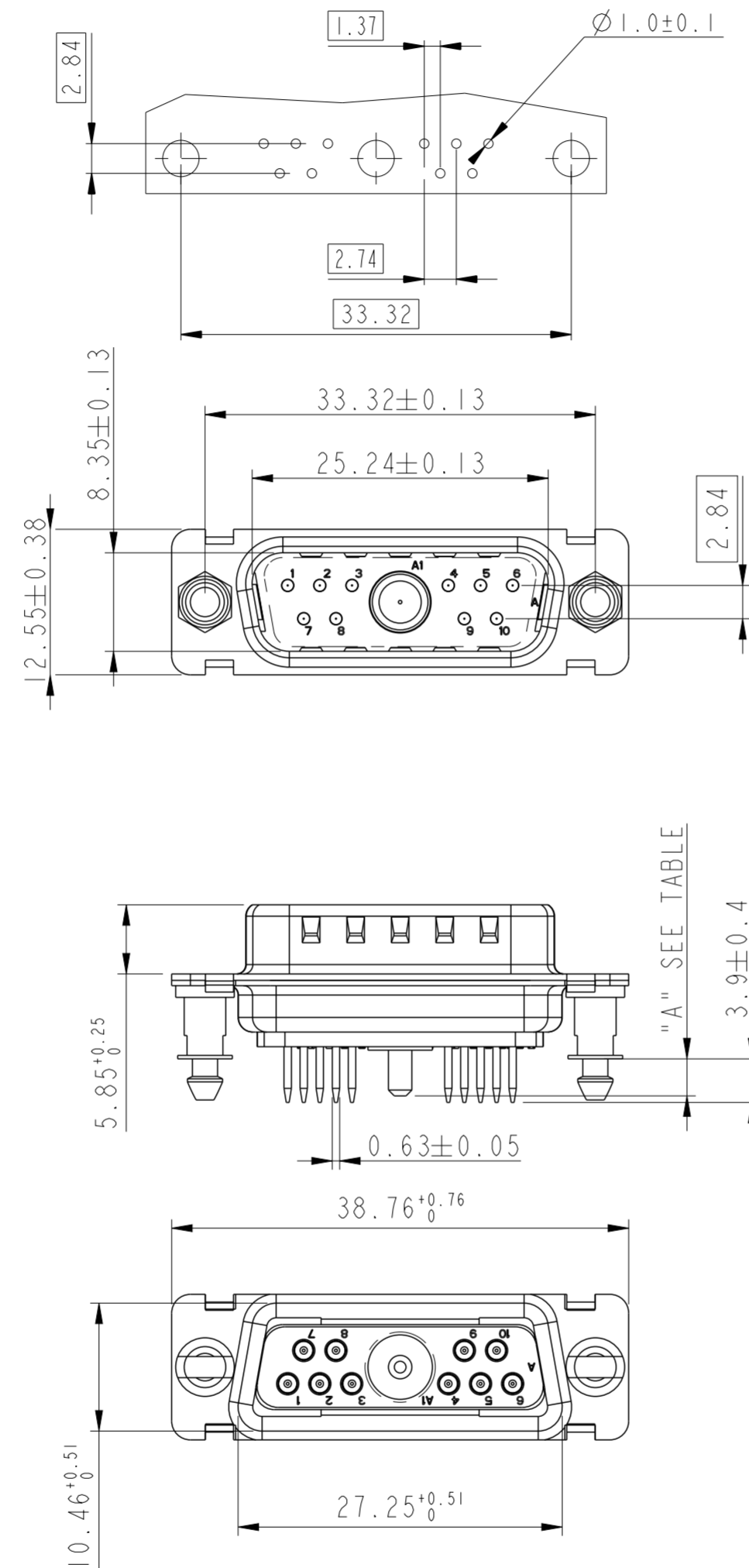
For PCB hole diameters see table I sheet 1



11W1

LAYOUT AND CONNECTOR DIMENSIONS

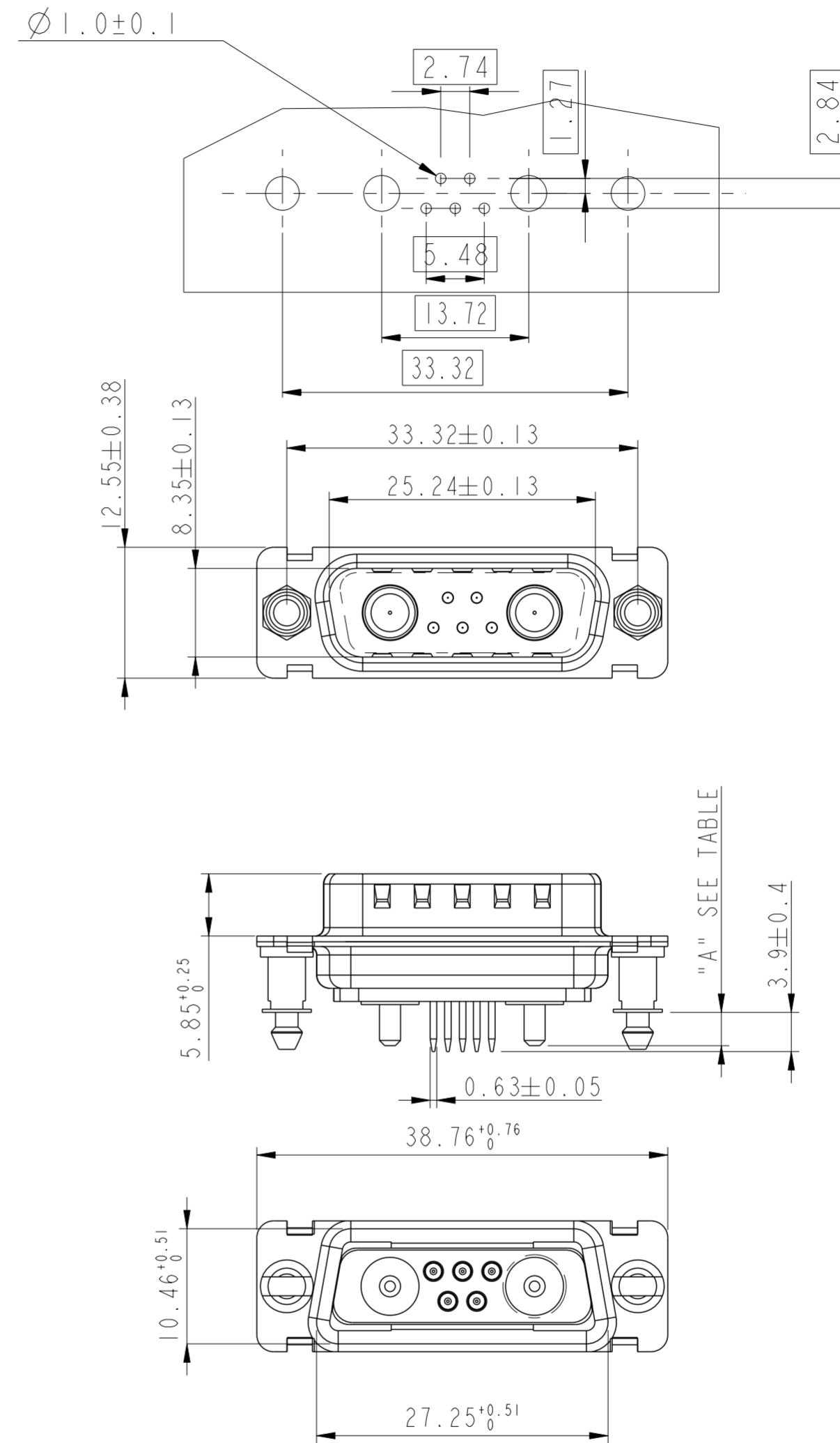
For PCB hole diameters see table I sheet 1



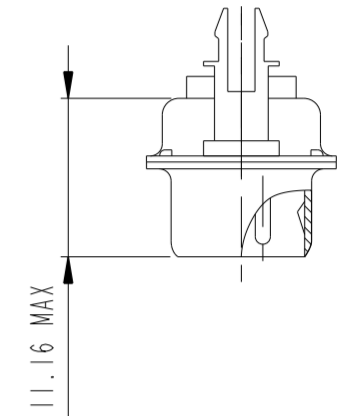
7W2

LAYOUT AND CONNECTOR DIMENSIONS

For PCB hole diameters see table I sheet 1



SIDE VIEW FOR LAYOUTS: E A B C



Cote "A"

30A	3.1 ± 0.25
40A	3.6 ± 0.25

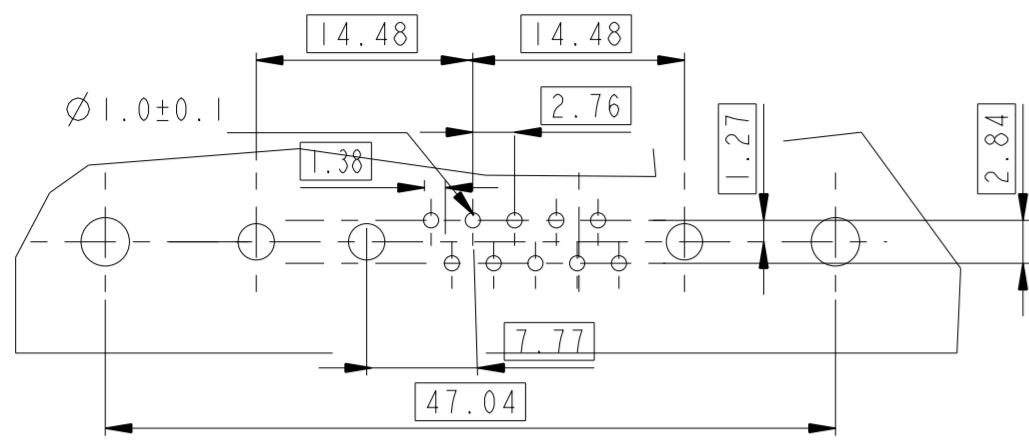
Amphenol FCI

© 2016 AFCI

spec ref	dr	1, Product Eng	2015/06/12	projection	mm	size	A2	scale	2:1
tolerance std	eng	Gregar Mathew	2020/12/04		mm	ecn no	ELX-33028-1	rel level	Released
ISO 406	chr	-	product family						
ISO 1101	appr	Kuriakosa, San	2020/12/04	Amphenol FCI		title SUB MALE DW MIXED POWER STRAIGHT SOLDER		dwg no C01-8639-2306c	rev K
surface	linear	0.X	±0.30	cat. no.		Product - Customer Drw		sheet 3 of 7	
		0.XX	±.10	PDS: Rev :K		STATUS:Released		Printed: Dec 18, 2020	
		0.XXX	±0.05						
ISO 1302	angular	0°	±°						

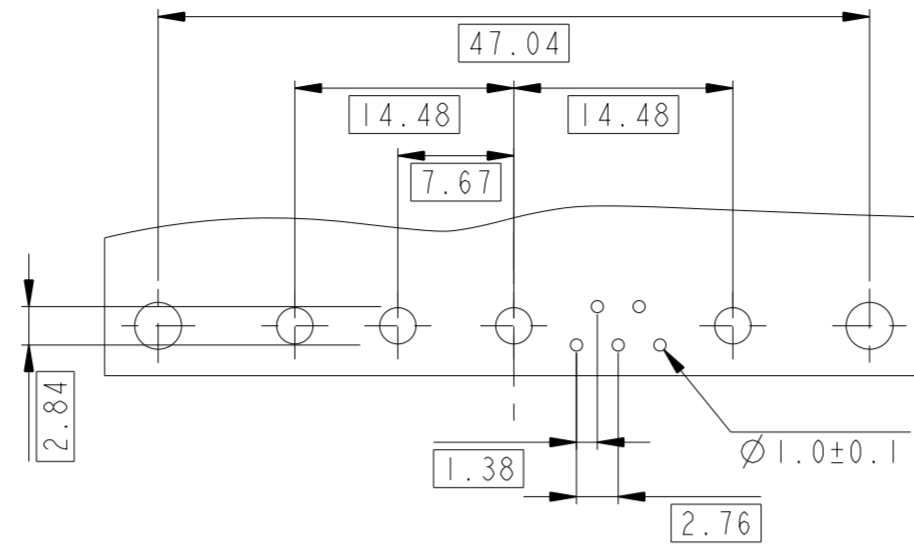
13W3

LAYOUT AND CONNECTOR DIMENSIONS
For PCB hole diameters see table I sheet I



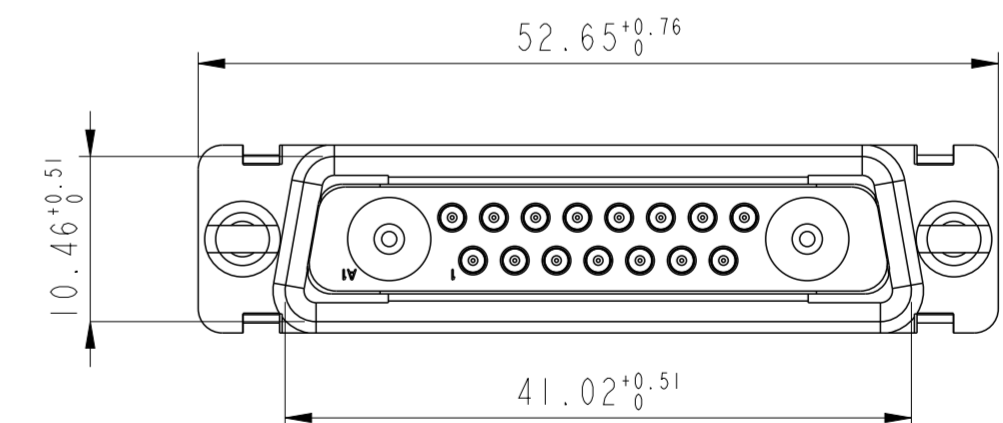
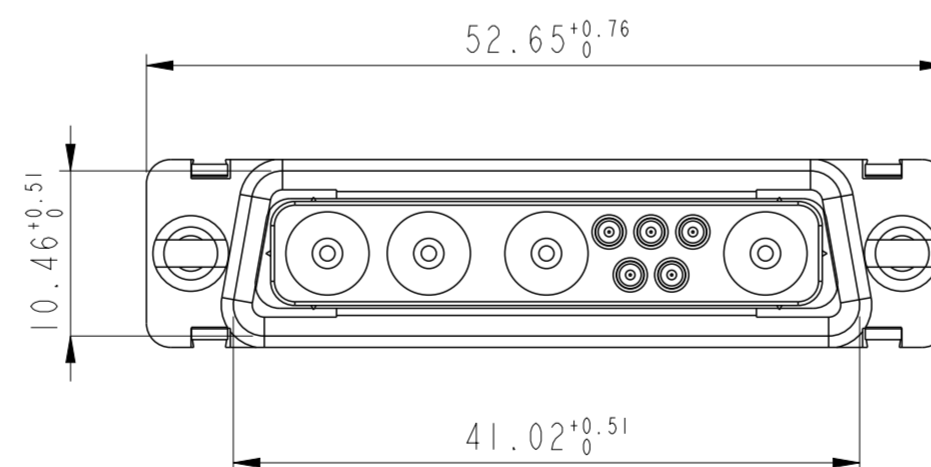
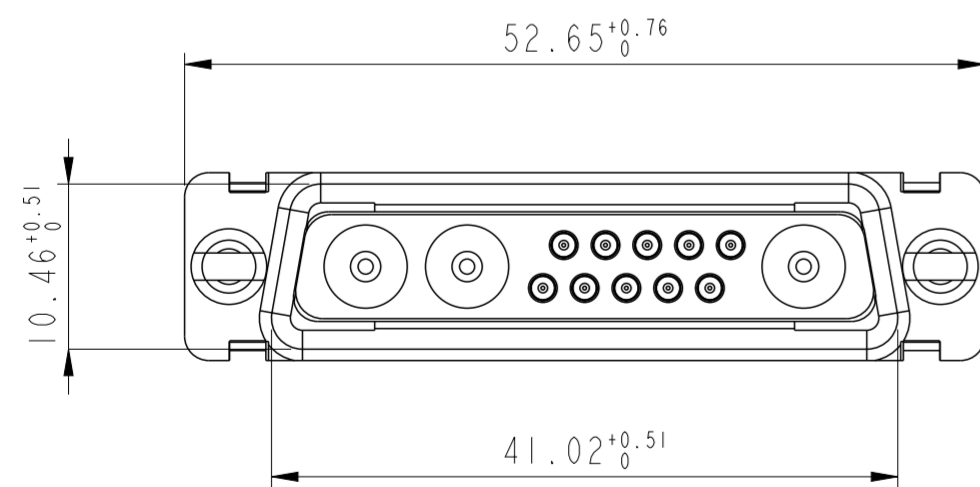
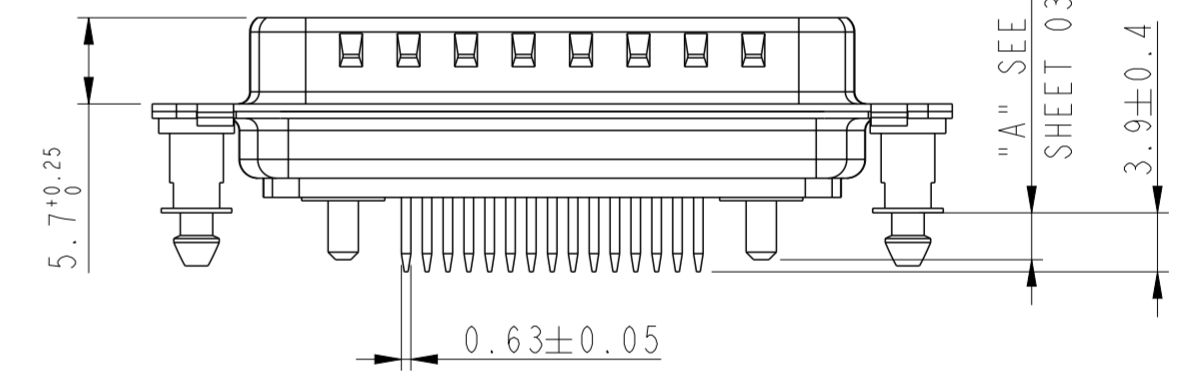
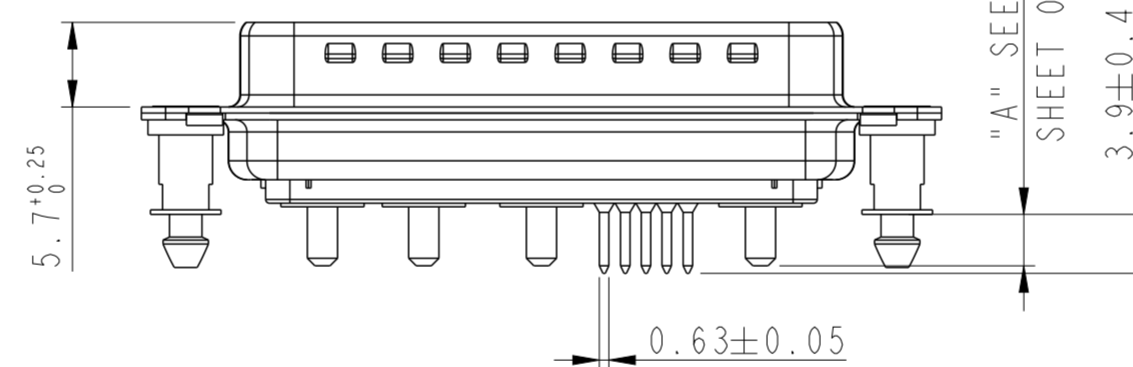
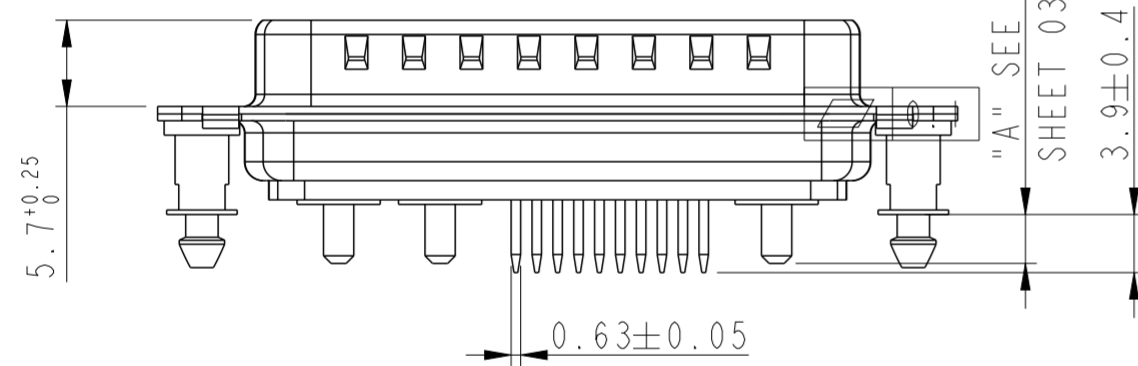
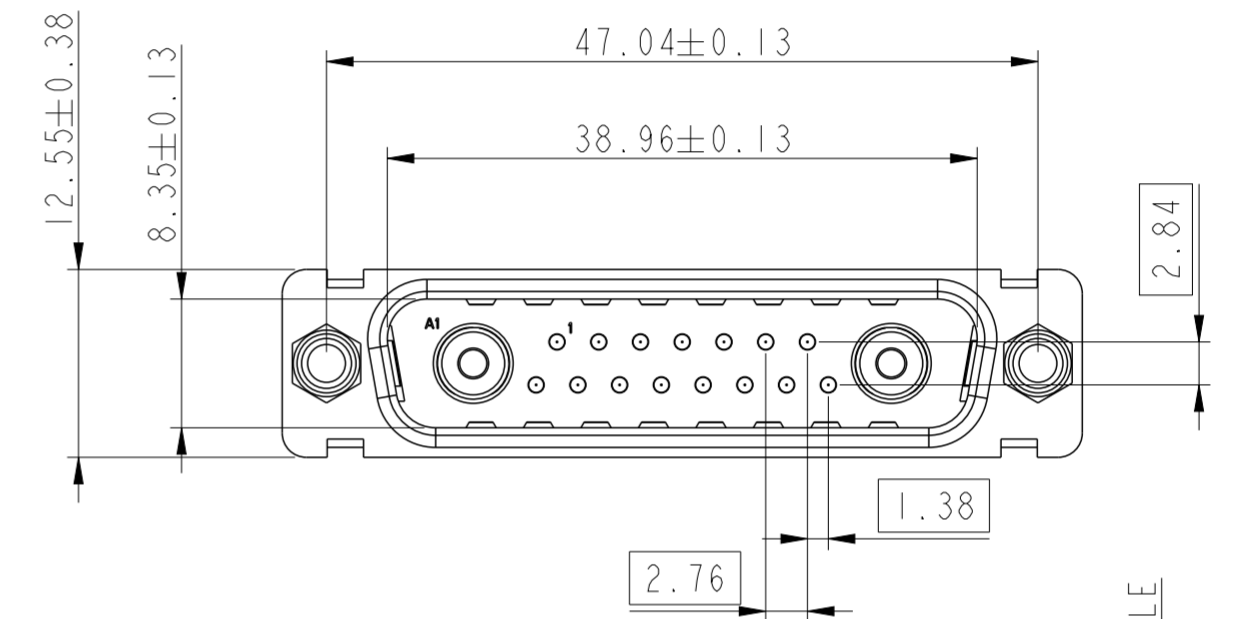
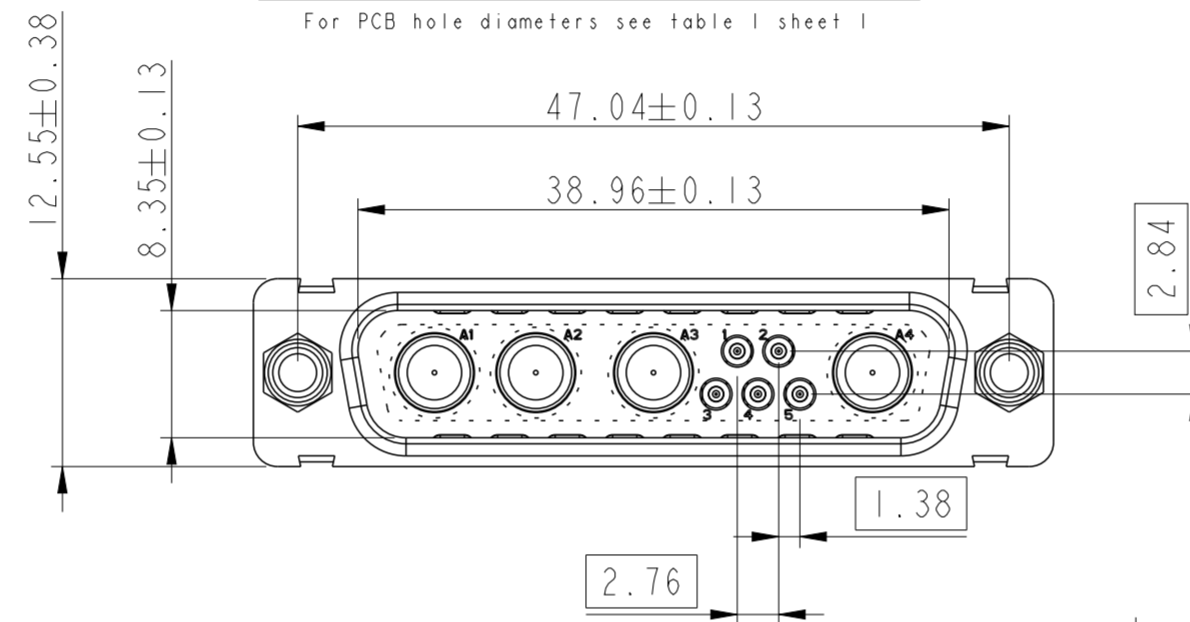
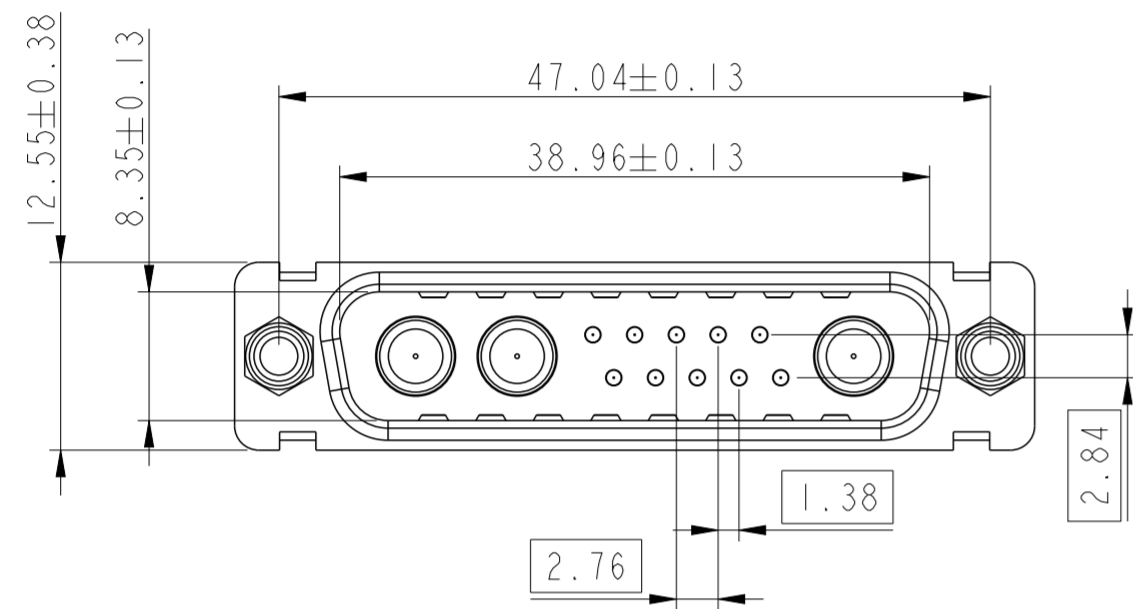
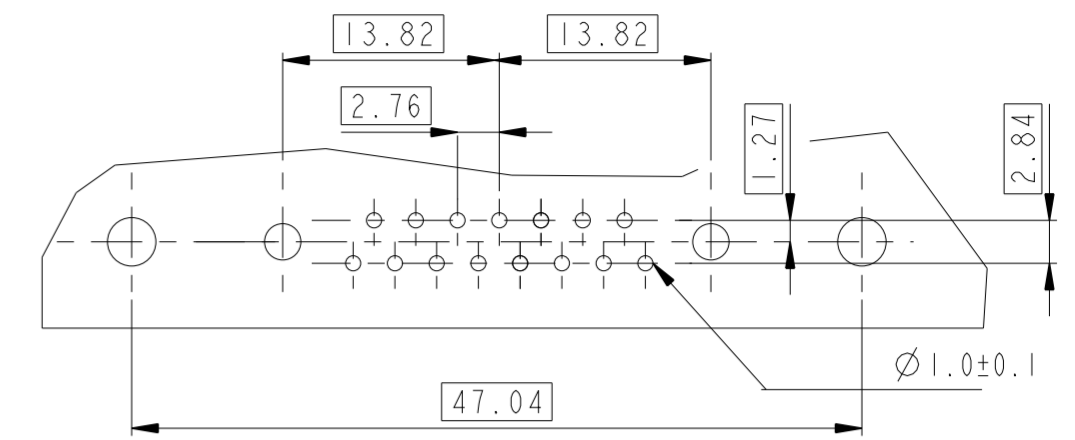
9W4

LAYOUT AND CONNECTOR DIMENSIONS
For PCB hole diameters see table I sheet I



17W2

LAYOUT AND CONNECTOR DIMENSIONS
For PCB hole diameters see table I sheet I



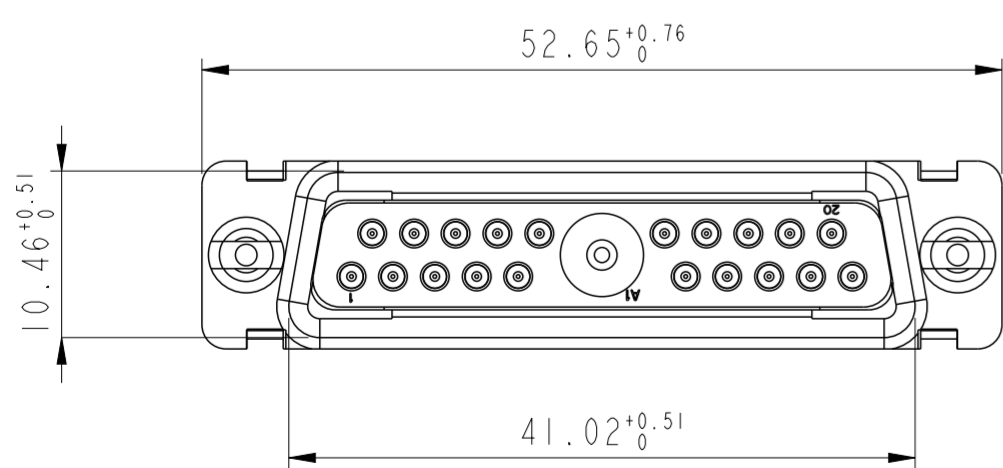
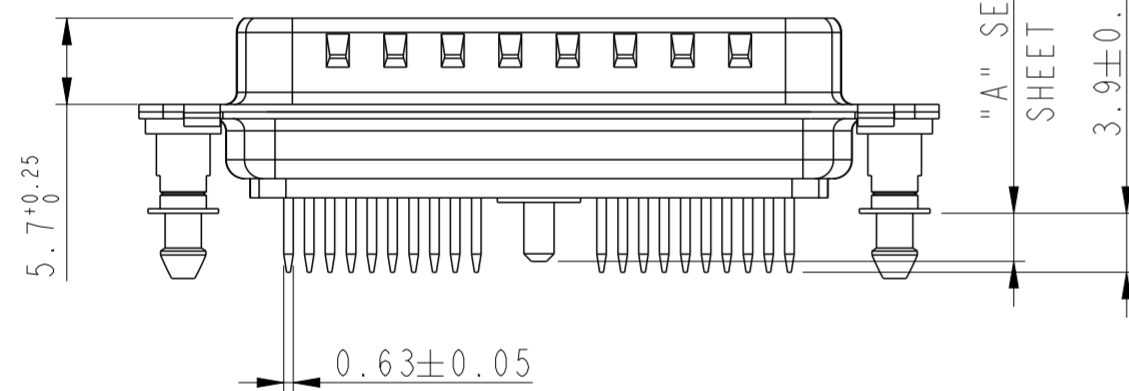
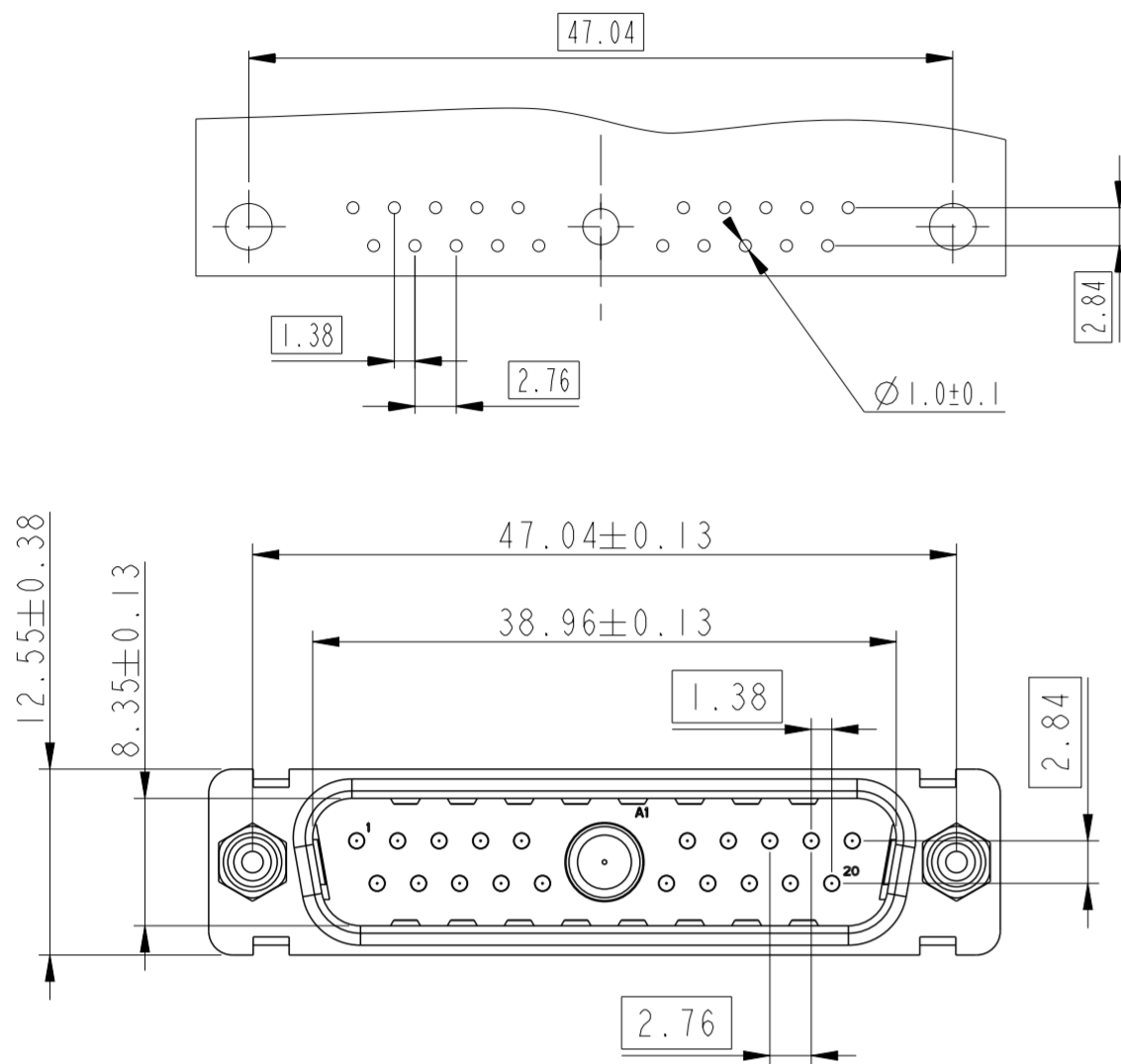
Floating signal contacts

spec ref	dr	1, Product Eng	2015/06/12	projection	mm	size	A2	scale	2:1
tolerance std	eng	Gregar Mathew	2020/12/04		mm	ecn no	ELX-433028-1	rel level	Released
ISO 406	chr	-							
ISO 1101	appr	Kuriakosa, San	2020/12/04	product family	-	rel level	Released		
surface	linear	Amphenol FCI		SUB MALE DW		dwg no	C01-8639-2306c		rev
ISO 1302	angular	TOLERANCES UNLESS OTHERWISE SPECIFIED		MIXED POWER STRAIGHT SOLDER		Product - Customer Drw		sheet 4 of 7	K
		0.X	±0.30	cat. no.					
		0.XX	±0.10						
		0.XXX	±0.05						
		0°	±°						

21W1

LAYOUT AND CONNECTOR DIMENSIONS

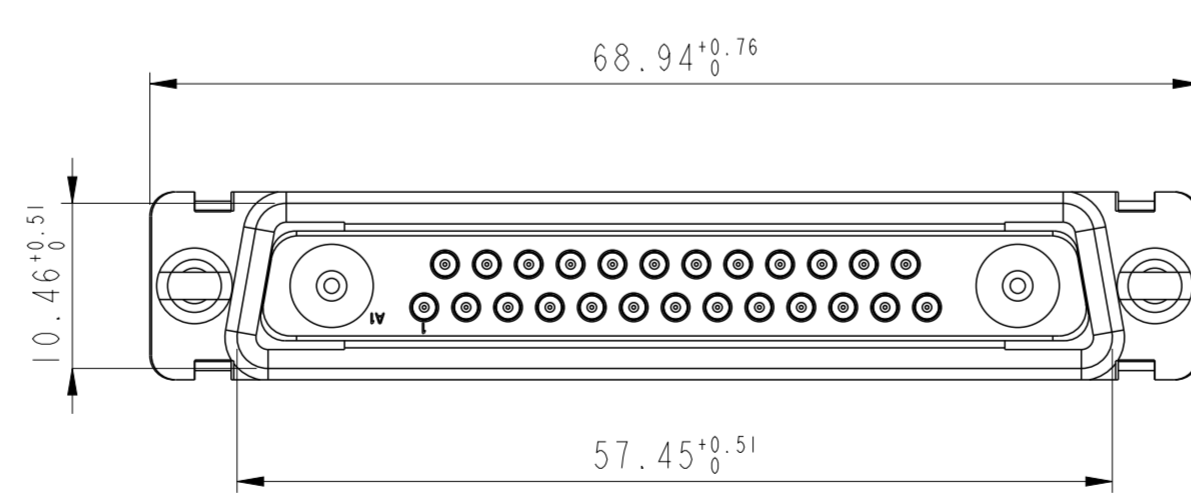
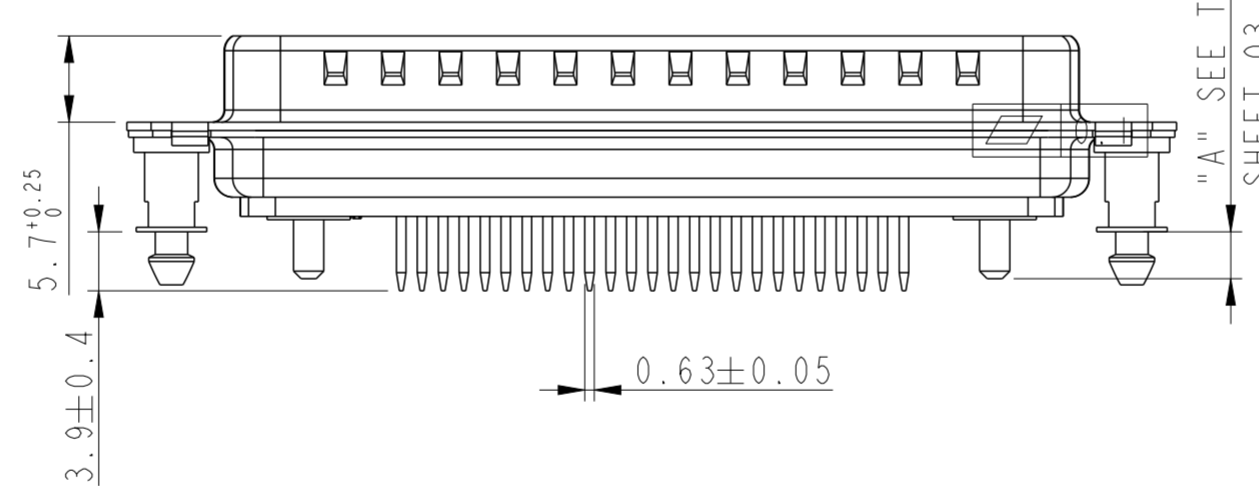
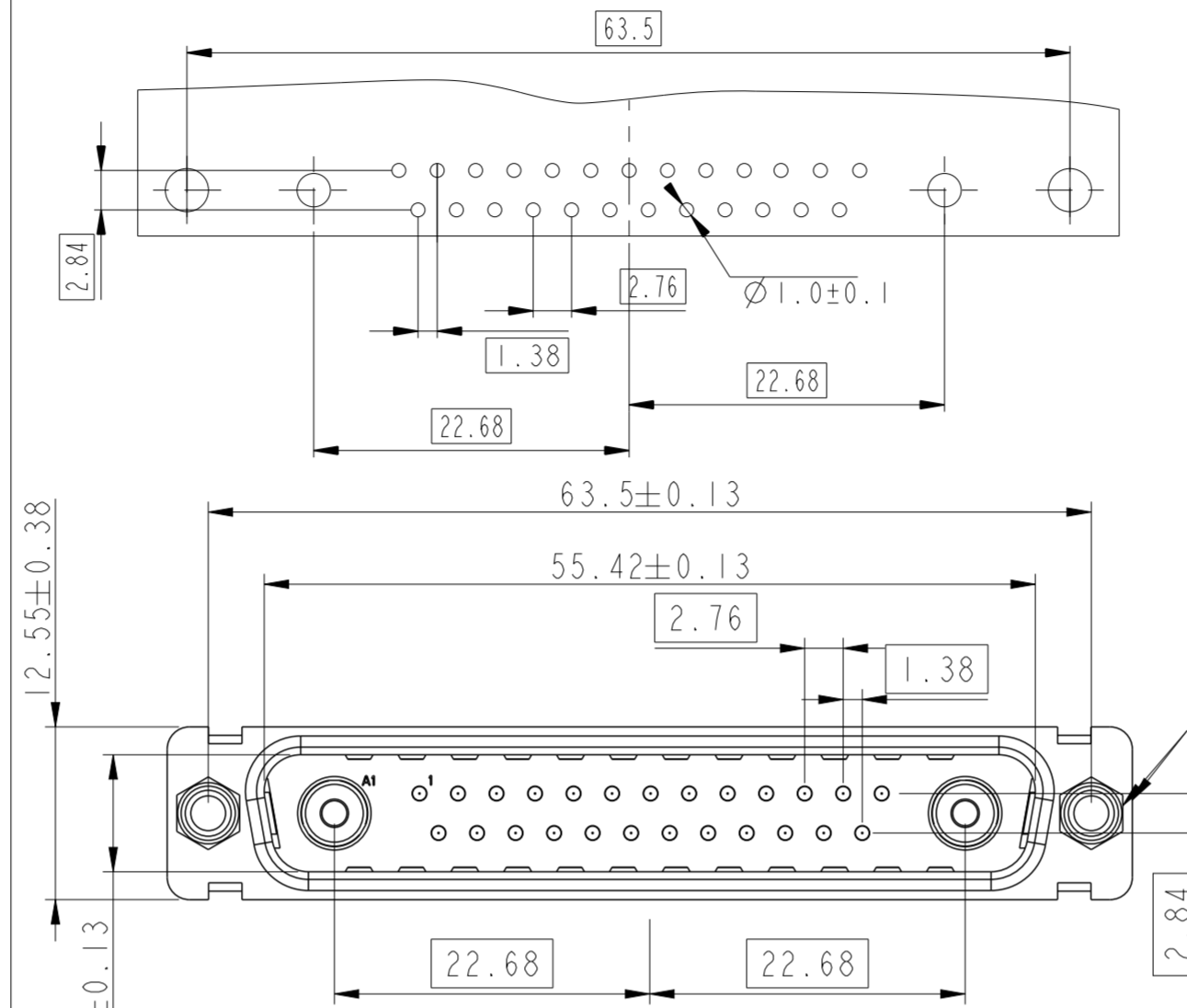
For PCB hole diameters see table 1 sheet 1



27W2

LAYOUT AND CONNECTOR DIMENSIONS

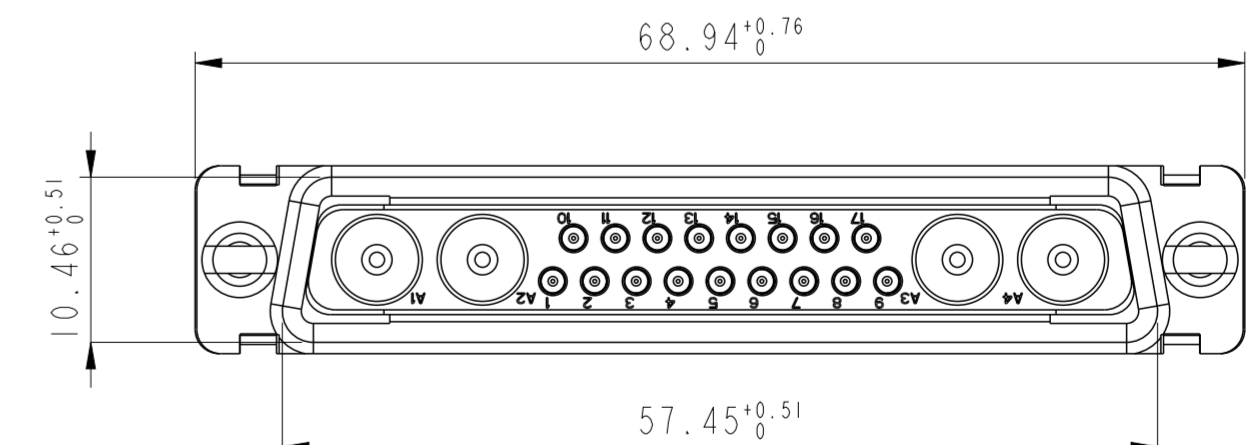
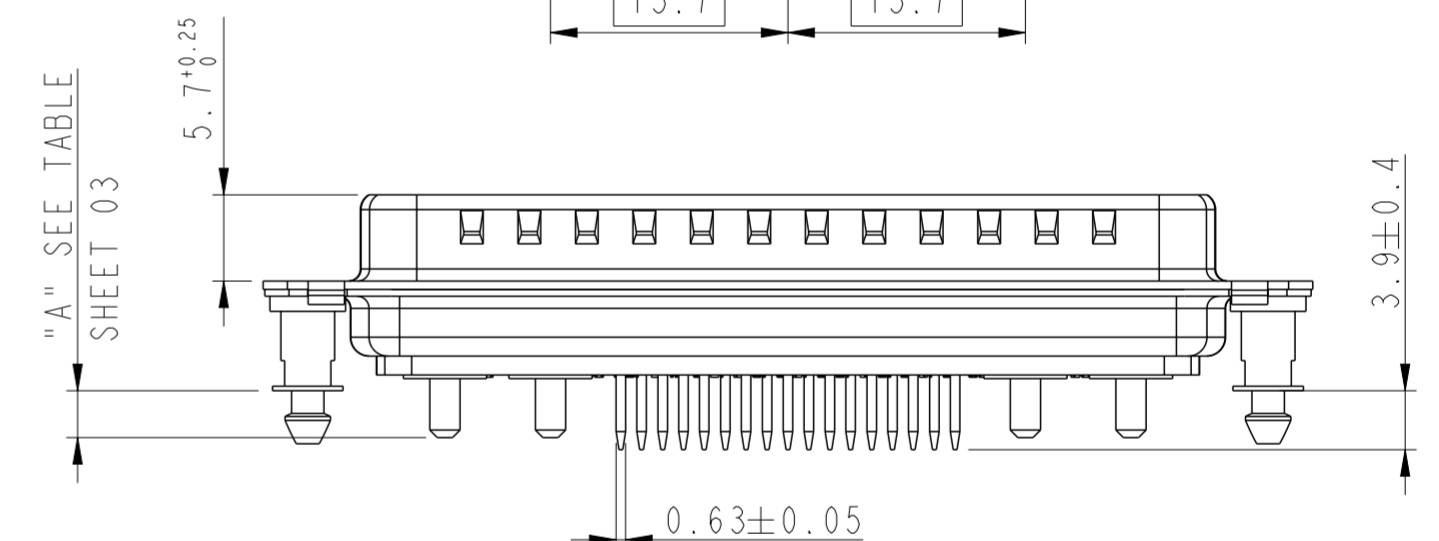
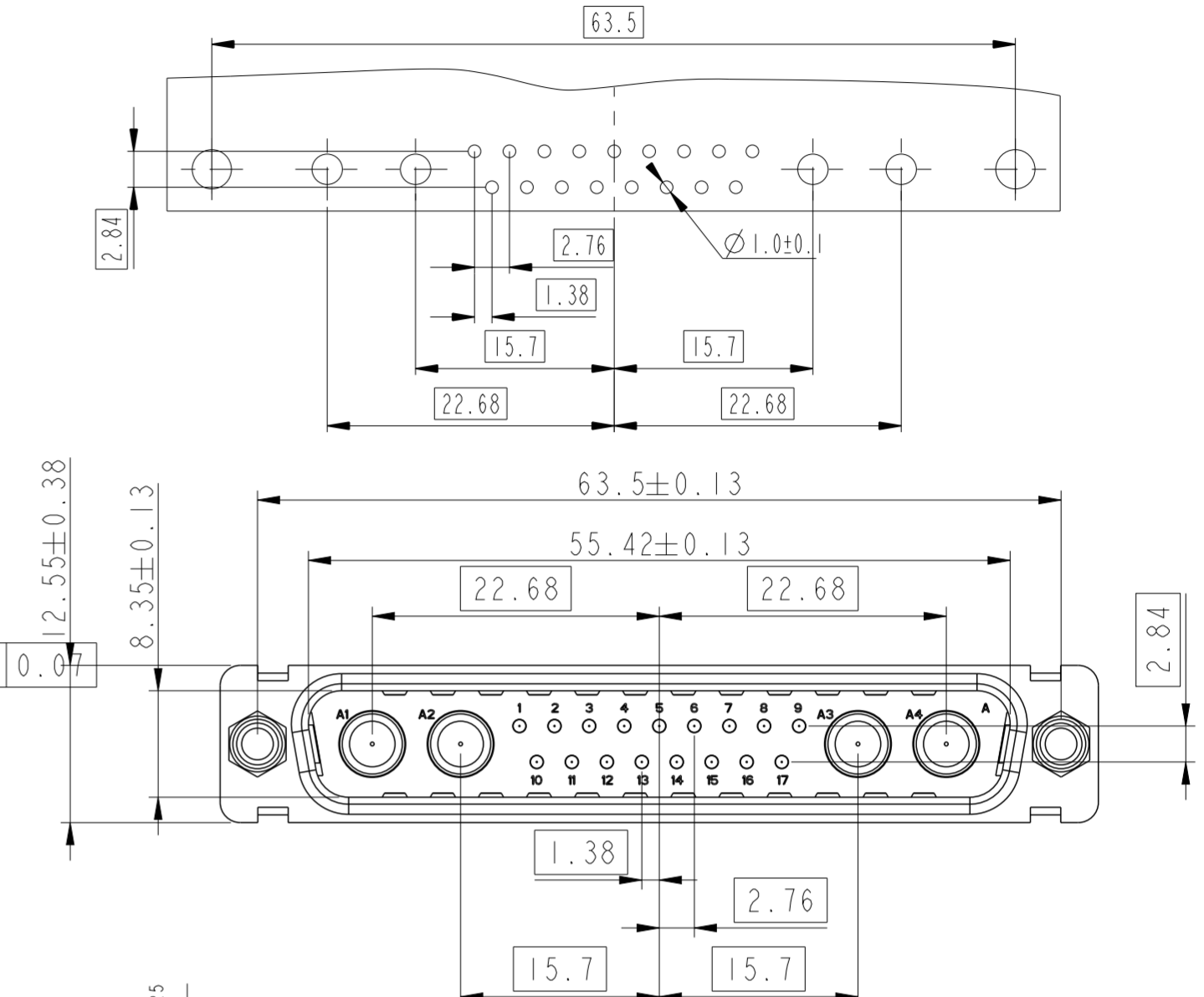
For PCB hole diameters see table 1 sheet 1



21WA4

LAYOUT AND CONNECTOR DIMENSIONS

For PCB hole diameters see table 1 sheet 1



Amphenol FCI

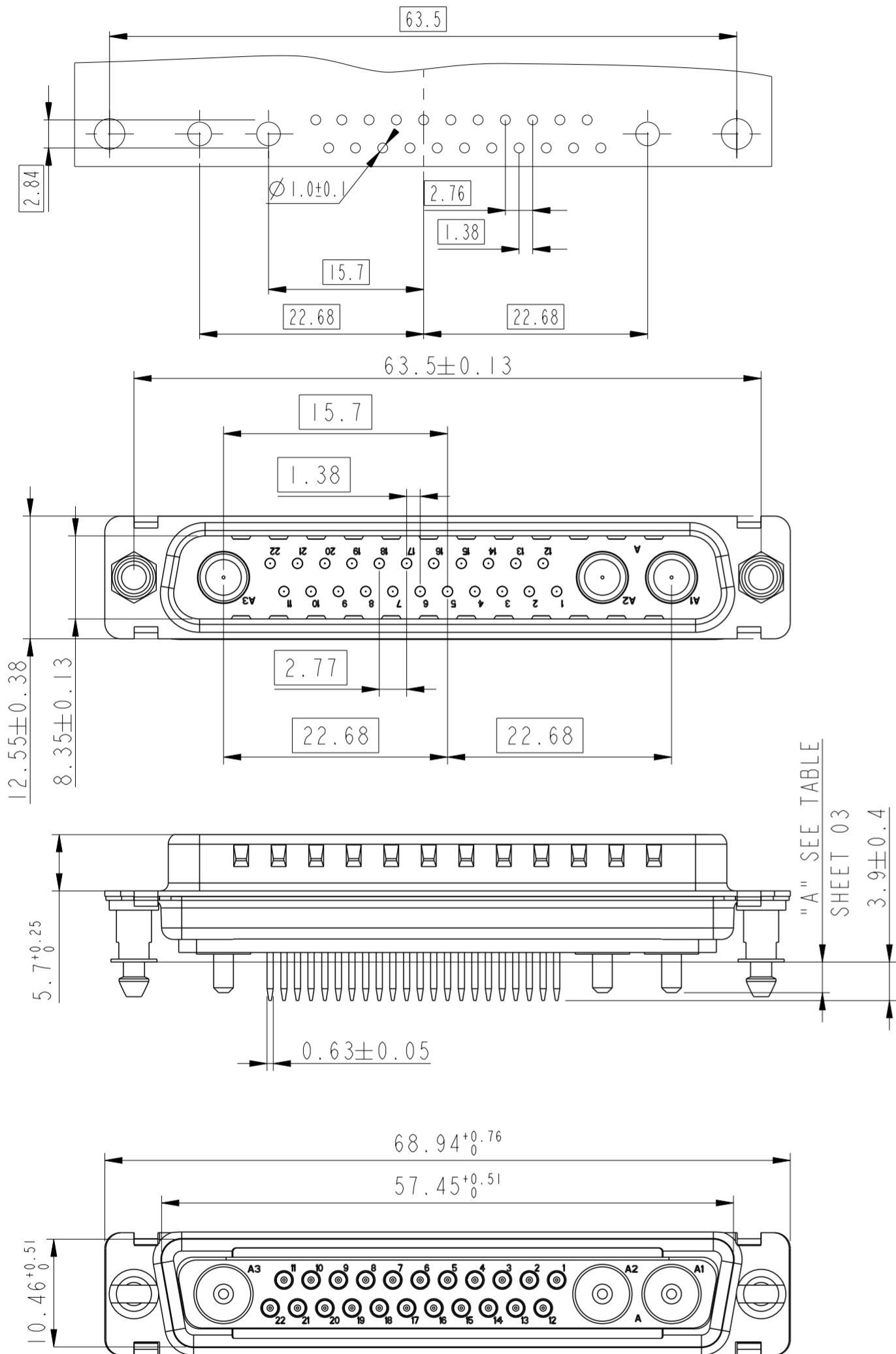
© 2016 AFCI

spec ref	dr	1, Product Eng	2015/06/12	projection	mm	size	A2	scale	2:1
tolerance std	eng	Gregar Mathew	2020/12/04		mm	ecn no	ELX-433028-1	rel level	Released
ISO 406	chr	-	2020/12/04						
ISO 1101	appr	Kuriakosa, San	2020/12/04	product family	-	rel level	Released		
surface	linear	0.X	±0.30	Amphenol FCI		title SUB MALE DW MIXED POWER STRAIGHT SOLDER		dwg no C01-8639-2306c	rev K
		0.XX	±0.10						
		0.XXX	±0.05						
ISO 1302	angular	0°	±°	cat. no.	-	Product - Customer Drw		sheet 5 of 7	

25W3

LAYOUT AND CONNECTOR DIMENSIONS

For PCB hole diameters see table I sheet I

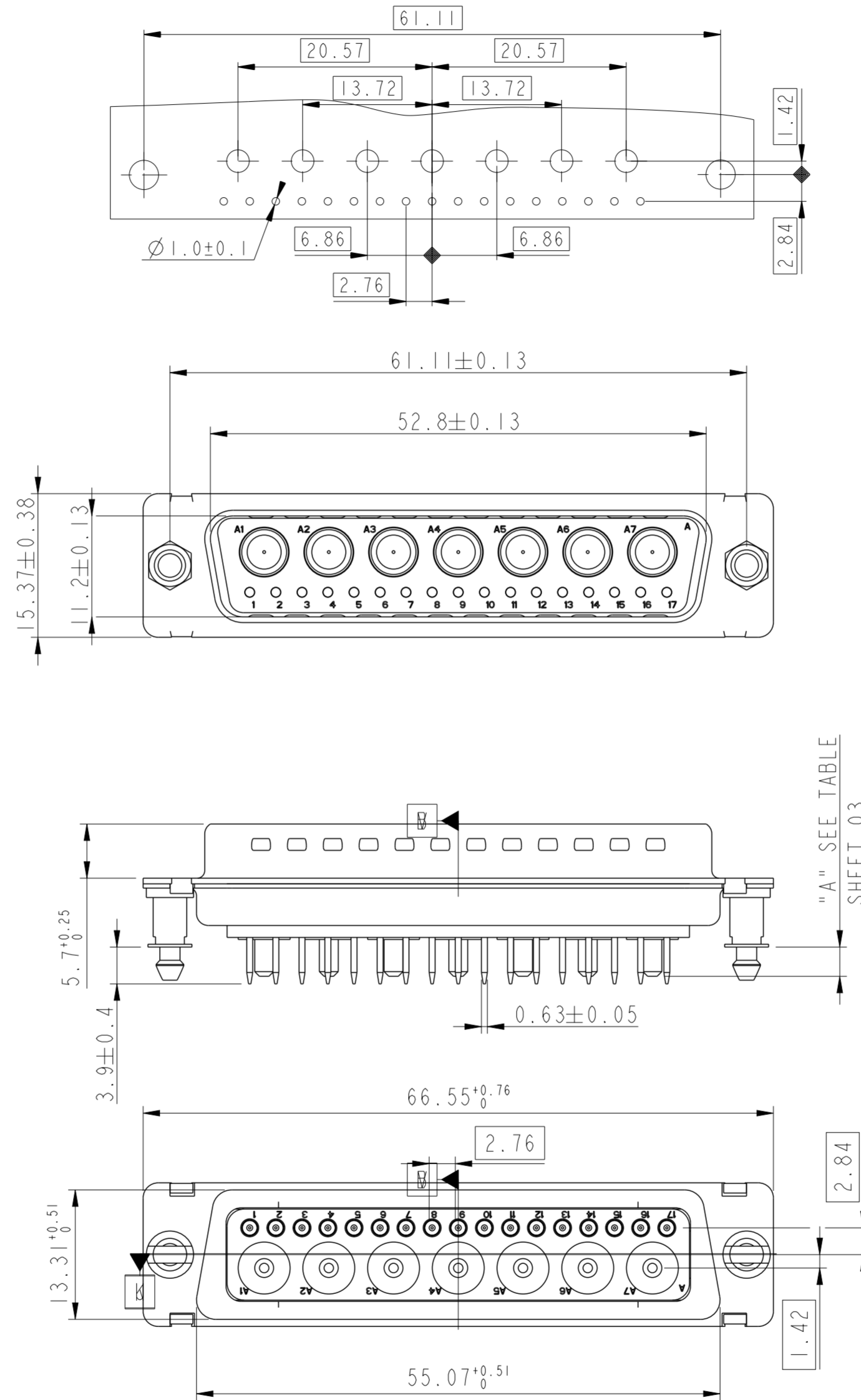


"A" SEE TABLE
SHEET 03
3.9 \pm 0.4

24W7

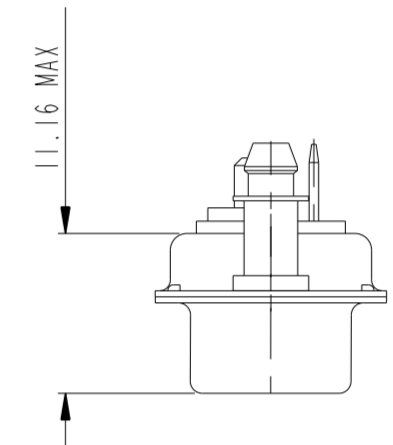
LAYOUT AND CONNECTOR DIMENSIONS

For PCB hole diameters see table I sheet I



"A" SEE TABLE
SHEET 03

SIDE VIEW FOR LAYOUT: D



spec ref	dr	1, Product Eng	2015/06/12	projection	mm	size	A2	scale	2:1
tolerance std	eng	Gregar Mathew	2020/12/04		mm	ecn no	ELX-433028-1	rel level	Released
ISO 406	chr	-	product family						
ISO 1101	appr	Kuriakosa, San	2020/12/04	TOLERANCES UNLESS OTHERWISE SPECIFIED		SUB MALE DW		cat. no.	-
surface	linear	0.X	± 0.30			MIXED POWER STRAIGHT SOLDER		dwg no	C01-8639-2306c
ISO 1302	angular	0°	\pm	Product - Customer Drw		sheet 6 of 7		rev	K

36W4

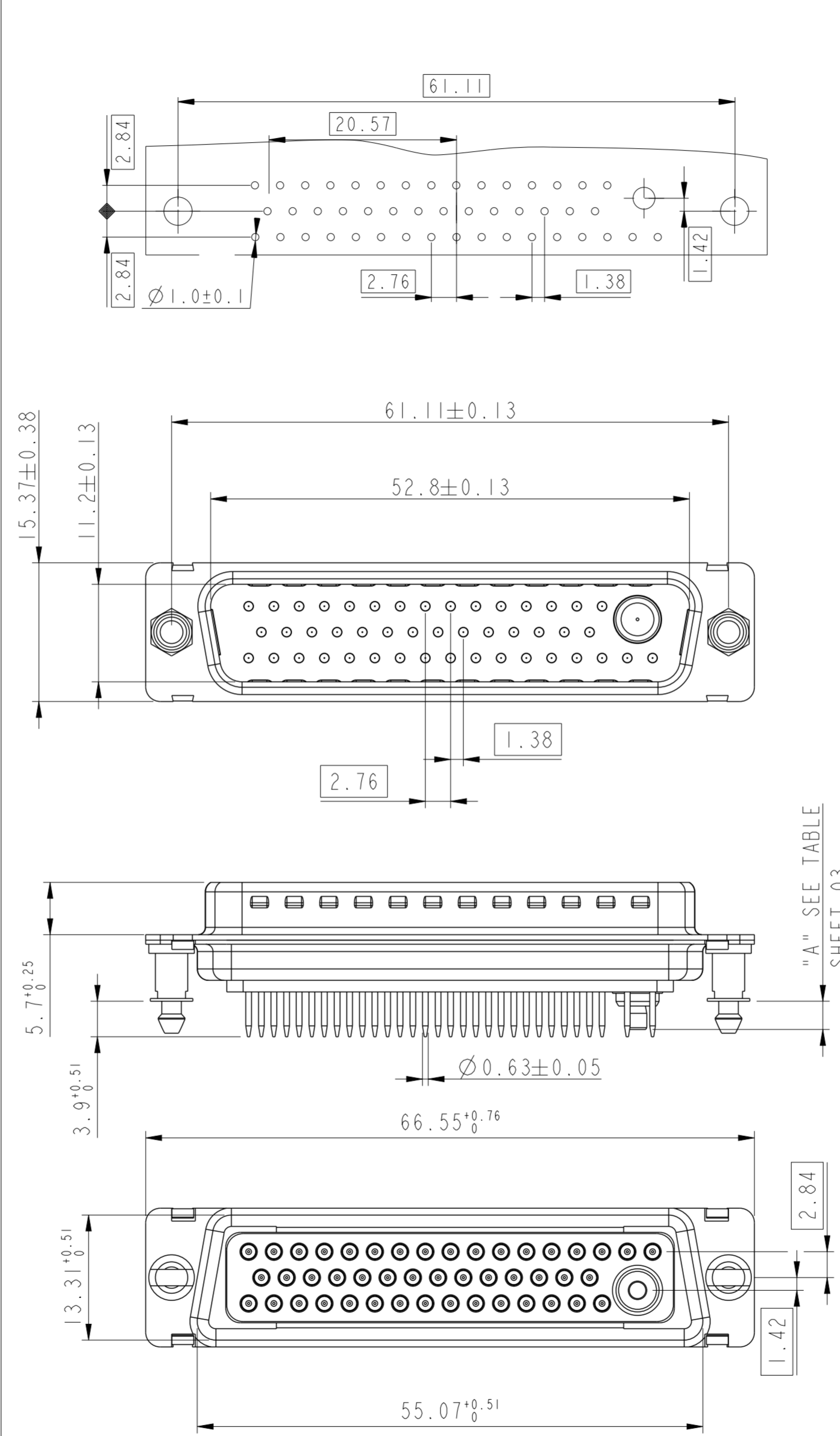
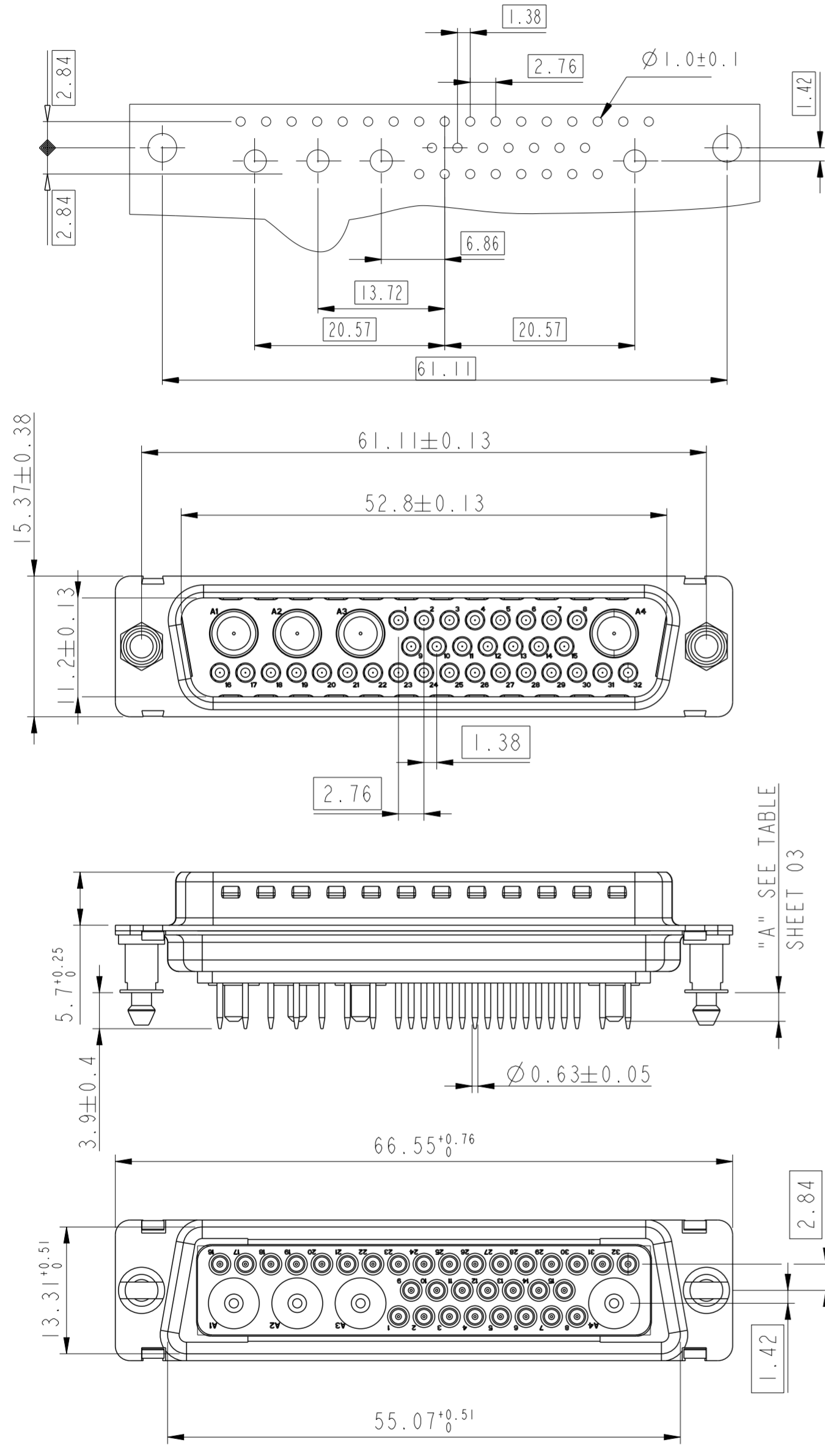
LAYOUT AND CONNECTOR DIMENSIONS

For PCB hole diameters see table I sheet I

47W1

LAYOUT AND CONNECTOR DIMENSIONS

For PCB hole diameters see table I sheet I



Floating signal contacts

spec ref	dr	1, Product Eng	2015/06/12	projection	mm	size	A2	scale	2:1		
tolerance std	eng	Gregar Mathew	2020/12/04			ecn no	ELX-33028-1				
ISO 406	chr	-	rel level			Released					
ISO 1101	appr	Kuriakosa, San	2020/12/04	product family	-						
surface	linear					title	SUB MALE DW				
ISO 1302	angular	0°	±0.30	0.XX	±0.10	0.XXX	±0.05	cat. no.	-	Product - Customer Drw	sheet 7 of 7
						MIXED POWER STRAIGHT SOLDER	dwg no	C01-8639-2306c		rev	K