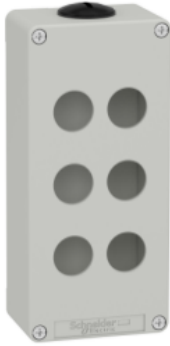


# Product data sheet

Specifications



Empty control station, Harmony XAP, XB2 SL, zinc alloy, grey, M25, 6 cut outs 22mm, 80x175x51,5mm

XAPD3206

## Main

Range of product	Harmony XAP
Product or component type	Die-cast empty control station
Device short name	XAPD
Product destination	For Ø 22 mm control and signalling units
Product front plate size	80 x 175 mm
Usable depth	49 mm
Number of cut-out	6 cut-outs
Colour of base of enclosure	Grey (RAL 7035)
Colour of cover	Grey (RAL 7035)
Material	Die cast zinc
Sale per indivisible quantity	1
IP degree of protection	IP65 conforming to EN/IEC 60529 and EN/IEC 60947-5-1

## Complementary

Number of vertical rows	2
Number of horizontal rows	3
Cut-out dimensions	Ø 22 mm
Control station type	Metal
Cable entry	2 x cable gland conforming to ISO
Thread type	M25 x 1.5
CAD overall width	80 mm
CAD overall height	175 mm
CAD overall depth	51.5 mm
Net weight	0.87 kg

## Environment

Protective treatment	TC
Ambient air temperature for storage	-40...70 °C

<b>Ambient air temperature for operation</b>	-25...70 °C
<b>Electrical shock protection class</b>	Class I conforming to EN/IEC 61140
<b>IK degree of protection</b>	IK07 conforming to EN/IEC 62262
<b>Resistance to chemical agents</b>	Special treatment can be obtained on request
<b>Product certifications</b>	EAC

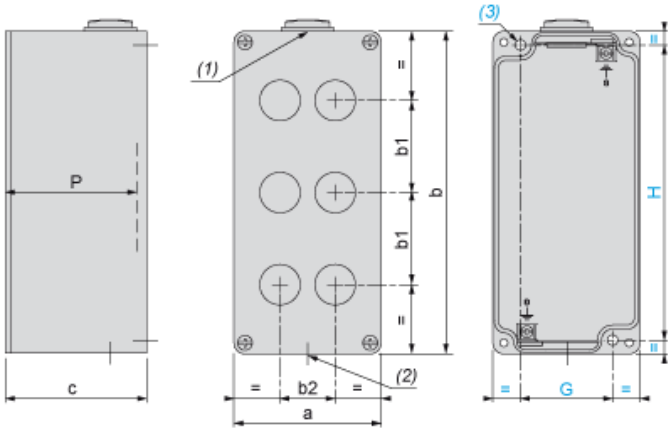
## Packing Units

<b>Unit Type of Package 1</b>	PCE
<b>Number of Units in Package 1</b>	1
<b>Package 1 Height</b>	9.0 cm
<b>Package 1 Width</b>	12.0 cm
<b>Package 1 Length</b>	18.5 cm
<b>Package 1 Weight</b>	970.0 g
<b>Unit Type of Package 2</b>	S02
<b>Number of Units in Package 2</b>	6
<b>Package 2 Height</b>	15.0 cm
<b>Package 2 Width</b>	30.0 cm
<b>Package 2 Length</b>	40.0 cm
<b>Package 2 Weight</b>	6.064 kg

## Offer Sustainability

<b>Sustainable offer status</b>	Green Premium product
<b>REACH Regulation</b>	<a href="#">REACH Declaration</a>
<b>REACH free of SVHC</b>	Yes
<b>EU RoHS Directive</b>	Pro-active compliance (Product out of EU RoHS legal scope) <a href="#">EU RoHS Declaration</a>
<b>Mercury free</b>	Yes
<b>China RoHS Regulation</b>	<a href="#">China RoHS declaration</a>
<b>RoHS exemption information</b>	<a href="#">Yes</a>
<b>Environmental Disclosure</b>	<a href="#">Product Environmental Profile</a>
<b>California proposition 65</b>	WARNING: This product can expose you to chemicals including: Lead and lead compounds, which is known to the State of California to cause cancer and birth defects or other reproductive harm. For more information go to <a href="http://www.P65Warnings.ca.gov">www.P65Warnings.ca.gov</a>

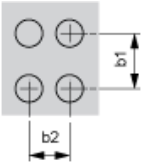
**Dimensions and Fixing**



- (1) : 1 hole, with blanking plug (protrusion 6 mm/0.24 in.), for cable gland ISO M25 x 1.5
- (2) : 1 hole, without blanking plug, for cable gland ISO M25 x 1.5
- (3) : 2 x Ø 5.6 mm/0.22 in. holes, depth 19 mm/0.75 in.
- P : Usable depth

a		b		c		G		H		P	
mm	in.	mm	in.	mm	in.	mm	in.	mm	in.	mm	in.
80	3.15	175	6.89	51.5	2.03	50	1.97	160	6.30	49	1.93

6 holes, Cut-out interaxis 22.5 mm ±0.20 mm / 0.885 in. ±0.0078 in. dimensions (vertical mounting)



- b1 Vertical interaxis: 40 mm/1.57 in.
- b2 Horizontal interaxis: 30 mm/1.18 in.

**Recommended replacement(s)**