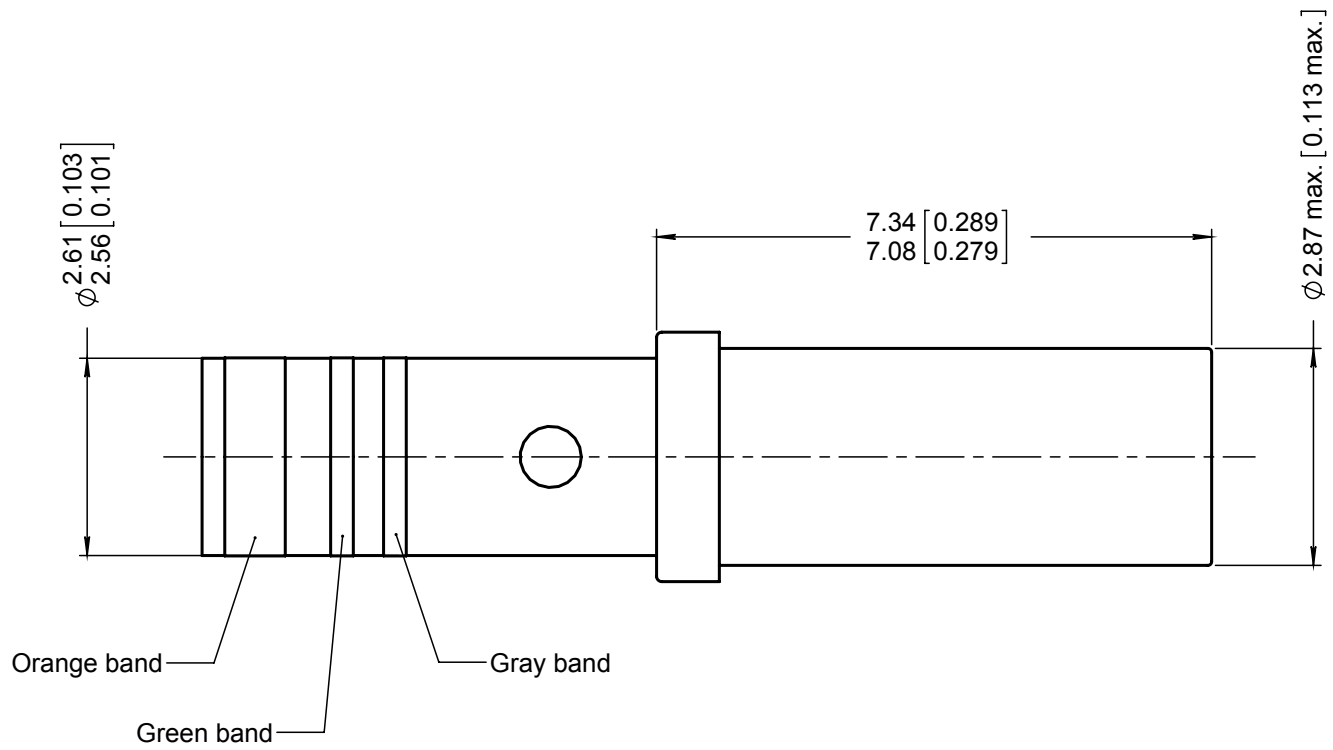


Series  
**38999**

SOCKET CRIMP CONTACT SIZE 16  
MIL-C-39029/57-358

Issue:  
Jan 14th, 2011

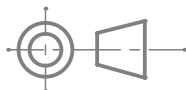
Page  
**1/1**



Contact according to MIL-C-39029/57-358

This information is given as an indication. In the continual goal to improve our products, we reserve the right to make any modifications judged necessary.

**DIMENSIONS : mm (inch are given for information only)**



4112\_9311

<b>CREATION</b>				
PEN: 2009-02-2641				
NOM: BECAVIN P.				
DATE: Jan 14th, 2011				
APPR.: SOURDILLON	/	/	/	/
Issue	Revisions	Name	Approved	