

# G-INS-M12-M68N-SNES-S - Cable gland

1424541

<https://www.phoenixcontact.com/in/products/1424541>

Please be informed that the data shown in this PDF document is generated from our Online Catalog. Please find the complete data in the user documentation. Our General Terms of Use for Downloads are valid.



Cable gland, material for screw connection: Stainless steel 1.4305, external cable diameter 3 mm ... 6.5 mm, shielding: no, connecting thread: M12 x 1.5, color: silver, with O-ring

## Commercial Data

Item number	1424541
Packing unit	1 pc
Minimum order quantity	1 pc
Sales Key	BF7
Product Key	BF7DAX
Catalog Page	Page 692 (C-2-2019)
GTIN	4055626374468
Weight per Piece (including packing)	17.2 g
Weight per Piece (excluding packing)	15.5 g
Customs tariff number	73269098
Country of origin	TR

# G-INS-M12-M68N-SNES-S - Cable gland

1424541

<https://www.phoenixcontact.com/in/products/1424541>

## Technical Data

### Mounting

Assembly instructions	1) Mount screw connection support in the housing using the correct torque 2) Insert cable 3) Tighten union nut using the correct torque
-----------------------	-----------------------------------------------------------------------------------------------------------------------------------------

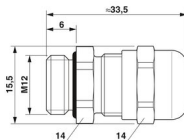
### Product properties

Product type	Full screw connection
No. of conductors	1
Manufacturer	BIMED
Manufacturer Designation	BMSC-0S
Shielded	no
Execution of the strain relief	A

### Characteristics

Category of shock impact	2
Design, Strain relief	A

### Dimensions

Dimensional drawing	
Length	33.5 mm
Length of the connecting thread	6 mm
Hole diameter	12.1 mm ... 12.3 mm
Wrench size, union nut	14 mm
Wrench size, support	14 mm
Hexagon angular dimension	15.5 mm
Thread type connection side	M12 x 1.5
Thread pitch	1.5 mm

### Material specifications

Color	silver
Seal material O-ring	Perbunan
Seal material Cable seal	CR
Material for screw connection	Stainless steel 1.4305
Material (GRP)	PA 6

### Cable/line

External cable diameter	3 mm ... 6.5 mm
	4 mm ... 6.5 mm (for UL 514 B)

# G-INS-M12-M68N-SNES-S - Cable gland



1424541

<https://www.phoenixcontact.com/in/products/1424541>

## Environmental and real-life conditions

### Ambient conditions

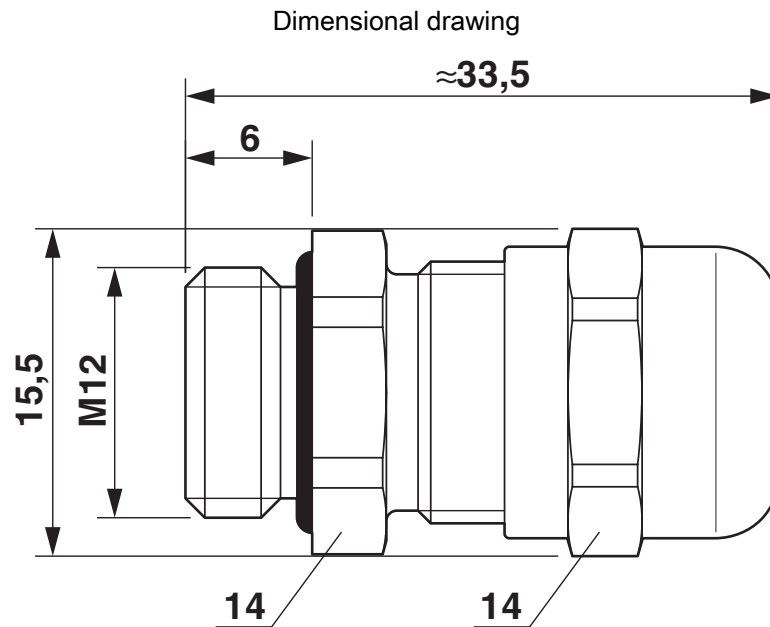
Degree of protection	IP68 (5 bar, 30 min.)
	IP66
	IP69
Ambient temperature (operation)	-40 °C ... 100 °C (static)

# G-INS-M12-M68N-SNES-S - Cable gland

1424541

<https://www.phoenixcontact.com/in/products/1424541>

## Drawings



Dimensional drawing

# G-INS-M12-M68N-SNES-S - Cable gland



1424541

<https://www.phoenixcontact.com/in/products/1424541>

## Approvals

To download certificates, visit the product detail page: <https://www.phoenixcontact.com/in/products/1424541>



**cUL Recognized**

Approval ID: E199260



**UL Recognized**

Approval ID: E199260

# G-INS-M12-M68N-SNES-S - Cable gland



1424541

<https://www.phoenixcontact.com/in/products/1424541>

## Classifications

### ECLASS

ECLASS-11.0	27144432
ECLASS-12.0	27140801
ECLASS-13.0	27140801

### ETIM

ETIM 8.0	EC000441
----------	----------

### UNSPSC

UNSPSC 21.0	39121300
-------------	----------

# G-INS-M12-M68N-SNES-S - Cable gland



1424541

<https://www.phoenixcontact.com/in/products/1424541>

## Environmental Product Compliance

China RoHS	Environmentally friendly use period: unlimited = EFUP-e
	No hazardous substances above threshold values

# G-INS-M12-M68N-SNES-S - Cable gland

1424541

<https://www.phoenixcontact.com/in/products/1424541>

## Accessories

### A-INL-M12-S-S - Counter nut

1425175

<https://www.phoenixcontact.com/in/products/1425175>

Counter nut, for threads M12 x 1.5, color: silver



---

### SEALING PLUG 5X12 RD - Closing cap

1400253

<https://www.phoenixcontact.com/in/products/1400253>

Closing cap, color: red



---

Phoenix Contact 2023 © - all rights reserved

<https://www.phoenixcontact.com>

PHOENIX CONTACT (I) Pvt. Ltd.

A-58/2, Okhla Industrial Area, Phase - II, New Delhi-110 020

+91.1275.71420

[info@phoenixcontact.co.in](mailto:info@phoenixcontact.co.in)