

# A 0,75-10 - Ferrule

3200234

<https://www.phoenixcontact.com/in/products/3200234>

Please be informed that the data shown in this PDF document is generated from our Online Catalog. Please find the complete data in the user documentation. Our General Terms of Use for Downloads are valid.



Ferrule, length: 10 mm, color: silver

## Commercial Data

Item number	3200234
Packing unit	1,000 pc
Minimum order quantity	1,000 pc
Sales Key	BH3
Product Key	BH3412
Catalog Page	Page 480 (C-3-2019)
GTIN	4017918093884
Weight per Piece (including packing)	0.063 g
Weight per Piece (excluding packing)	0.063 g
Customs tariff number	85369010
Country of origin	DE

# A 0,75-10 - Ferrule

3200234

<https://www.phoenixcontact.com/in/products/3200234>

## Technical Data

### Product properties

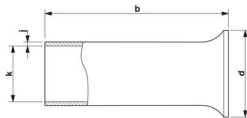
Product type	Cable end sleeve
Conductor category	stranded conductors, class 2, 5, 6 / B, C, K, M

### Connection data

#### Conductor connection

Conductor cross section flexible max.	0.75 mm <sup>2</sup>
Conductor cross section AWG max.	18
Stripping length	10 mm

### Dimensions

Dimensional drawing	
Length	10 mm
Maximum stripping length	10 mm
Ferrule diameter	1.2 mm
Sleeve wall thickness	0.15 mm
Inner dimensions of the insulating collar	2.3 mm

### Material specifications

Color	silver
Material	CU-DHP
Coating	tin-plated (galvanic)

### Environmental and real-life conditions

#### Ambient conditions

Permanent temperature	105 °C
Short-term temperature	120 °C

### Standards and regulations

Design according to standard	DIN 46228-1, UL 486F-A
------------------------------	------------------------

# A 0,75-10 - Ferrule

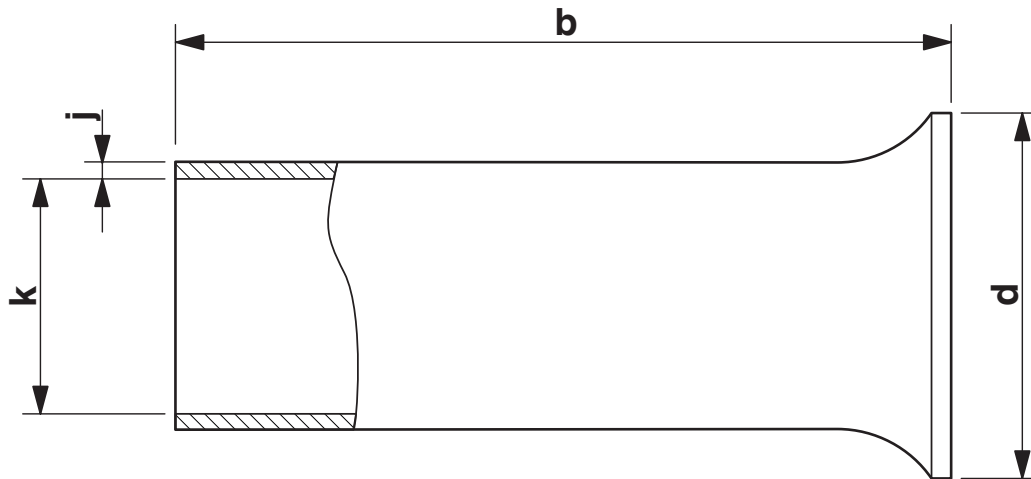
3200234

<https://www.phoenixcontact.com/in/products/3200234>



## Drawings

Dimensional drawing



Sleeve length (b), insulating collar inner dimension (d), sleeve diameter (k), sleeve wall thickness (j)

# A 0,75-10 - Ferrule

3200234

<https://www.phoenixcontact.com/in/products/3200234>



## Approvals

To download certificates, visit the product detail page: <https://www.phoenixcontact.com/in/products/3200234>



**UL Listed**

Approval ID: E488001



**cUL Listed**

Approval ID: E488001

# A 0,75-10 - Ferrule

3200234

<https://www.phoenixcontact.com/in/products/3200234>



## Classifications

### ECLASS

ECLASS-11.0	27400201
ECLASS-13.0	27400201
ECLASS-12.0	27400201

### ETIM

ETIM 8.0	EC000005
----------	----------

### UNSPSC

UNSPSC 21.0	27121700
-------------	----------

# A 0,75-10 - Ferrule

3200234

<https://www.phoenixcontact.com/in/products/3200234>



## Environmental Product Compliance

China RoHS	Environmentally friendly use period: unlimited = EFUP-e No hazardous substances above threshold values
------------	---

# A 0,75-10 - Ferrule

3200234

<https://www.phoenixcontact.com/in/products/3200234>



## Accessories

### CRIMPFOX CENTRUS 6S - Crimping pliers

1213144

<https://www.phoenixcontact.com/in/products/1213144>



Crimping pliers, for uninsulated and insulated ferrules, DIN 46228 Part 1 and 4, from 0.14 mm<sup>2</sup> ... 6 mm<sup>2</sup>, also for TWIN ferrules up to 2 x 4 mm<sup>2</sup>, automatic cross section adjustment, lateral insertion, equipped with fall protection

---

### CRIMPFOX CENTRUS 6H - Crimping pliers

1213146

<https://www.phoenixcontact.com/in/products/1213146>



Crimping pliers, for uninsulated and insulated ferrules, DIN 46228 Part 1 and 4, from 0.14 mm<sup>2</sup> ... 6 mm<sup>2</sup>, also for TWIN ferrules up to 2 x 4 mm<sup>2</sup>, automatic cross section adjustment, lateral insertion, equipped with fall protection

# A 0,75-10 - Ferrule

3200234

<https://www.phoenixcontact.com/in/products/3200234>

## CRIMPFOX CENTRUS 10S - Crimping pliers

1213154

<https://www.phoenixcontact.com/in/products/1213154>



Crimping pliers, for uninsulated and insulated ferrules, DIN 46228 Part 1 and 4, from 0.14 mm<sup>2</sup> ... 10 mm<sup>2</sup>, also for TWIN ferrules up to 2 x 4 mm<sup>2</sup>, automatic cross section adjustment, lateral insertion, equipped with fall protection

---

## CRIMPFOX CENTRUS 10H - Crimping pliers

1213156

<https://www.phoenixcontact.com/in/products/1213156>



Crimping pliers, for uninsulated and insulated ferrules, DIN 46228 Part 1 and 4, from 0.14 mm<sup>2</sup> ... 10 mm<sup>2</sup>, also for TWIN ferrules up to 2 x 4 mm<sup>2</sup>, automatic cross section adjustment, lateral insertion, equipped with fall protection



## A 0,75-10 - Ferrule

3200234

<https://www.phoenixcontact.com/in/products/3200234>

### CRIMPFOX 10S - Crimping pliers

1212045

<https://www.phoenixcontact.com/in/products/1212045>



Crimping pliers, for ferrules without insulating collar according to DIN 46228 Part 1 and ferrules with insulating collar according to DIN 46228 Part 4, 0.14 mm<sup>2</sup> ... 10 mm<sup>2</sup>, unlockable pressure lock, lateral entry

---

### CRIMPFOX 6H - Crimping pliers

1212046

<https://www.phoenixcontact.com/in/products/1212046>



Crimping pliers, for ferrules without insulating collar according to DIN 46228 Part 1 and ferrules with insulating collar according to DIN 46228 Part 4, 0.14 mm<sup>2</sup> ... 6 mm<sup>2</sup>, unlockable pressure lock, lateral entry

# A 0,75-10 - Ferrule

3200234

<https://www.phoenixcontact.com/in/products/3200234>

## CRIMPFOX 2,5-M - Crimping pliers

1212719

<https://www.phoenixcontact.com/in/products/1212719>



Crimping pliers, for ferrules without insulating collar according to DIN 46228 Part 1 and ferrules with insulating collar according to DIN 46228 Part 4, 0.25 mm<sup>2</sup> ... 2.5 mm<sup>2</sup>, lateral entry, trapezoidal crimp

---

## CRIMPFOX 6-M - Crimping pliers

1212720

<https://www.phoenixcontact.com/in/products/1212720>



Crimping pliers, for ferrules without insulating collar according to DIN 46228 Part 1 and ferrules with insulating collar according to DIN 46228 Part 4, 0.25 mm<sup>2</sup> ... 6.0 mm<sup>2</sup>, lateral entry, trapezoidal crimp

# A 0,75-10 - Ferrule

3200234

<https://www.phoenixcontact.com/in/products/3200234>



## CRIMPFOX 6 - Crimping pliers

1212034

<https://www.phoenixcontact.com/in/products/1212034>



Crimping pliers, for ferrules without insulating collar according to DIN 46228 Part 1 and ferrules with insulating collar according to DIN 46228 Part 4, 0.25 mm<sup>2</sup> ... 6.0 mm<sup>2</sup>, lateral entry, trapezoidal crimp

---

## CRIMPFOX 6T - Crimping pliers

1212037

<https://www.phoenixcontact.com/in/products/1212037>



Crimping pliers, for ferrules without insulating collar according to DIN 46228 Part 1 and ferrules with insulating collar according to DIN 46228 Part 4, 0.25 mm<sup>2</sup> ... 6 mm<sup>2</sup>, lateral entry, trapezoidal crimp

# A 0,75-10 - Ferrule

3200234

<https://www.phoenixcontact.com/in/products/3200234>

## CRIMPFOX 6T-F - Crimping pliers

1212038

<https://www.phoenixcontact.com/in/products/1212038>



Crimping pliers, for ferrules without insulating collar according to DIN 46228 Part 1 and ferrules with insulating collar according to DIN 46228 Part 4, 0.25 mm<sup>2</sup> ... 6 mm<sup>2</sup>, front entry, trapezoidal crimp

---

## CRIMPFOX 6S-F - Crimping pliers

1212043

<https://www.phoenixcontact.com/in/products/1212043>



Crimping pliers, for ferrules without insulating collar according to DIN 46228 Part 1 and ferrules with insulating collar according to DIN 46228 Part 4, 0.5 mm<sup>2</sup> ... 6 mm<sup>2</sup>, front entry, square crimp

# A 0,75-10 - Ferrule

3200234

<https://www.phoenixcontact.com/in/products/3200234>



## CRIMPFOX 16 S - Crimping pliers

1207983

<https://www.phoenixcontact.com/in/products/1207983>



Crimping pliers for ferrules up to 16 mm<sup>2</sup>

---

Phoenix Contact 2023 © - all rights reserved

<https://www.phoenixcontact.com>

PHOENIX CONTACT (I) Pvt. Ltd.

A-58/2, Okhla Industrial Area, Phase - II, New Delhi-110 020

+91.1275.71420

[info@phoenixcontact.co.in](mailto:info@phoenixcontact.co.in)