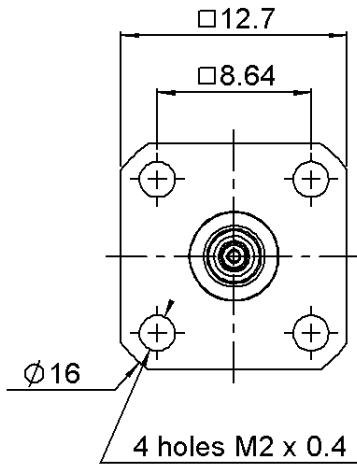


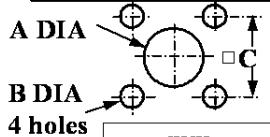
EMBASE A PLATINE CARREE
SOLDER CABLE TFLEX-405

R324.256.L01

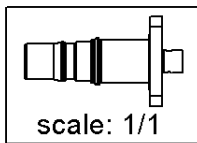
Series : QRE



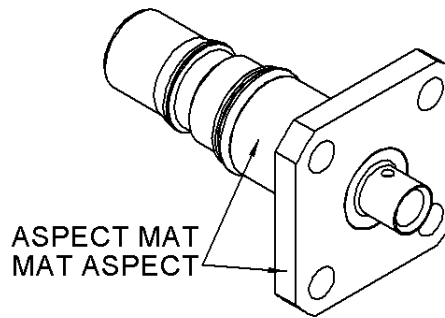
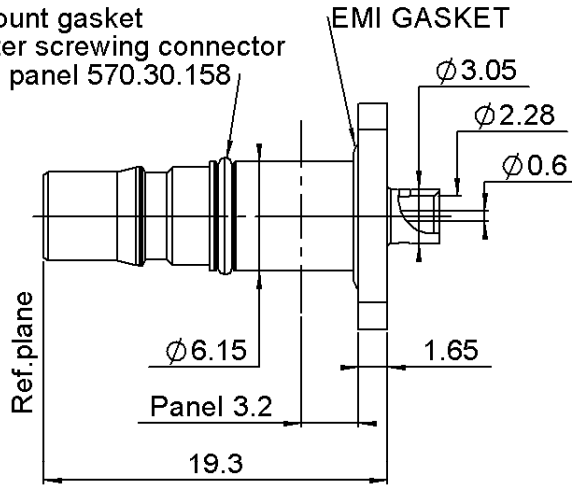
PANEL CUT OUT



	mm	
	Maxi	mini
A	6.35	6.25
B	2.6	2.5
C	8.69	8.59



mount gasket after screwing connector on panel 570.30.158



All dimensions are in mm.



COMPONENTS	MATERIALS	PLATING (µm)
BODY	INOX (316L) , LAITON	PASSIVE OR
CENTER CONTACT	CUPRO BERYLLIUM	OR 2.5 SUR NICKEL 2
OUTER CONTACT		
INSULATOR	PTFE	
GASKET	FLUOROSILICONE	
OTHERS PARTS	SILICONE CuAg(conducteur)	
-	-	-
-	-	-

Issue : 0822 A

In the effort to improve our products, we reserve the right to make changes judged to be necessary.



EMBASE A PLATINE CARREE

R324.256.L01

SOLDER CABLE TFLEX-405

Series : QRE

PACKAGING

Standard	Unit	Other
100	'W' option	Contact us

SPECIFICATION

ELECTRICAL CHARACTERISTICS

Impedance	50	Ω
Frequency	0-12.4	GHz
VSWR	1.05 + 0.0150	x F(GHz) Maxi
Insertion loss	.07	\sqrt{F} (GHz) dB Maxi
RF leakage	- (- F(GHz)) dB Maxi
Voltage rating	335	Veff Maxi
Dielectric withstanding voltage	1000	Veff mini
Insulation resistance	5000	M Ω mini

CABLE ASSEMBLY

Stripping	a	b	c	d	e	f
mm	3.17	0.00	0.00	0.00	0.00	0.00

Assembly instruction :

Recommended cable(s)
 BELN 1671A
 KS 1
 RG 405

Characteristics indicated on this data sheet are those that can be achieved with the highest performance cable. Intrinsic limitations of the cable may diminish the performance of the assembly

Cable retention

- pull off **130** N mini
 - torque **N/A** N.cm

MECHANICAL CHARACTERISTICS

Center contact retention		
Axial force – Mating end	18	N mini
Axial force – Opposite end	18	N mini
Torque	N/A	N.cm mini

TOOLING

Part Number	Description	Hexagon
.	.	.
R282.051.000	STRIPPING TOOL	
R282.862.090	CONTROL GAUGE	
R282.744.220	SOLDERING POSITIONER (CENTER CONTACT)	
R282.740.000	SOLDERING MOUNTING	
R282.063.000	POINTER GAUGE	

Recommended torque		
Mating	N/A	N.cm
Panel nut	N/A	N.cm
Clamp nut	N/A	N.cm
A/F clamp nut	0.0000	mm

Mating life	100	Cycles mini
Weight	3.9700	g

ENVIRONMENTAL

Operating temperature	-55/+125	$^{\circ}$ C
Hermetic seal	N/A	Atm.cm3/s
Panel leakage	N/A	

OTHER CHARACTERISTICS

RF leakage: 95 @ 3GHz/ 80 @ 12.4GHz
 For information : O-ring gasket must be changed after 50 mating cycles

Issue : 0822 A

In the effort to improve our products, we reserve the right to make changes judged to be necessary.



RADIALL [®]