

SACC-M12FR-5CON-PG 9-SH - Connector



1430433

<https://www.phoenixcontact.com/in/products/1430433>

Please be informed that the data shown in this PDF document is generated from our Online Catalog. Please find the complete data in the user documentation. Our General Terms of Use for Downloads are valid.

Connector, Universal, 5-position, shielded, Socket angled M12, A, Screw connection, knurl material: Brass, nickel-plated, cable gland Pg9, external cable diameter 6 mm ... 8 mm



Your advantages

- Safe use in the field, thanks to a high degree of protection
- Screw connection: proven connection technology for a large selection of different conductors
- Reliable signal transmission – 360° shielding in environments with electromagnetic interference

Commercial Data

| | |
|--------------------------------------|--------------------|
| Item number | 1430433 |
| Packing unit | 1 pc |
| Minimum order quantity | 1 pc |
| Sales Key | BF2 |
| Product Key | BF2CBA |
| Catalog Page | Page 24 (C-2-2019) |
| GTIN | 4046356322706 |
| Weight per Piece (including packing) | 72.2 g |
| Weight per Piece (excluding packing) | 72 g |
| Customs tariff number | 85366990 |
| Country of origin | CN |

1430433

<https://www.phoenixcontact.com/in/products/1430433>

Technical Data

Notes

| | |
|---------|--|
| General | NOTE: Observe the permissible bending radii when laying conductors, since the degree of protection may be put in jeopardy if the bending forces are too high. Alleviate mechanical loads upstream of the connector, e.g. by using cable ties. |
|---------|--|

Mounting

| | |
|-----------------------|---|
| Assembly instructions | The connector pin assignment can be rotated 90° to the cable outlet |
| Connection method | Screw connection |

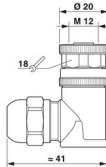
Product properties

| | |
|----------------------|---------------------------------|
| Product type | Circular connector (cable-side) |
| Sensor type | Universal |
| Number of positions | 5 |
| No. of cable outlets | 1 |
| Shielded | yes |
| Coding | A |
| Cable outlet | angled |
| Pg screw connection | Pg9 |

Insulation characteristics

| | |
|----------------------|----|
| Overvoltage category | II |
| Degree of pollution | 3 |

Dimensions

| | |
|---------------------|--|
| Dimensional drawing |  |
| Length | 48.3 mm |

External dimensions

| | |
|------------------|---------------|
| Outside diameter | 6 mm ... 8 mm |
|------------------|---------------|

Housing

| | |
|------------------|-------|
| Diameter housing | 20 mm |
|------------------|-------|

Material specifications

| | |
|--|----------------------|
| Flammability rating according to UL 94 | HB |
| Seal material | NBR |
| Material of grip body | Brass, nickel-plated |

SACC-M12FR-5CON-PG 9-SH - Connector



1430433

<https://www.phoenixcontact.com/in/products/1430433>

| | |
|-------------------------------|----------------------|
| Contact material | CuZn |
| Contact surface material | Au |
| Contact carrier material | PA |
| Material for screw connection | Brass, nickel-plated |

Connection data

Conductor connection

| | |
|---|---|
| Connection method | Screw connection |
| Connection cross section | 0.25 mm ² ... 0.75 mm ² (without ferrule) |
| | 0.14 mm ² ... 0.75 mm ² (with ferrule) |
| | 0.25 mm ² ... 0.75 mm ² (solid) |
| Connection cross section AWG | 24 ... 18 (without ferrule) |
| | 26 ... 20 (with ferrule) |
| Stripping length of the individual wire | 5 mm |
| Tightening torque | 0.4 Nm (M12 knurl) |
| | 0.2 Nm (Screw terminal blocks) |
| | 1 Nm (Pressure nut with coupling sleeve) |

Electrical properties

| | |
|--------------------------------|----------|
| Rated surge voltage | 1.5 kV |
| Contact resistance | ≤ 3 mΩ |
| Insulation resistance | ≥ 100 MΩ |
| Nominal voltage U _N | 48 V AC |
| | 60 V DC |
| Nominal current I _N | 4 A |

Mechanical properties

Mechanical data

| | |
|-----------------------------|-------|
| Insertion/withdrawal cycles | ≥ 100 |
|-----------------------------|-------|

Connector

Connection 1

| | |
|-------------------|--------|
| Head design | Socket |
| Head cable outlet | angled |
| Head thread type | M12 |
| Coding | A |

Cable/line

| | |
|---|-----------|
| Signal type/category | Universal |
| Stripping length of the individual wire | 5 mm |

Environmental and real-life conditions

Ambient conditions

SACC-M12FR-5CON-PG 9-SH - Connector



1430433

<https://www.phoenixcontact.com/in/products/1430433>

| | |
|---------------------------------|----------------------------------|
| Degree of protection | IP67 |
| Ambient temperature (operation) | -40 °C ... 85 °C (Plug / socket) |

Standards and regulations

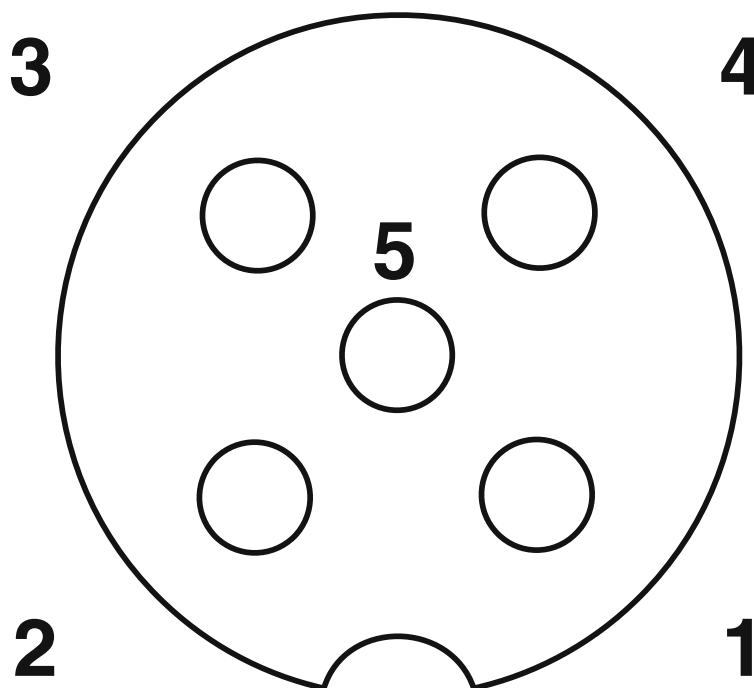
| | |
|--------------------------|-----------------|
| Standards/specifications | IEC 61076-2-101 |
|--------------------------|-----------------|

1430433

<https://www.phoenixcontact.com/in/products/1430433>

Drawings

Schematic diagram



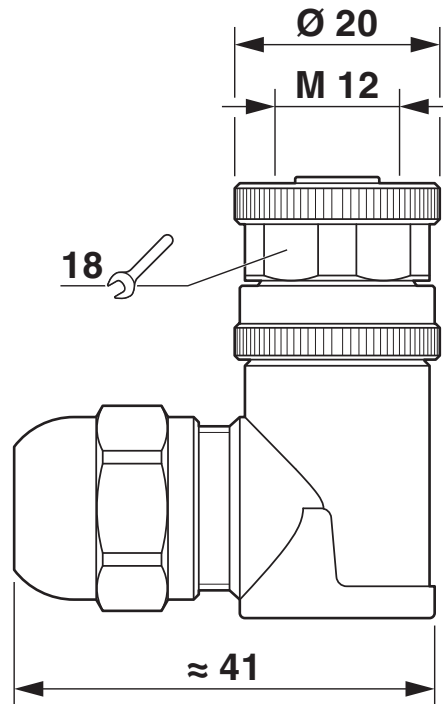
Pin assignment M12 socket, 5-pos., A-coded, socket side view

SACC-M12FR-5CON-PG 9-SH - Connector

1430433

<https://www.phoenixcontact.com/in/products/1430433>

Dimensional drawing



M12 x 1 socket, angled, shielded

SACC-M12FR-5CON-PG 9-SH - Connector




1430433

<https://www.phoenixcontact.com/in/products/1430433>

Approvals

To download certificates, visit the product detail page: <https://www.phoenixcontact.com/in/products/1430433>

|  cUL Recognized Approval ID: FILE E 221474 | | | | |
|---|-----------------------|-----------------------|-------------------|-----------------------------|
| | Nominal Voltage U_N | Nominal Current I_N | Cross Section AWG | Cross Section mm^2 |
| | 60 V | 4 A | - | - |

|  UL Recognized Approval ID: FILE E 221474 | | | | |
|--|-----------------------|-----------------------|-------------------|-----------------------------|
| | Nominal Voltage U_N | Nominal Current I_N | Cross Section AWG | Cross Section mm^2 |
| | 60 V | 4 A | - | - |

SACC-M12FR-5CON-PG 9-SH - Connector



1430433

<https://www.phoenixcontact.com/in/products/1430433>

Classifications

ECLASS

| | |
|-------------|----------|
| ECLASS-11.0 | 27440102 |
| ECLASS-12.0 | 27440116 |
| ECLASS-13.0 | 27440116 |

ETIM

| | |
|----------|----------|
| ETIM 8.0 | EC002635 |
|----------|----------|

UNSPSC

| | |
|-------------|----------|
| UNSPSC 21.0 | 39121400 |
|-------------|----------|

SACC-M12FR-5CON-PG 9-SH - Connector



1430433

<https://www.phoenixcontact.com/in/products/1430433>

Environmental Product Compliance

| | |
|------------|--|
| REACH SVHC | Lead 7439-92-1 |
| China RoHS | Environmentally Friendly Use Period = 50 years |
| | For information on hazardous substances, refer to the manufacturer's declaration available under "Downloads" |

SACC-M12FR-5CON-PG 9-SH - Connector



1430433

<https://www.phoenixcontact.com/in/products/1430433>

Accessories

TSD 04 SAC - Torque screwdriver

1208429

<https://www.phoenixcontact.com/in/products/1208429>



Torque screwdriver, with preset torque of 0.4 Nm and 4 mm hexagonal drive for M12 connectors

SACC BIT M12-D20 - Tool

1208445

<https://www.phoenixcontact.com/in/products/1208445>



Nut for assembling M12 connectors for assembly with a knurl diameter of 20 mm, for 4 mm hexagonal drive

SACC-M12FR-5CON-PG 9-SH - Connector



1430433

<https://www.phoenixcontact.com/in/products/1430433>

TSD-M 1,2NM - Torque screwdriver

1212224

<https://www.phoenixcontact.com/in/products/1212224>



Torque screw driver, accuracy as per EN ISO 6789 standard, adjustable from 0.3 - 1.2 Nm

TSD-M SAC-BIT ADAPTER - Adapter insert

1212600

<https://www.phoenixcontact.com/in/products/1212600>



Adapter bit for TSD-M...torque tools, E6.3-1/4" drive with 4 mm hexagon to accommodate SAC bits

SACC-M12FR-5CON-PG 9-SH - Connector

1430433

<https://www.phoenixcontact.com/in/products/1430433>



PROT-M12 MS-PA-CHAIN - Screw plug

1430899

<https://www.phoenixcontact.com/in/products/1430899>

M12 sealing cap with fixing band, for sensor cables, for free M12 sockets



SAC-5P-100,0-PUR/SH-0,34 - Cable reel

1501728

<https://www.phoenixcontact.com/in/products/1501728>

By the meter, Cable reel, shielded, PUR halogen-free, black-gray RAL 7021, 5-wire, color single wire: brown, white, blue, black, gray, cable length: 100 m



SACC-M12FR-5CON-PG 9-SH - Connector

1430433

<https://www.phoenixcontact.com/in/products/1430433>

A 0,25- 5 - Ferrule

3202465

<https://www.phoenixcontact.com/in/products/3202465>



Ferrule, length: 5 mm, color: silver

CRIMPFOX 6H - Crimping pliers

1212046

<https://www.phoenixcontact.com/in/products/1212046>



Crimping pliers, for ferrules without insulating collar according to DIN 46228 Part 1 and ferrules with insulating collar according to DIN 46228 Part 4, 0.14 mm² ... 6 mm², unlockable pressure lock, lateral entry

SACC-M12FR-5CON-PG 9-SH - Connector

1430433

<https://www.phoenixcontact.com/in/products/1430433>

WIREFOX SAC - Stripping tool

1212623

<https://www.phoenixcontact.com/in/products/1212623>



Stripping pliers, for halogen-free sensor/actuator cables (SAC cables), with PUR and PVC insulation, from Ø of 4.4 to 7 mm, any stripping length

VS-CABLE-STRIP-VARIO - Stripping tool

1657407

<https://www.phoenixcontact.com/in/products/1657407>



Stripping tool, for the multi-level stripping of shielded cables

SACC-M12FR-5CON-PG 9-SH - Connector

1430433

<https://www.phoenixcontact.com/in/products/1430433>



SZF 1-0,6X3,5 - Screwdriver

1204517

<https://www.phoenixcontact.com/in/products/1204517>



Actuation tool, for ST terminal blocks, also suitable for use as a bladed screwdriver, size: 0.6 x 3.5 x 100 mm, 2-component grip, with non-slip grip

Phoenix Contact 2023 © - all rights reserved

<https://www.phoenixcontact.com>

PHOENIX CONTACT (I) Pvt. Ltd.

A-58/2, Okhla Industrial Area, Phase - II, New Delhi-110 020

+91.1275.71420

info@phoenixcontact.co.in